

INSTALLATION GUIDE

5/6" LED RETROFIT SMOOTH DOWNLIGHT

IMPORTANT: Please read carefully and save these instructions, as you may need them at a later date. When using electrical equipment, basic safety precautions should always be followed as below:

READ AND FOLLOW BELOW SAFETY INSTRUCTIONS

GENERAL: All electrical connections must be in accordance with local and National Electrical Code (N.E.C) standards, LED Retrofit Kit installation requires knowledge of luminaire electrical systems. If you are unfamiliar with proper electrical wiring connections obtain the services of a qualified electrician.

1. Do not make or alter any open holes in an enclosure of wiring or electrical components during kit installation.
2. To prevent wiring damage or abrasion do not expose wiring to edges of sheet metal or other sharp objects.
3. Suitable for wet locations.
4. Supply conductors (power wires) connecting the fixture must be rated minimum 90°C. If uncertain consult an electrician.
5. Suitable for Type IC or suitable for Type non-IC.
6. This device is not intended for use with emergency exit.
7. This fixture is dimmable. Dimming range is 10%-100%. Please refer to our website for a compatible dimmer list.

NOTE: This device complies with part 15 of the FCC Rules. Operation is subject to the following two conditions:
This device may not cause harmful interference, and
This device must accept any interference received, including interference that may cause undesired operation.

UNPACKING

1. Thoroughly inspect the fixture for freight damage. Freight damage should be reported to the delivery carrier.

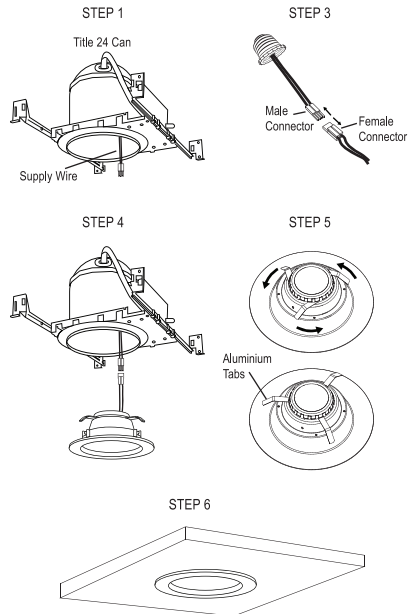
2 INSTALLATION TYPES**I. TITLE 24 CAN**

1. Make sure power is turned off at the source before installing the fixture.
2. Remove any existing trim prior to installation of this fixture.
3. When using a Title 24 Can, remove the E26 base adapter from the fixture by detaching the male and female connectors.
4. Insert the male connector from the Title 24 Can into the female connector of the fixture.
5. For 6" housing can rotate the 3 aluminium tabs on the back of the fixture to their most extended position. If using a 5" housing can, do not rotate the aluminium tabs.
6. Arrange the wires and push the fixture inside the housing can for secured installation.

Note: Be carefull not to rotate the fixture once it's pushed inside the can, because it may change the position of the aluminium tabs which in turn will not ensure a secured installation.

WARNING

**RISK OF FIRE OR ELECTRIC SHOCK
DISCONNECT MAIN POWER AT FUSE OR CIRCUIT BREAKER BEFORE
INSTALLING OR SERVICING THE FIXTURE.**

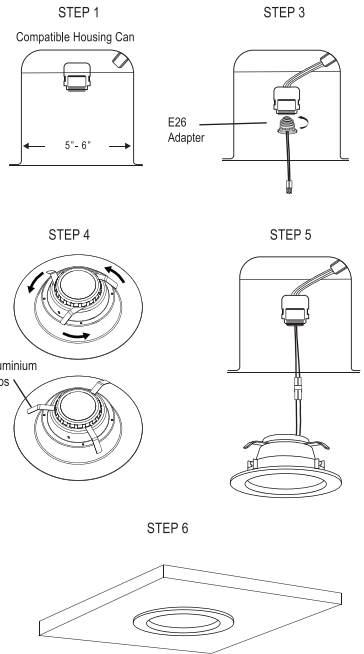


Steps for Title 24 Can Installation

II. TRADITIONAL RECESSED CAN

1. Make sure power is turned off at the source before installing the fixture.
2. Remove any existing trim prior to installation of this fixture.
3. Screw the E26 base adapter included in the installation kit into the traditional can.
4. For 6" housing can rotate the 3 aluminium tabs on the back of the fixture to their most extended position. If using a 5" housing can, do not rotate the aluminium tabs.
5. Connect the male connector of the E26 base adapter with the female connector of the fixture.
6. Arrange the wires and push the fixture inside the housing can for secured installation.

Note: Be carefull not to rotate the fixture once it's pushed inside the can, because it may change the position of the aluminium tabs which in turn will not ensure a secured installation.



Steps for Traditional Recessed Can Installation

DIMMING

Dimming performance may depend on the dimmer, the dimmer range adjustment setting (for dimmers with brightness range adjustments), the wiring method, and/or the number of LED modules installed onto the dimmer circuit.

For dimmer selection, Dimming Control Manufacturers revise their product often; for the latest list of compatible dimmers please visit our website.

For best results, it is recommended to install a minimum of four LED modules onto one dimmer.

Before turning on the LED lights, set dimmer position at maximum before adjusting to a lower light level.

Please follow the Dimming Control Manufacturer's instructions for the installation of all dimming controls.

WARNING

RISK OF FIRE OR ELECTRIC SHOCK
DISCONNECT MAIN POWER AT FUSE OR CIRCUIT BREAKER BEFORE
INSTALLING OR SERVICING THE FIXTURE.

INSTALL THIS KIT ONLY IN LUMANAIRE THAT HAVE THE CONSTRUCTION
FEATURES AND DIMENSIONS SHOWN IN THE PHOTOGRAPHS AND/OR
DRAWINGS AND WHERE THE INPUT RATING OF THE RETROFIT KIT DOES NOT
EXCEED THE INPUT RATING OF THE LUMANAIRE.