

INSTALLATION GUIDE

4" LED DISK DOWNLIGHT



IMPORTANT: Please read carefully and save these instructions, as you may need them at a later date. When using electrical equipment, basic safety precautions should always be followed as below:

READ AND FOLLOW BELOW SAFETY INSTRUCTIONS

GENERAL: All electrical connections must be in accordance with local and National Electrical Code (N.E.C) standards. If you are unfamiliar with proper electrical wiring connections obtain the services of a qualified electrician.

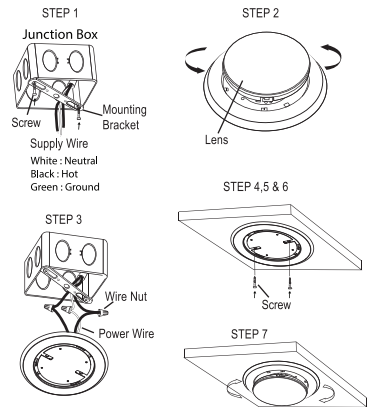
1. Do not make or alter any open holes in an enclosure of wiring or electrical components during kit installation.
2. To prevent wiring damage or abrasion do not expose wiring to edges of sheet metal or other sharp objects.
3. Suitable for damp locations.
4. Suitable for Type IC or suitable for Type non-IC.
5. Use only in open luminaires.
6. This device is not intended for use with emergency exit.
7. This fixture is dimmable. Dimming range is 10%-100%. Please refer to our website for a compatible dimmer list.

UNPACKING

1. Thoroughly inspect the fixture for freight damage. Freight damage should be reported to the delivery carrier.

INSTALLATION TYPE - SURFACE MOUNT

1. Make sure power is turned off at the source before installing the fixture and the J-box is securely mounted. Screw the mounting bracket on to the junction box (this fixture is compatible with 2.75", 3.5" or 4" J-box).
2. Remove lens by twisting counter clockwise.
3. Connect the supply wires to the wires on the fixture using the three wire nuts included in the packaging. Attach white to white, black to black and green to green (grounding connection).
4. Arrange the wires in the back of the junction box.
5. Align the two holes in the mounting fixture with J-box mounting bracket
6. Use the longer screws for a deep J-box or the shorter screws for a shallow J-Box to attach the mounting fixture, flush with the ceiling. Do not over tighten screws or fixture will not be tight to ceiling.
7. Complete the installation by placing the lens back into it's original position by twisting it in clockwise direction.



Steps for Surface Mount Installation

DIMMING

Dimming performance may depend on the dimmer, the dimmer range adjustment setting (for dimmers with brightness range adjustments), the wiring method, and/or the number of LED modules installed onto the dimmer circuit.

For dimmer selection, Dimming Control Manufacturers revise their product often; for the latest list of compatible dimmers please visit our website.

For best results, it is recommended to install a minimum of four LED modules onto one dimmer.

Before turning on the LED lights, set dimmer position at maximum before adjusting to a lower light level. Please follow the Dimming Control Manufacturer's instructions for the installation of all dimming controls.

WARNING

RISK OF FIRE OR ELECTRIC SHOCK
DISCONNECT MAIN POWER AT FUSE OR CIRCUIT BREAKER BEFORE INSTALLING OR SERVICING THE FIXTURE