

CONGRATULATIONS ON YOUR NEW KEY



Write a review on Amazon so that other customers can learn from your experience!

STAUER Best Honda Key Sh...nd chip! (3 Button, Black)
New


X001BY99NJ



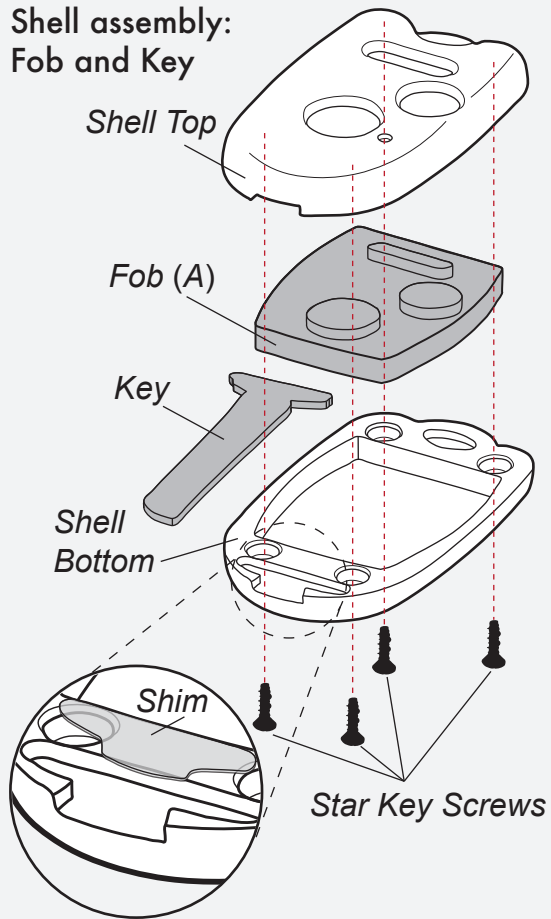
STAUER


STAUER

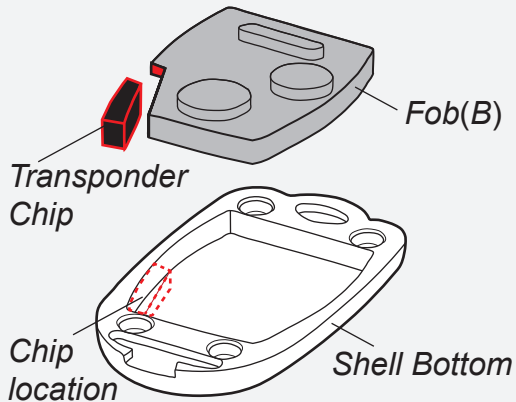
Best Honda Key Shell Instructions:


1. Place the *Key* and *Fob* inside the shell and close it up without screws to make sure everything fits well.
 **Important:** keys with a *Transponder Chip* have a gap in the corner of *Fob(B)*. You will need to pry the chip out of the original shell and install as shown.
2. If the *Key* is loose, open the shell and place 1 or more of the *Shims* into the key slot. Then, close it back up.
3. Use the included *Star Key* to twist the screws into the 4 holes.
4. Tighten to a snug fit without over tightening to avoid stripping the threads.
5. Enjoy!

Shell assembly: Fob and Key



 **Important:** Check your original key shell for a *Transponder Chip*. You must reinstall it for your key to start your car.



 **Note:** To prevent rattling fill the gap between the *Fob (B)* and *Transponder Chip* with a piece of paper.