

# VOLUTE

RP-E-2305



**Rakumba**

WWW.RAKUMBA.COM  
SALES@RAKUMBA.COM

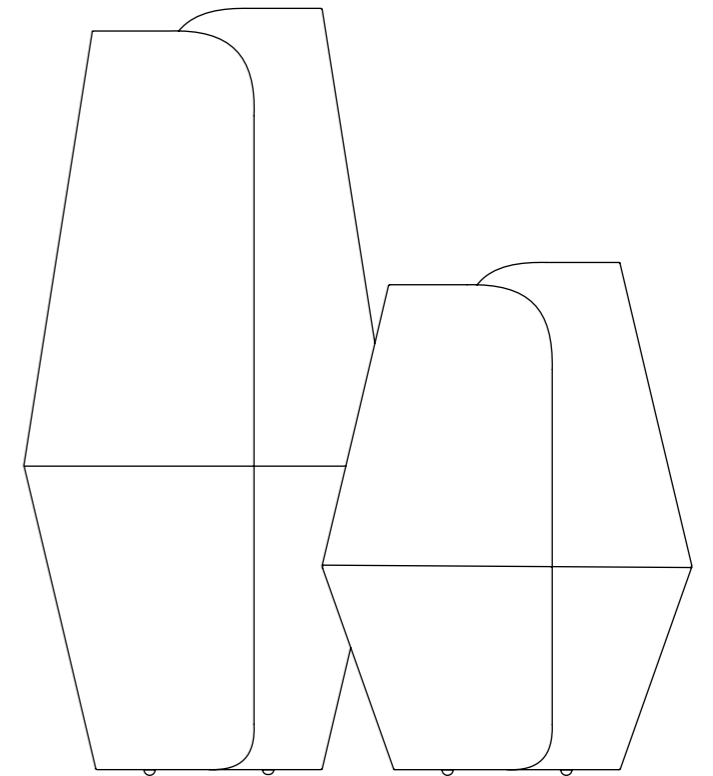
ALL RIGHTS RESERVED © RAKUMBA, 2023

**Rakumba**



VOLUTE

FLOOR



## VOLUTE

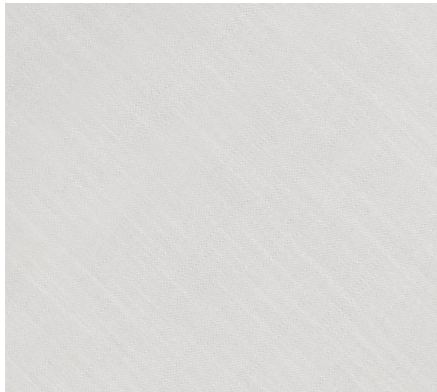
RP-E-2305

Evoking scrolled natural forms - from botanical to nautical - designer Sebastian Herkner draws on Rakumba's heritage of textile lampshade craftsmanship to create the Volute collection.

Herkner challenges skills honed over time with new lampshade geometries previously considered near impossible. Leveraging Rakumba's design ethos of "effortless complexity", Volute pushes craft to its limits, delivering distinguished contemporary presence with the softness of fabric.

With two shells of richly textured customisable fabrics embracing a warm glowing light, Volute is available in pendant, wall, table and floor editions.

# MATERIALS & FINISHES



PUTTY



FLAX



LINEN



DICE



GRAPHITE

# MODELS



FLOOR 1400



FLOOR 900



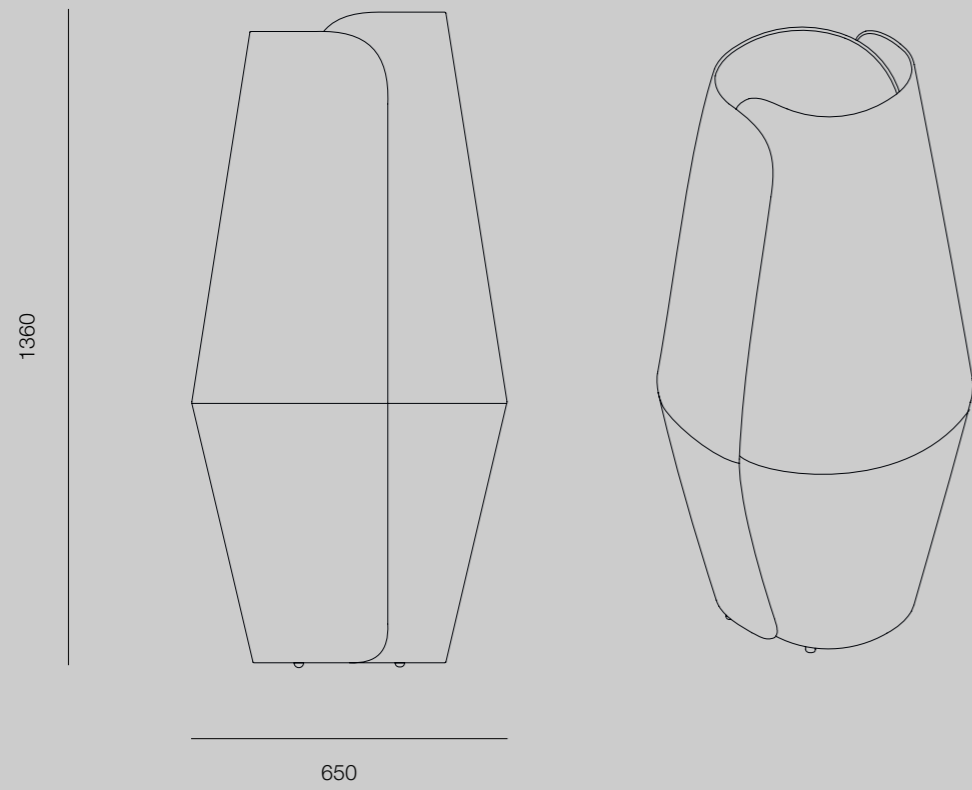
PENDANT



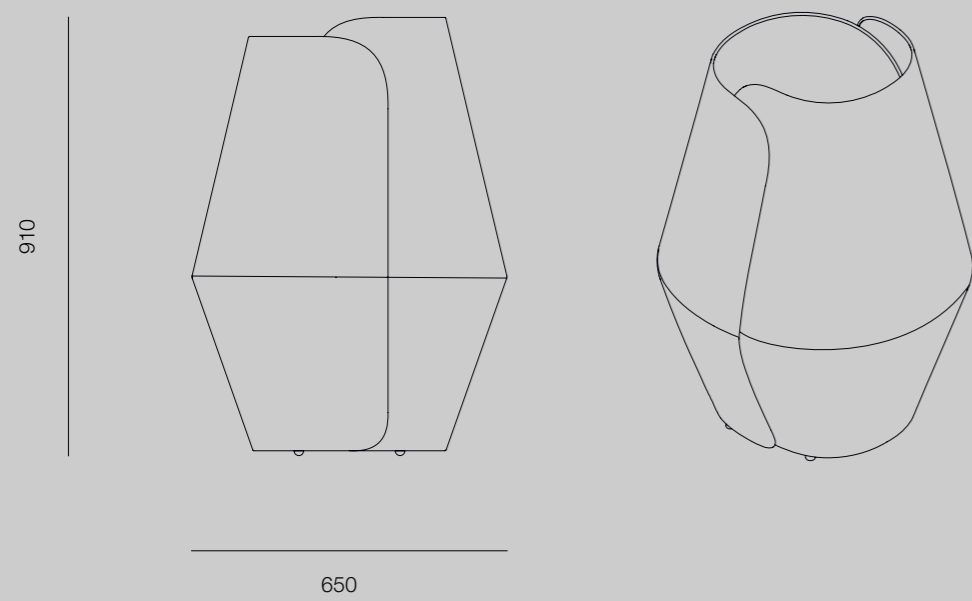
TABLE

# DIMENSIONS

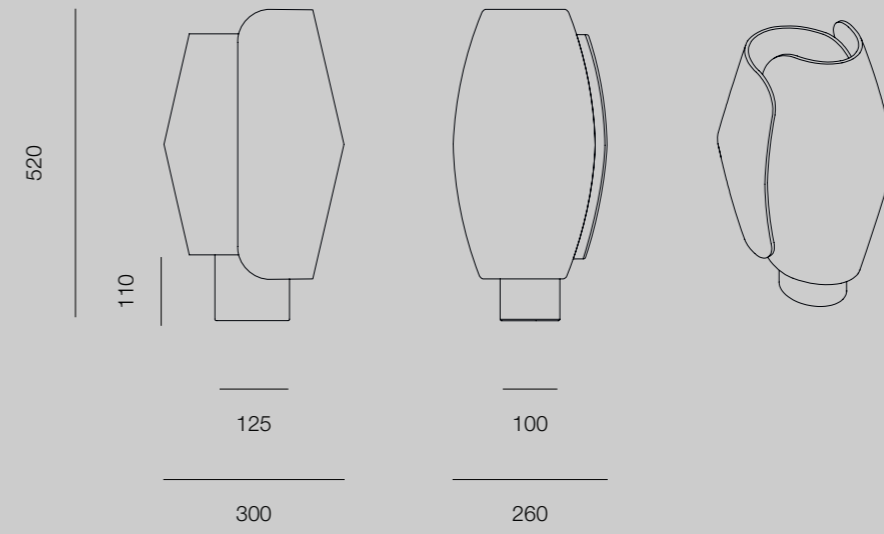
FLOOR 1400



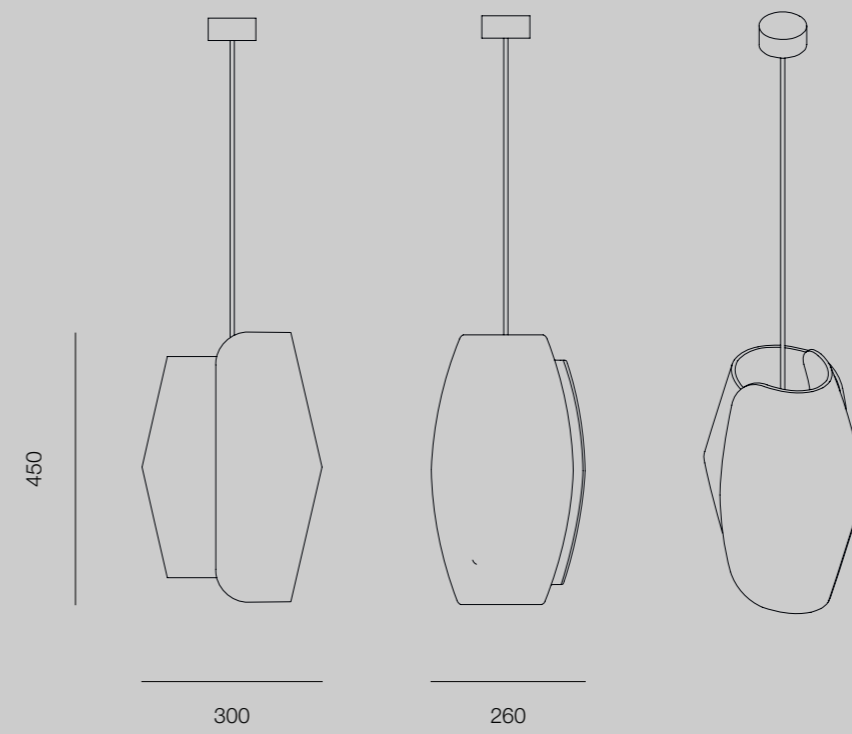
FLOOR 900



TABLE



PENDANT



# OPTIONS

- 
- MODEL:
- FLOOR 1400
  - FLOOR 900
  - TABLE
  - PENDANT

- 
- FINISH:
- PUTTY
  - LINEN
  - GRAPHITE
  - FLAX
  - DICE

- 
- SUSPENSION LENGTH:
- 2M (STANDARD)
  - 5M
  - CUSTOM

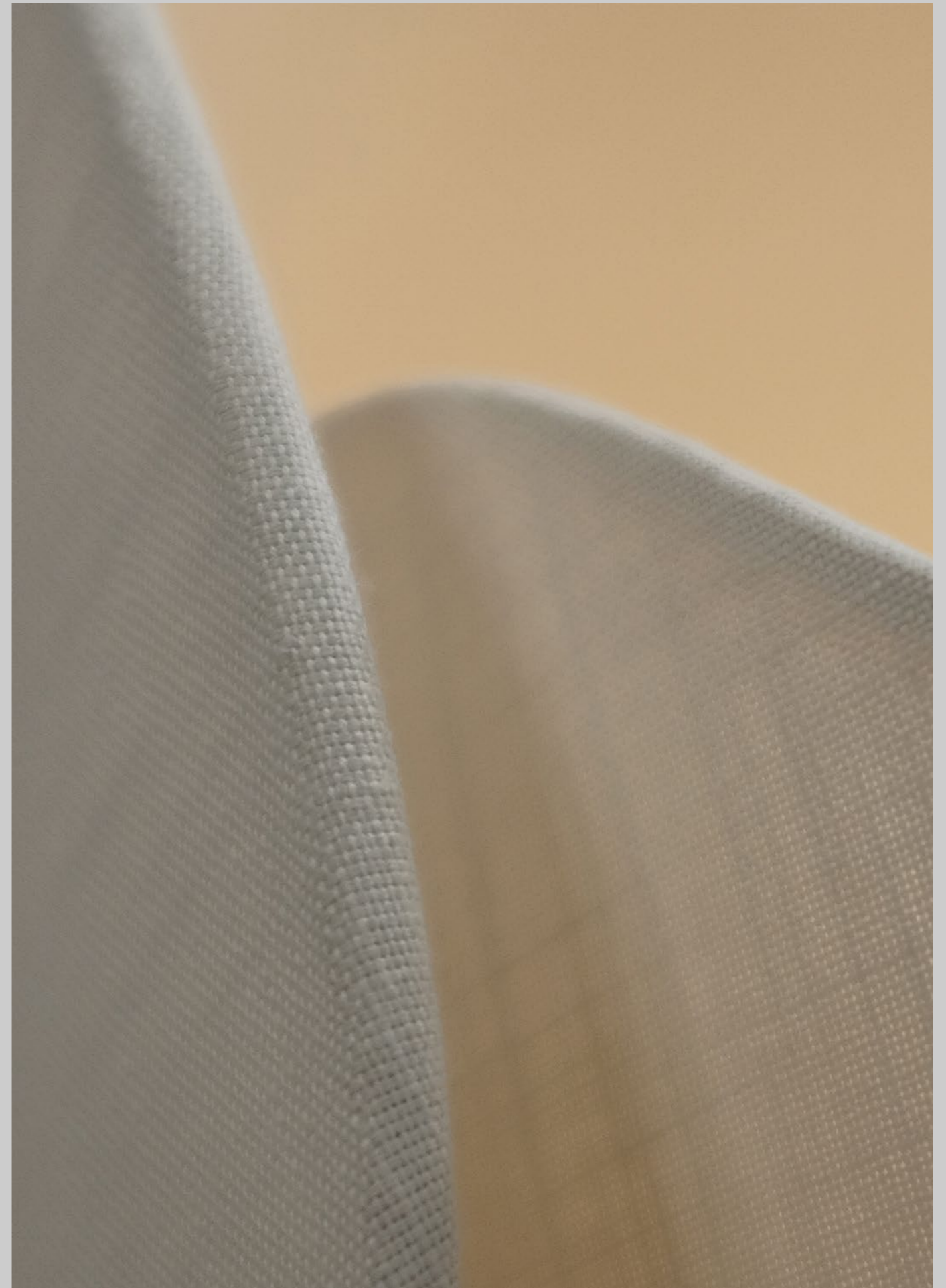
- 
- FLEX:
- BLACK BRAIDED
  - WHITE BRAIDED

- 
- SEAMLESS CANOPY:
- BLACK
  - WHITE

# DATA

RP-E-2305	FLOOR 1400	FLOOR 900	TABLE	PENDANT
LIGHTSOURCE	E27*			
POWER	MAX 24W			
PRIMARY VOLTAGE	240VAC			
IP RATING	IP20			
APPROVALS	AUSTRALIA, NEW ZEALAND			

\*GLOBES NOT SUPPLIED - LED GLOBE RECOMMENDED



# SEBASTIAN HERKNER

Sebastian Herkner established his studio in Offenbach, Germany in 2006. Since then, he has designed furniture, lighting and products for brands all around the world. Sebastian's design ethos is driven by quality and function as well as tradition and innovation. His designs are personal, developed using intuition and instinct, working with brands who share his vision and responsibility for products.

Named Elle Deco International Design Award (EDIDA) Designer of the Year 2021 and Maison & Objet Designer of the Year 2019, Sebastian's works have won numerous accolades internationally.

Rakumba is the first Australian brand collaboration for Sebastian. Despite operating on opposite sides of the globe, the collaboration with Rakumba's product development team has been close and intense, continuing Rakumba's international design legacy and yielding results that speak for themselves.

