

TRIBÙ

# TAO TABLES

MONICA ARMANI



The elegant Tao table collection is a lesson in perfectly balanced contrasts – bold sculptural pedestals and slim table tops that are pleasing to the touch. Designer Monica Armani has used refined lightened concrete to give a look of elegant solidity. The dining table has a central pedestal, which supports a finely milled round table top. The coffee table plays tricks with symmetry by setting the finely milled square table top off centre.



**COFFEE TABLE**  
01682-X



**ROUND DINING TABLE**  
01666-X



**OVAL DINING TABLE**  
01670-X

# TRIBÙ

## MATERIALS

### MATERIALS

#### Frame & table top: lightened concrete

Concrete is a mix of recyclable, organic fibres without resins, with a very natural look. The organic fibres ensure high performance in technical and structural terms, making it very resistant to compression and bending.

The extremely dense microstructure with a low porosity means the concrete has a low sensitivity to the exposure of sea water, sulfates and acids. It also ensures a high resistance to abrasion.

The concrete is coloured in the mass; this ensures a long lasting original colour. The material is also resistant to frost and flame retardant. Typical of the material are the shiny spots and relief which are a result of the traditional production process.

Each furniture piece is hand finished by an Italian craftsman. This implies that every product is unique and different from another. Colour nuances between different productions may also occur.

Our TAO tables in lightened concrete do not contain gravel, like ordinary concrete, but a mix of quartz granulates and fibres, making the material a lot lighter. Nevertheless, it is very sturdy\* and durable. Frost and heat have no influence and the colouring in the mass ensures that your table will retain its original colour for a long time.

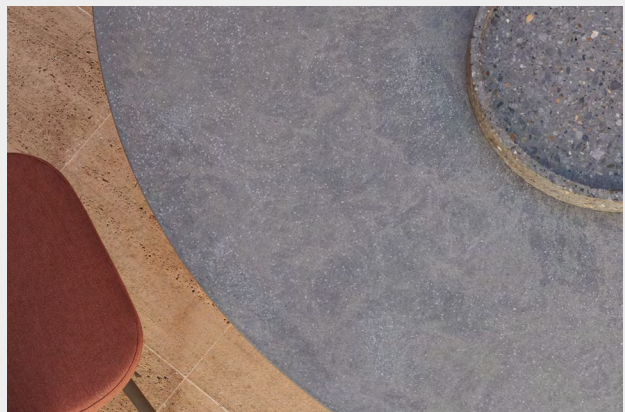
#### FRAME

10-Linen                      89-Wengé



#### TABLE TOP

10-Linen                      89-Wengé



## HOW TO MAINTAIN YOUR FURNITURE

### INFO & MAINTENANCE

#### Concrete texture.

However, lightened concrete is a natural product and sensitive to stains. Despite the fact that we treat our tables with a concrete conditioner that reduces stains and moisture absorption, some caution is required, as with natural stone and marble. \*We recommend a maximum load of 10 kg on the coffee table tops.



OIL, WAX & GREASE REMOVER  
D9963 - 250ml  
removes candle wax,  
grease and oil stains



LIGHTENED CONCRETE CONDITIONER  
D9962 – 500ML  
cleans, maintains and protects

For daily cleaning, dip a soft, clean cloth in a solution of warm, clear water and a pH-neutral fluid detergent. Rinse thoroughly and let dry. Stains should be wiped off immediately, especially acidic substances (juice, coffee, red wine, balsamic vinegar,...) since they may cause permanent stains. Also bird droppings and leaves may cause permanent stains if not removed immediately. We recommend to use a protective cover if you are not using your table. Oil, grease and wax stains can be removed by using Tribù Oil, Wax and Grease Remover (p. 190). Do not use corrosive or acidic detergents.

### PROTECTION COVERS

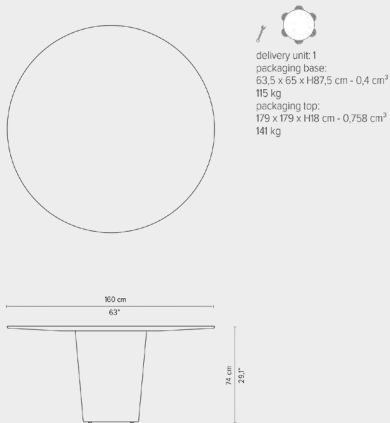
For each item a cover is available that protects the furniture against dirt. These covers in grey colour are made of PU coated polyester which is water-repellent and UV-resistant. Thanks to their excellent breathable qualities the covers reduce condensation and heat build-up, helping to prevent the formation of mold and mildew. Nevertheless, they are not 100% waterproof. Always make sure that furniture, cushions and covers are completely dry before covering furniture.

ARTICLE NR.	ARTICLE	COVER ARTICLE	TABLE DIMENSIONS
01682	COFFEE TABLE	D1682	Dia80 x H37cm - Dia31.5 x H14.5"
01666	ROUND DINING TABLE	D1666	Dia160cm - Dia63"
01668	ROUND DINING TABLE	D1668	Dia180cm - Dia71"
01670	OVAL DINING TABLE	D1670	120x240cm - 47.25x-94.5"

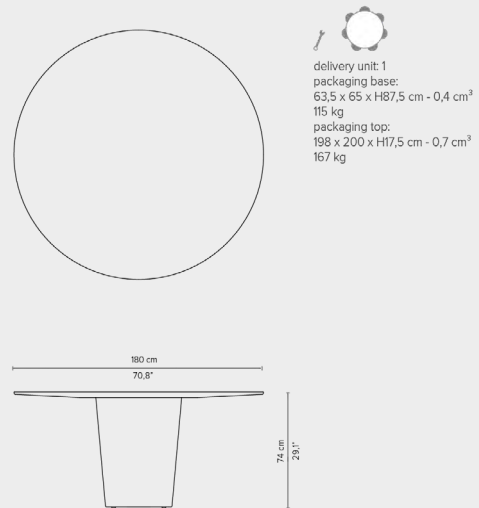
# TRIBÙ

## TECHNICAL DRAWINGS

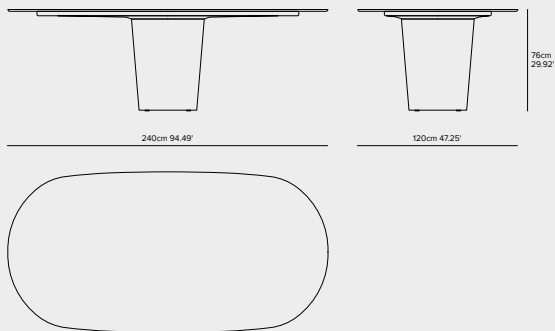
**ROUND DINING TABLE DIA 160**  
01666-X



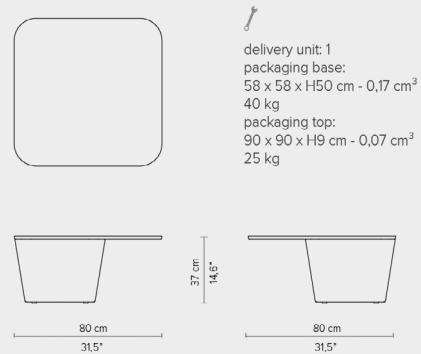
**ROUND DINING TABLE DIA 180**  
01668-X



**OVAL DINING TABLE**  
01670-X



**COFFEE TABLE**  
01682-X



\* Appearances, measurements and weights may slightly differ from reality.

\*\* Attention. If you want to move the TAO dining table, you need to do this with at least 3 people, dividing the weight. Otherwise there is a risk of

# TRIBÙ

## PACKING LIST

ARTICLE NR.	ARTICLE NAME	BOX CONTENT	NR. OF BOXES	BOX DIMENSIONS (LXDXH)	VOLUME (M3 FT3)	GROSS WEIGHT BOX (KG LB)
01666-x	DINING TABLE DIA 160cm		2			
S1666B-x	CONCRETE BASE DIA 160CM/180CM	1		64x65x88cm 25.25x25.5x34.75"	0.37 12.93	115.00 253.6
S1666-x	CONCRETE TOP DIA 160CM	1		179x179x18cm 70.5x70.5x7"	0.58 20.37	141.20 311.3
01668-x	DINING TABLE DIA 180CM		2			
S1666B-x	CONCRETE BASE DIA 160CM/180CM	1		64x65x88cm 25.25x25.5x34.75"	0.37 12.93	115.00 253.6
S1668-x	CONCRETE TOP DIA 180CM	1		198x200x18cm 78x78.75x7"	0.71 25.17	167.00 368.2
01670-xx	DINING TABLE OVAL		2			
S1666B-x	CONCRETE BASE DIA 160CM/180CM	1		64x65x88cm 25.25x25.5x34.75"	0.37 12.93	115.00 253.6
S1670-x	CONCRETE TOP - OVAL	1		198x200x18cm 78x78.75x7"	0.71 25.17	141.20 311.3
S1670-x	COFFEE TABLE 80X80CM		2			
S1682B-x	CONCRETE BASE 80X80CM	1		58x59x48cm 22.75x23.25x19"	0.16 5.80	38.35 84.6
S1682-x	CONCRETE TOP 80X80CM	1		89x90x9cm 35x35.5x3.5"	0.07 2.55	24.65 54.4

## MORE INSPIRATION?

Explore our collection of featured content, including images, videos, and social media assets, all available on our website. To access a wider variety of content, you'll encounter an extensive range of 2D and 3D files to enhance your creative projects.



# TRIBÙ

## REFERENCES



**Residential Switzerland**

Tosca armchairs - Tao dining table



**Residential Switzerland**

Tosca armchairs - Tao dining table