

TRIBÙ

# ILLUM

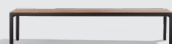
MERCKX & MAES



The ILLUM collection refers to the classical Scandinavian furniture archetypes, translated with updated materials for outdoors. Aluminium is used like sculpted wood throughout the collection, with smooth transitions from crisp to soft lines. Functionality is paramount for ILLUM, without compromising on comfort and class. The soft-curving back support provides an inviting view and seating comfort. The table with its slim legs in aluminium or teak is kept pure and simple. The lounge is provided with a knee bend section and can easily be put in any position by means of a patented pump system.



**ARMCHAIR**  
06518-X



**BENCH**  
06534-X



**LOUNGER**  
06540-X



**DINING TABLE 350**  
06573-X-X | 06550-  
X-X | 06552(XS)-X-X |  
06554(XS)-X-X



**COUNTER HEIGHT  
TABLE**  
06560-X-X  
06564XS-X-X

## FABRICS & MATERIALS

### MATERIALS

**Frame:** Aluminium is a non-ferrous metal, which combines great mechanical rigidity with light weight. This makes it especially suitable for furniture. If treated correctly, it has a good resistance to corrosion. By powdercoating aluminium, this corrosion resistance can even be enhanced. After a chemical pre-treatment, an epoxy powder is applied statically and baked. Tribù always uses European, ultra-durable and scratch-resistant polyester powdercoatings that guarantee a UV-resistance of 15 years. For certain collections (Branch & Illum) parts of the frame are die-cast under high pressure which results in a seamless and extremely solid frame. Additionally, an extra epoxy primer coat is applied for these collections.

**Seat & back:** Batyline® is a polyester fibre which is coated with solution dyed PVC and then woven. The fibres are then melted together to create an extremely stretch and tear-resistant fabric that keeps its shape perfectly. Apart from its exceptional mechanical strength, it has a high chemical resistance. The synthetic coating guarantees an extremely high weather and UV-resistance. The fact that no moisture is absorbed, results in rapid drying, maximum stain and mould-resistance and simple cleaning. The most important feature is its pliancy and optimal seating comfort.

**Table & bench Teak:** Because Tribù makes no concessions when it comes to quality, we only use carefully selected, fully grown teak, which is harvested in accordance with the strictest environmental standards from the three highest quality Indonesian plantations in the East of Java. The local productions are checked all year round by subsidiary Tribù Asia, based in Semarang and led by a European management. Tribù designs its furniture in the way that the wood is used as efficiently as possible. Teak is classed as the most premium wood on the planet and therefore the most suitable species for outdoor furniture. Beyond its beauty, teak possesses some natural properties that other woods don't have. It is extremely durable, stable, water and weather resistant. This is due to the high levels of natural oils which result in minimal moisture absorption, giving it great stability. Moreover, the wood is extremely resistant to fungi, as well as against parasite attacks and insects. A tree is mature after 75 to 80 years. The trees are ringed, which means that the lower band of the bark is removed. The tree then loses most of its sap. About two years later it is felled and sawed up. Tribù selects each log based on its structure. Drying the wood is a very important phase and determines how it reacts later on. The time and speed of drying depends on the thickness of the material. Ideally the level of moisture lies between 8 and 12%.

**Table top:** Ceramic has been used for centuries for all kinds of purposes. With its unique characteristics it is the ideal material for outdoor table tops. Ceramic is UV-resistant, frost proof, extremely scratchproof and completely stain-repellent. The ceramic used by Tribù is coloured in the mass and guarantee years of carefree pleasure. The raw materials are selected very carefully by suppliers from Western and Southern Europe only. Every top is unique. For example, the Scisto colour may show subtle veins, but this is not the case for every top. The ceramic table tops are slightly bended so water can flow off.

## FABRICS & MATERIALS

### FRAME

00-White

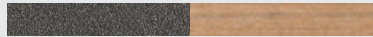
10-Linen-

20--Clay\*



89-Wengé

T-Teak

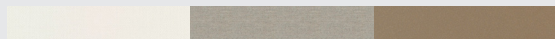


### WEAVE

00-White

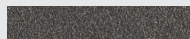
10-Linen

20--Clay\*



\*This colour is available for the armchair only

89-Wengé

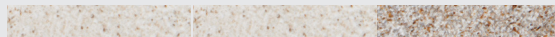


### TABLE TOP

10-Linen

C15-Sabbia

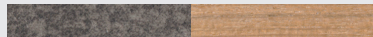
C80-Scisto\*



\*This colour may possibly show delicate veins.

89-Piombo

T-Teak



### CUSHIONS

The filling has a cover in a laminated, water-repellent polypropylene material which prevents water from penetrating. The thread used to stitch the seams swells when getting wet, preventing water from penetrating through the seams. Moreover, the seams are protected on the inside with an extra covering. If nevertheless water should penetrate, the material is breathable, letting moisture out to prevent moulding. Fabrics available in category D, E & F.

## HOW TO MAINTAIN YOUR FURNITURE

### MAINTENANCE

**Aluminium** Powder coated aluminium is easy to clean with clear water and a pH-neutral fluid detergent. Stubborn stains can be removed with Aluminium Cleaner. If necessary, use a soft brush to remove the dirt from the pores. To protect the frame against the adhesion of dirt, Aluminium Protector can be used which applies an invisible protective film.



ALUMINIUM CLEANER  
D9952



ALUMINIUM PROTECTOR  
D9931

Treat new **teak** with teak protector 4 à 6 weeks after installation. Teak protector applies an invisible film that prevents stains and green deposit. Soiled teak can be cleaned with teak super cleaner. Leave the furniture to dry completely and then apply teak protector. To avoid labour-intensive cleaning, you can treat the wood with teak sealer. A simple cleaning with water and a ph-neutral soap will do for many years. Teak sealer contains UV protection to slow down the graying from the sun as well as a fungicide to prevent the growth of mold and mildew.



TEAK SUPER CLEANER  
D9914

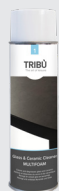


TEAK PROTECTOR  
D9912



TEAK SEALER  
D9959

**Ceramic** is very easy to maintain with clear water and a pH-neutral soap. Stubborn stains can be removed with Ceramic & Lava Stone Cleaner. To protect the ceramic, Ceramic & Lava Stone Protector (p. 187) can be used. This applies a highly water and soiling repellent coating, which also makes the surface brighter, smoother and easier to clean.



CERAMIC & LAVA STONE CLEANER  
D9938

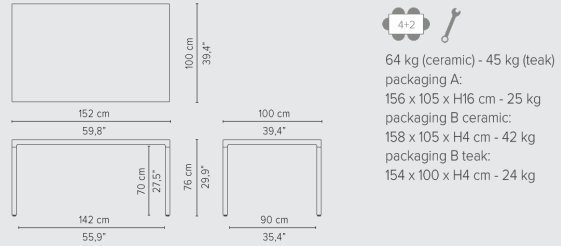
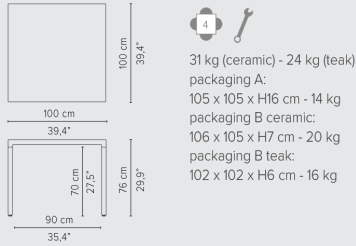


CERAMIC & LAVA STONE PROTECTOR  
D9955

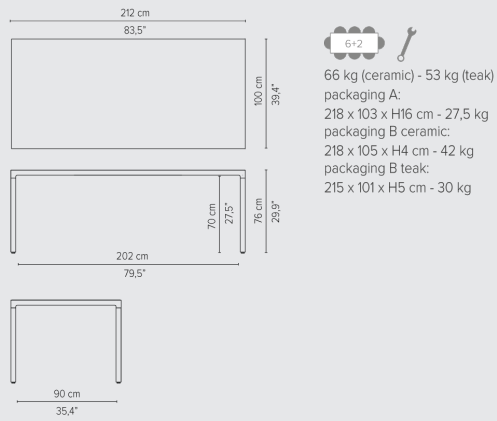
### PROTECTION COVERS

For each item a cover is available that protects the furniture against dirt. These covers in grey colour are made of PU coated polyester which is water-repellent and UV-resistant. Thanks to their excellent breathable qualities the covers reduce condensation and heat build-up, helping to prevent the formation of mold and mildew. Nevertheless, they are not 100% waterproof. Always make sure that furniture, cushions and covers are completely dry before covering furniture.

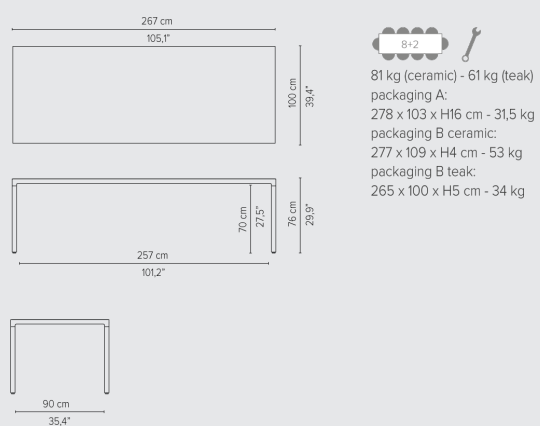
## TECHNICAL DRAWINGS



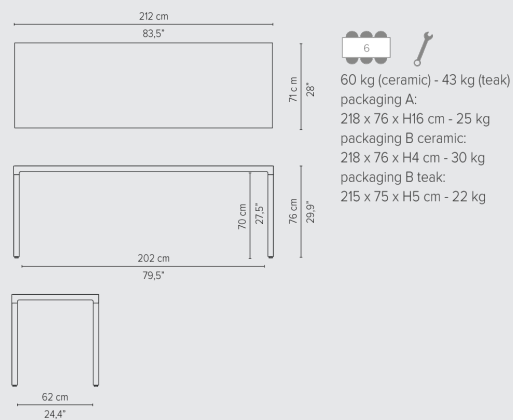
06552-x-y Dining table Alu 212 x 100 cm



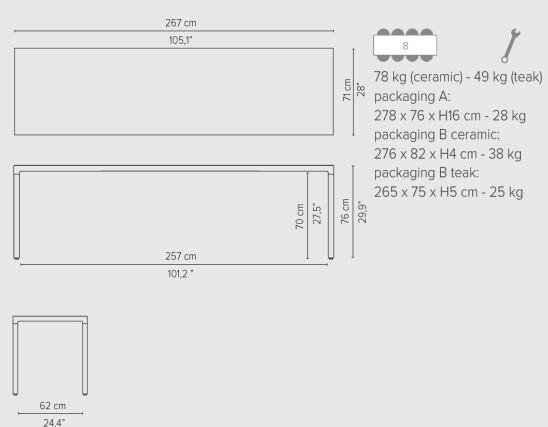
06554-x-y Dining table Alu 267 x 100 cm



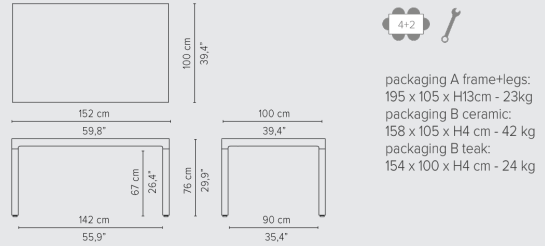
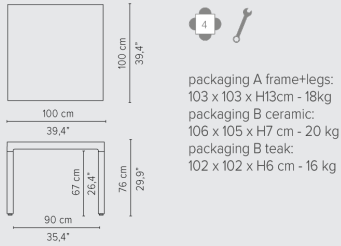
06552xs-x-y Slim Dining table Alu 212 x 71 cm



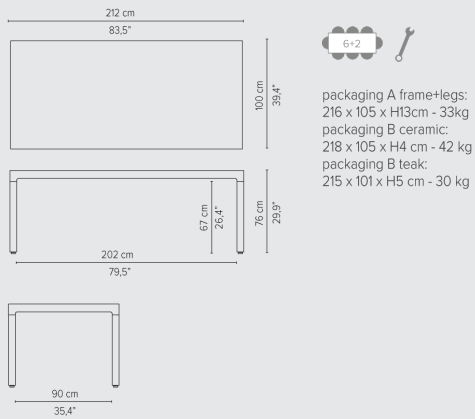
06554xs-x-y Slim Dining table Alu 267 x 71 cm



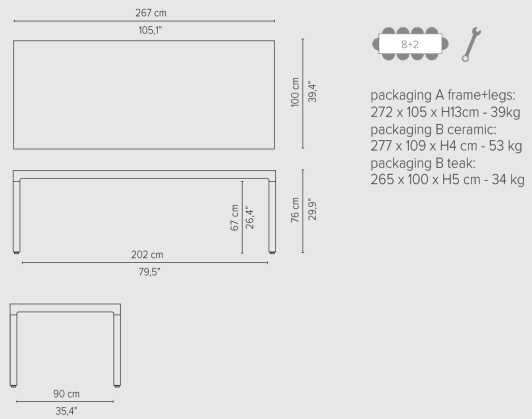
TECHNICAL DRAWINGS



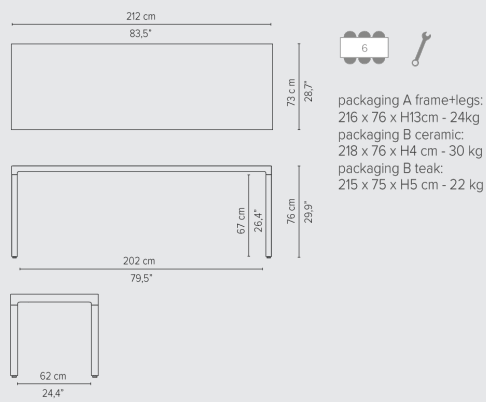
06552-T-y Dining table Teak 212 x 100 cm



06554-T-y Dining table Teak 267 x 100 cm

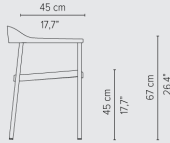
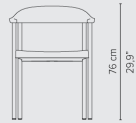
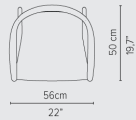


06552xs-T-y Slim Dining table Teak 212 x 73 cm



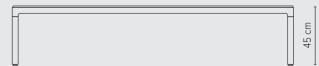
## TECHNICAL DRAWINGS

06518-x-x Armchair



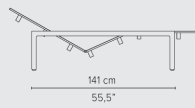
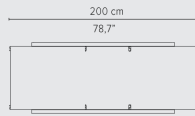
7,5 kg  
 delivery unit: 2  
 packaging:  
 60 x 60 x H87 cm - 0,3 m<sup>3</sup> - 18,1 kg  
 cushion: C06518W

06534-x Bench



31 kg  
 delivery unit: 1  
 packaging A:  
 220 x 47 x H16 cm - 20,5 kg  
 packaging B:  
 220 x 45 x H5 cm - 15 kg  
 cushion:  
 C07434W (42x42cm)

06540 Adjustable lounger

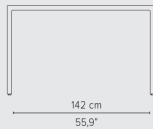
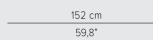
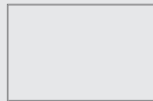


delivery unit: 1  
 packaging:  
 202 x 73 x H42 cm - 0,61 m<sup>3</sup> - 31,3 kg  
 cushions:  
 C06540W

The backrest is adjustable by means of a pump system and can be put in any position you like. The angle of the backrest to the ground floor ranges from 180° to 125°

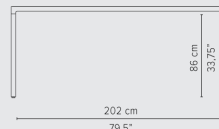
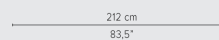
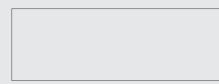


06560-x-y Counter height table alu 152 x 100 cm



packaging A frame:  
 156 x 105 x H16 cm - 25 kg  
 packaging B legs: tbc  
 packaging B ceramic:  
 158 x 105 x H4 cm - 42 kg  
 packaging B teak:  
 154 x 100 x H4 cm - 24 kg

06554XS-x-y Counter height table alu 212 x 71 cm



packaging A frame:  
 217 x 77 x H17 cm - 22 kg  
 packaging B legs: tbc  
 packaging C ceramic:  
 218 x 76 x H4 cm - 30 kg  
 packaging C teak:  
 215 x 75 x H5 cm - 22 kg



TRIBÙ

## BE INSPIRED

Explore our collection of featured content, including images, videos, and social media assets, all available on our website. To access a wider variety of content, you'll encounter an extensive range of 2D and 3D files to enhance your creative projects.

