



DESCRIPTION

Elio is characterized by a softly rounded silhouette that draws inwards to create a cocoon effect. The chair is framed by natural teak which supports the seating shell primarily through the back legs. The handwoven seats draw upward and inward to create a warm, intimate shelter; enhanced by the sophisticated colours of the woven Tricord rope. Warm and inviting, the weaving fuses heritage textile techniques with contemporary solution dyeing to create a material that mimics the gentle touch of light. The rich gradient effect in the seat and backrest is achieved by weaving multiple colours of yarn into one strand, making each piece of furniture one-of-a-kind.

MATERIALS

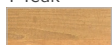
- Legs: plantation teak from East-Java, every part is handpicked during the cutting process of the tree
- Seat shell: weave in Tricord® on an aluminium frame. The seat shells can be replaced individually. Tricord consists of an indestructible polyester core and an outside covering of weather resistant polyolefin. It is the ultimate combination of the strength of polyester and the natural look and feel of polyolefin: strong on the inside, soft on the outside. Tricord is exclusively designed for Tribù and is UV- and rot resistant

CUSHIONS

The filling has a cover in a laminated, water-repellent polypropylene material which prevents water from penetrating. The thread used to stitch the seams swells when getting wet, preventing water from penetrating through the seams. Moreover, the seams are protected on the inside with an extra covering. If nevertheless water should penetrate, the material is breathable, letting moisture out to prevent moulding. Fabrics available in category D, E & F.

COLOURS FRAME

T-Teak



COLOURS SEAT & BACK

10-Linen



30-Moss



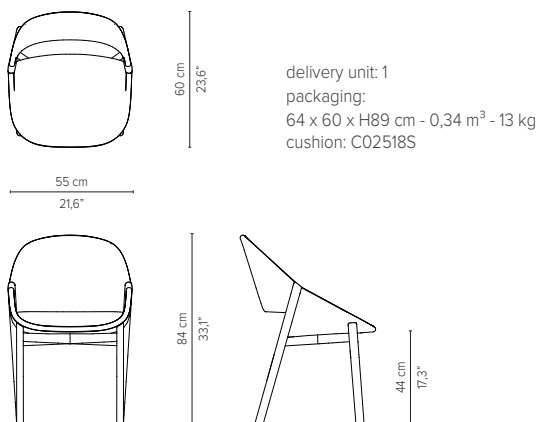
89-Wengé



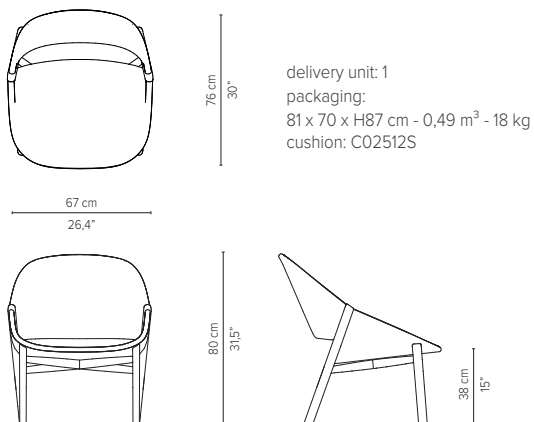
ELIO

TECHNICAL DRAWINGS

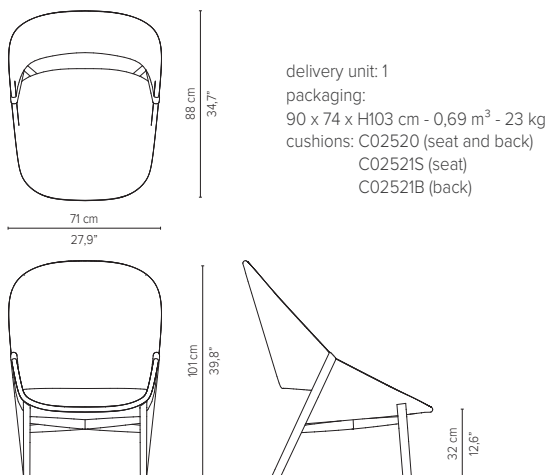
02518 Armchair



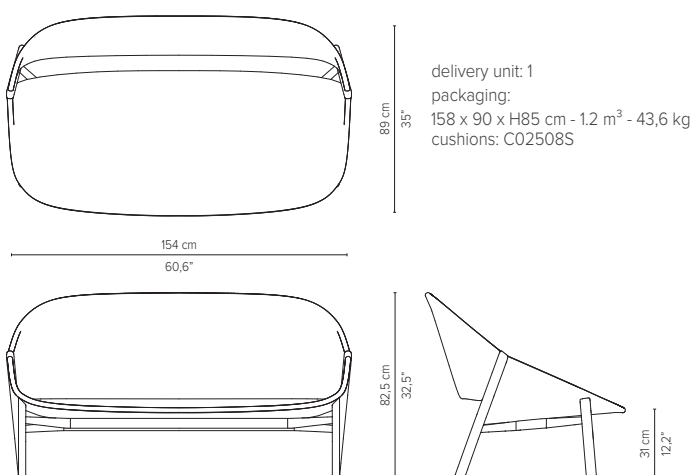
02512 Lounge chair



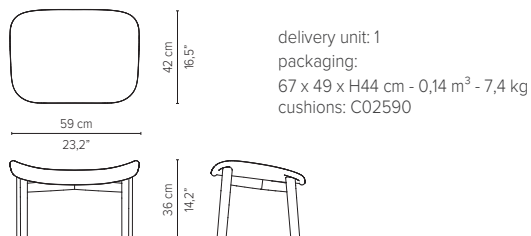
02520 Lounge chair high back



02508 Sofa 2-seater



02590 Footrest



* Appearances, measurements and weights may slightly differ from reality.

PROTECTION COVERS

For each item a cover is available that protects the furniture against dirt. These covers in grey colour are made of PU coated polyester which is water-repellent and UV-resistant. Thanks to their excellent breathable qualities the covers reduce condensation and heat build-up, helping to prevent the formation of mold and mildew. Nevertheless, they are not 100% waterproof. Always make sure that furniture, cushions and covers are completely dry before covering furniture.

MAINTENANCE

Legs Teak

Treat new teak with Teak Protector 4 to 6 weeks after installation. Teak Protector applies an invisible film that prevents stains and green deposit. Soiled teak can be cleaned with Teak Super Cleaner. Leave the furniture to dry completely and then apply Teak Protector. To avoid labour-intensive cleaning, you can treat the wood with Teak Sealer. A simple cleaning with water and a ph-neutral soap will do for many years. Teak Sealer contains UV protection to slow down the graying from the sun as well as a fungicide to prevent the growth of mold and mildew.



D9914
Teak Super
Cleaner



D9912
Teak Protector



D9959
Teak Sealer

Seat shell

Before use, we recommend to treat the Tricord weave with Textile Protector which applies an invisible dirt and water repellent film. The weaving can be cleaned with clear tap water and a ph-neutral detergent. Stubborn stains can be removed with Synthetics Super Cleaner.



D9922
Synthetics
Super Cleaner



D9924
Textile Protector