

BAILEY

RP-E-1701P



Rakumba

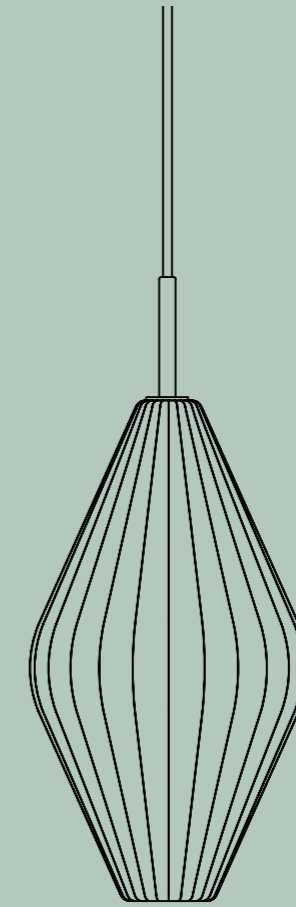
WWW.RAKUMBA.COM
SALES@RAKUMBA.COM

ALL RIGHTS RESERVED © RAKUMBA, 2021
PHOTOGRAPHY CREDITS:
HAYDN CATTACH
KATE SHANASY

Rakumba







BAILEY

RP-E-1701P

A collaboration with iconic Australian designer Tom Fereday, the Bailey pendant represents Fereday's enduring exploration of process and materiality.

Merging traditional artisan techniques with thoroughly contemporary form, Bailey takes ancient Italian optic glassblowing techniques and superimposes highly challenging vertical flutes onto a crisp, dramatically scaled diamond. Both fluting and scale push the boundaries of this intricate process; each Bailey pendant must be personally handcrafted by Tom Rowney, recognised as the nation's preeminent glass artist.

Suspended from an elegantly minimalist brass fitting, Bailey presents as a captivating solo sculptural piece. Arranged in tiered multiples, the cleverly tessellating form comes into its own, building intriguing compositions of positive and negative space. Beautifully rich glass colour selections complement any architectural palette.

Bailey: Centuries of glassworking mastery, distilled in modern form.



MATERIALS & FINISHES

HAND BLOWN GLASS // SATIN BRUSHED BRASS OR ANODISED ALUMINIUM



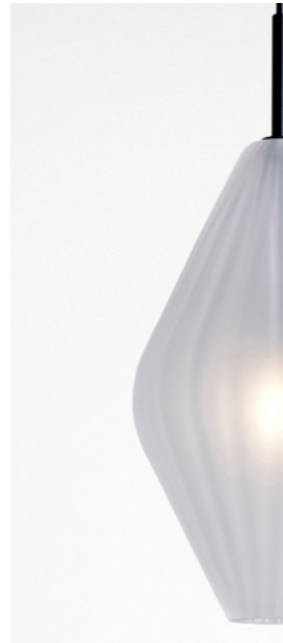
STEEL BLUE



STEEL GREEN



WHISKY



FROST



BLACK



BRASS

OPTIONS

PENDANT

- COLOUR:
- STEEL GREEN
 - STEEL BLUE
 - WHISKY
 - FROST

- METALWORK:
- BLACK
 - BRASS

- SUSPENSION
- 2M (STANDARD)
 - 5M
 - CUSTOM

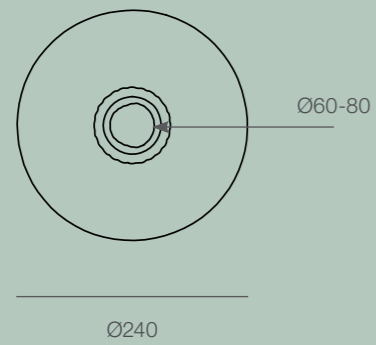
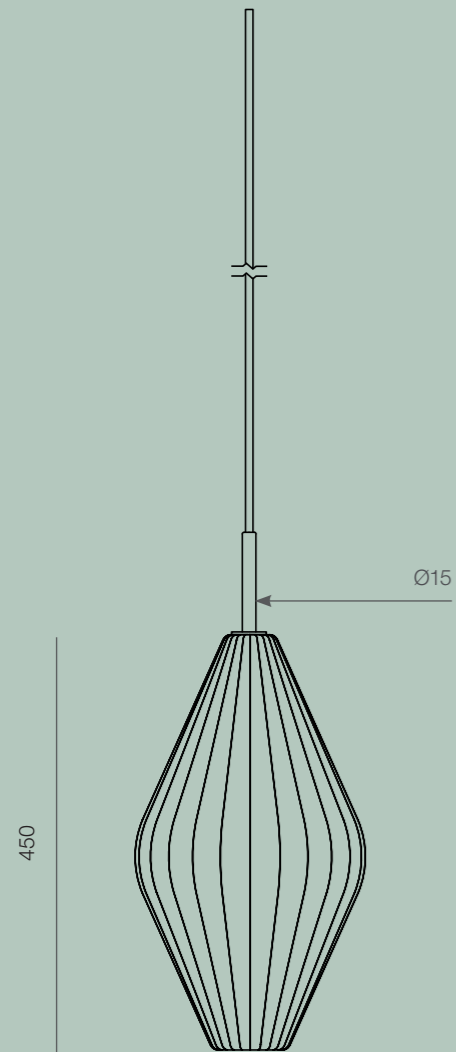
- FLEX:
- BLACK BRAIDED
 - WHITE BRAIDED
 - BRASS BRAIDED

- SEAMLESS CANOPY:
- BLACK
 - WHITE
 - SILVER
 - BRASS

DIMENSIONS

ALL DIMENSIONS IN MILLIMETRES

DUE TO HANDMADE NATURE OF PRODUCT, DIMENSIONS OR THICKNESS MAY VARY



DATA

BAILEY RP-E-1701P	
LIGHTSOURCE	E27*
POWER	MAX 24W
PRIMARY VOLTAGE	240VAC
PRODUCT WEIGHT	3.5 KG
PACKED WEIGHT	5KG
PACKED DIMENSIONS	30 X 32 X 65CM
IP RATING	IP20
APPROVALS	EUROPE, AUSTRALIA, NEW ZEALAND

*GLOBES NOT SUPPLIED - CFL OR LED RECOMMENDED - MAX GLOBE DIAMETER 60MM

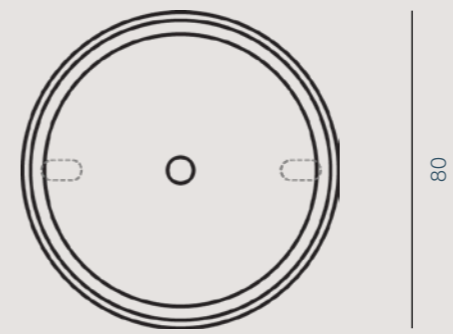
SEAMLESS CANOPY

RP-E-1701P



DIMENSIONS

ALL DIMENSIONS IN MILLIMETRES

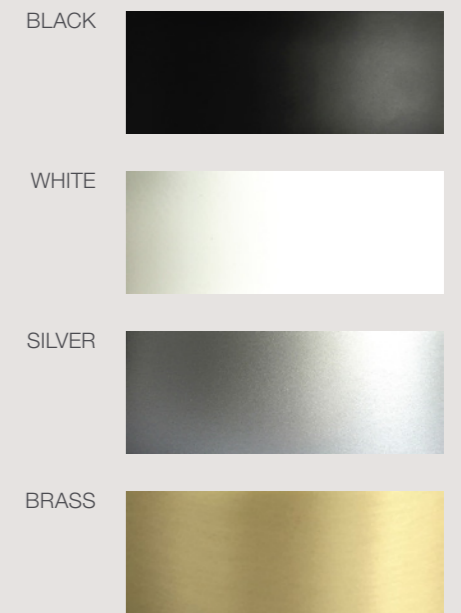


60MM MOUNT HOLE SPACING

WEIGHT RATING 12KG (CANOPY ONLY, SUBJECT TO SUBSTRATE/FIXINGS)

FINISHES

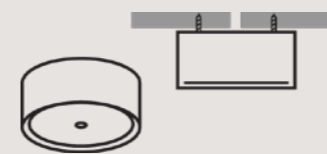
DIE CAST ALUMINIUM // STEEL // POWDERCOAT



OPTIONS

MOUNTING

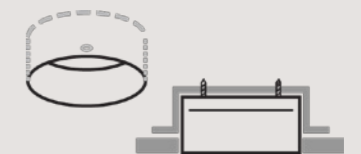
CANOPIES MUST BE FASTENED TO LOAD BEARING SUBSTRATE OR CROSSBEAM



STANDARD



FLUSH TRIMLESS *



RECESSED TRIMLESS *

REGISTERED DESIGN 350308

* WITH OPTIONAL RECESS KIT
RECESS KIT MOUNTING SURFACE MUST BE LOAD BEARING



TOM FEREDAY

Tom Fereday develops products based on the principle of honest design – celebrating the manufacturing processes behind furniture and products, and designing from the inside out. He strives to create enduring designs that are meaningful to people and their environment.

Born in Australia, Tom grew up in England studying at the Wimbledon School of Art before moving to Sydney to complete Honours in Industrial Design at the University of Technology Sydney. He founded his studio in 2012 and currently works with leading design brands across Europe and Australia. As a multi-award-winning designer, Tom exhibits internationally on a regular basis.



