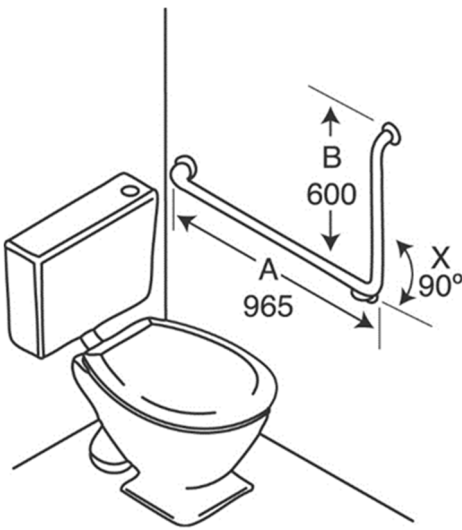


# Technical Data Sheet

## MODEL BT5 – TOILET GRAB RAIL

AS1428.1-2009 Compliant



**Description:**

Configured Grab Rail for use in toilet applications for disabled, aged care facilities and home assist use.

**Size:** 965mm Horizontal x 600mm Vertical x 90 Deg Rise

**Materials:** 304 Grade Satin Stainless Steel Tubing.  
76 x 3mm Concealed Flange

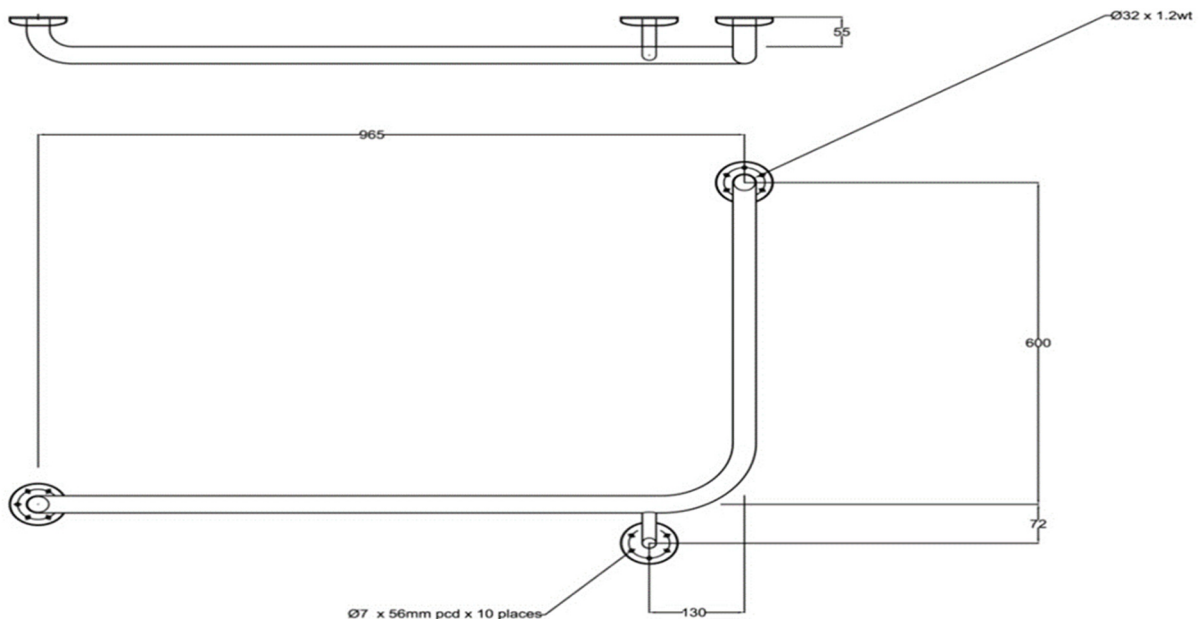
**Finished Available**

32mm Diameter Tube  
32mm Diameter 1428 Knurled  
Mirror Polishing (No.9 Finish)  
Also Available in Powdercoated Colours

**Note** To the extent permitted by law Bendtech does not provide any warranty in relation to bolts, screws or other fasteners provided with Bendtech products. You should obtain appropriate advice from a licensed trade person before affixing or installing.

**Models**

324 BT 5 CF	LHS (as per diagram above), RHS (opposite to diagram above)
329 BT 5 CF	32mm Satin Stainless Steel, Flange and Cover
324K BT 5 CF	32mm Mirror Polished, Flange and Cover
329K BT 5 CF	32mm 1428 Knurled Stainless Steel, Flange and Cover
	32mm 1428 Knurled Mirror Polished, Flange and Cover



7 Barrinia Street Slacks Creek QLD 4127  
Phone: (07) 3290 4007 Fax: (07) 3290 4001  
Email: [info@bendtech.com.au](mailto:info@bendtech.com.au) web: [www.bendtech.com.au](http://www.bendtech.com.au)