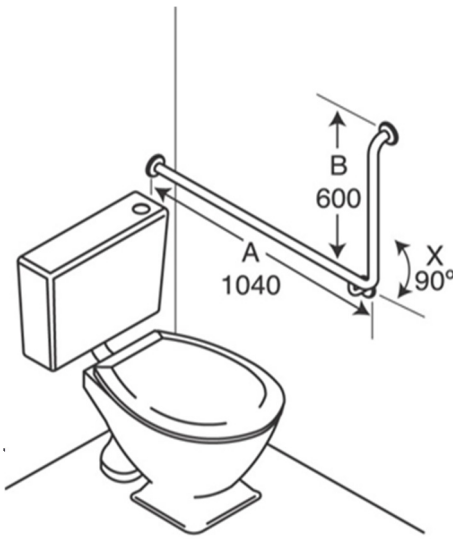


Technical Data Sheet

MODEL BT4/90 – TOILET GRAB RAIL

AS1428.1-2009 Compliant



Description:

Configured Grab Rail for use in toilet applications for disabled, aged care facilities and home assist use.

Size: 1040mm Horizontal x 600mm Vertical x 90 Deg Rise

Materials: 304 Grade Satin Stainless Steel Tubing.
76 x 3mm Concealed Flange

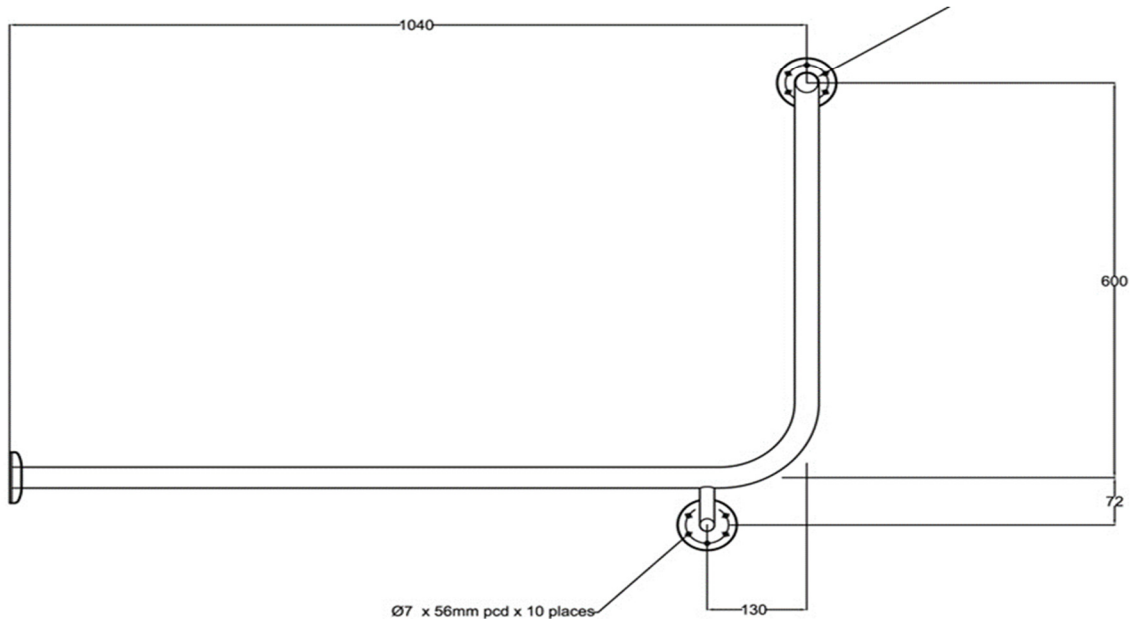
Note To the extent permitted by law Bendtech does not provide any warranty in relation to bolts, screws or other fasteners provided with Bendtech products. You should obtain appropriate advice from a licensed trade person before affixing or installing.

Finished Available

32mm Diameter Tube
32mm Diameter 1428 Knurled
Mirror Polishing (No.9 Finish)
Also Available in Powdercoated Colours

Models

324 BT4/90 CF	LHS (as per diagram above), RHS (opposite to diagram above)
329 BT4/90 CF	32mm Satin Stainless Steel, Flange and Cover
324K BT4/90 CF	32mm Mirror Polished, Flange and Cover
329K BT4/90 CF	32mm 1428 Knurled Stainless Steel, Flange and Cover
	32mm 1428 Knurled Mirror Polished, Flange and Cover



7 Barrinia Street Slacks Creek QLD 4127
Phone: (07) 3290 4007 Fax: (07) 3290 4001
Email: info@bendtech.com.au web: www.bendtech.com.au