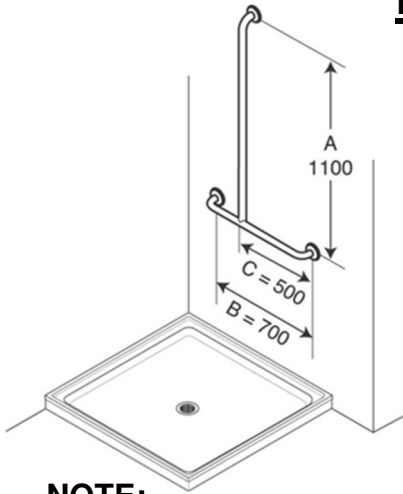


# Technical Data Sheet

## Model BT29 – SHOWER GRAB RAIL

AS1428.-1-2009 Compliant



**Description:** Configured Grab Rail for use in Shower applications for disabled, aged care facilities and home assist use.

**Size:** 700mm Horizontal x 1100mm Vertical

**Materials:** 304 Grade Satin Stainless Steel Tubing  
76 x 3mm Concealed Flange

**Finishes Available:** 32mm Diameter Tube  
32mm Diameter 1428 Knurled  
Mirror Polishing (No.9 Finish)  
Also available in Powdercoated Colours

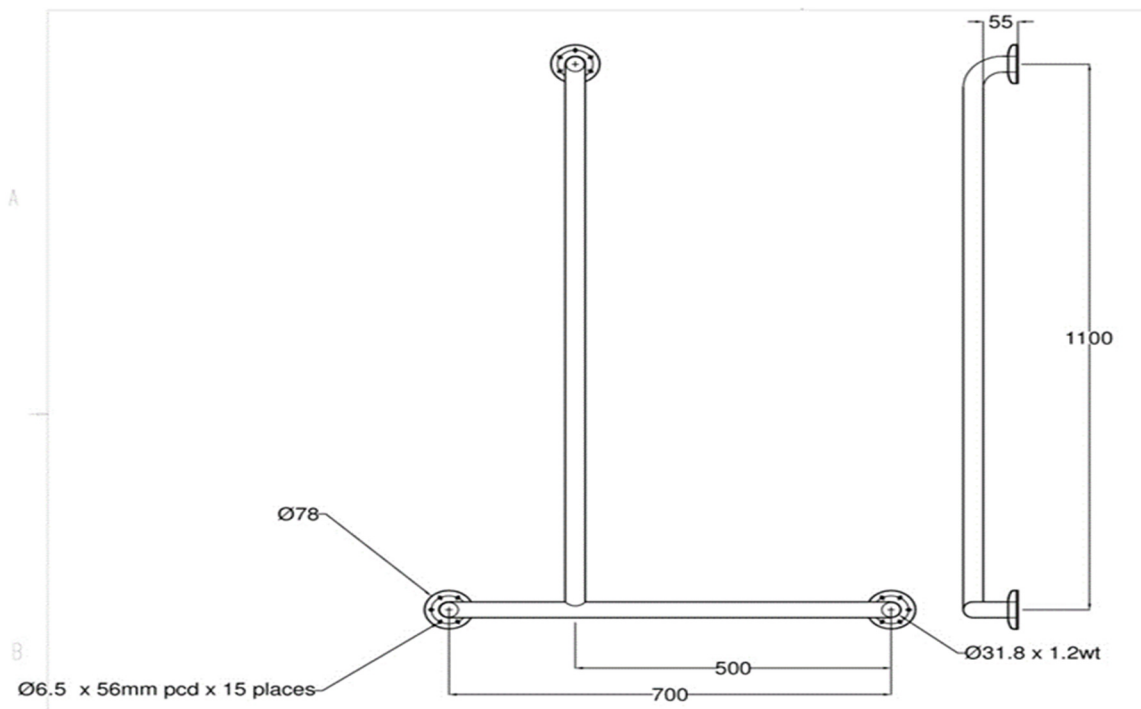
**NOTE:**

To the extent permitted by law Bendtech does not provide any warranty in relation to bolts, screws or other fasteners provided with Bendtech products. You should obtain appropriate advice from a licensed trade person before affixing or installing.

**Models**

- 324 BT29 CF
- 329 BT29 CF
- 324K BT29 CF
- 329K BT29 CF

- LHS (as per diagram above), RHS (Opposite to diagram above)
- 32mm Stain Stainless Steel, Flange and Cover
- 32mm Mirror Polished, Flange and Cover
- 32mm 1428 Knurled Stainless, Flange and Cover
- 32mm 1428 Knurled Mirror Polished, Flange and Cover



7 Barrinia Street Slacks Creek QLD 4127  
Phone: (07) 3290 4007 Fax: (07) 3290 4001  
Email: [info@bendtech.com.au](mailto:info@bendtech.com.au) web: [www.bendtech.com.au](http://www.bendtech.com.au)