

Installation Instructions

MODEL BT20 – FOLD UP RAIL

AS1428.1 Compliant

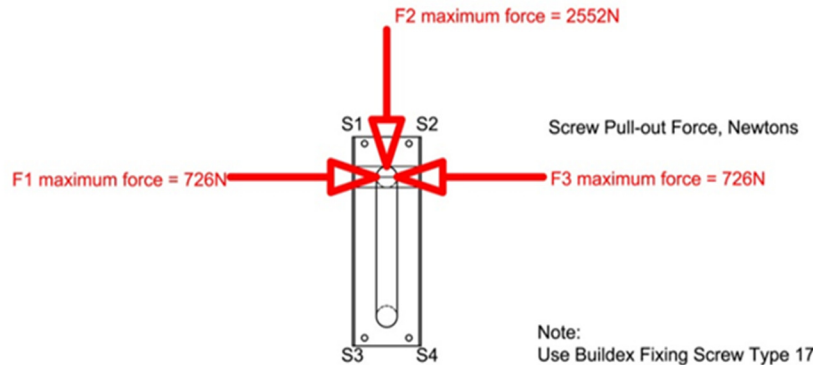
Description:

Fold up Rail for use in toilet applications for disabled, aged care facilities and home assist use.

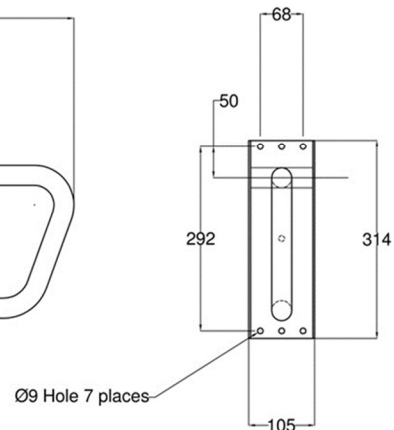
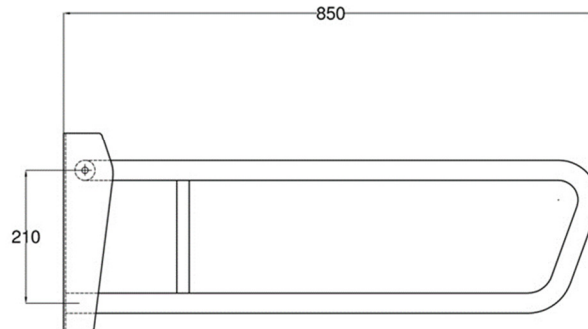
Size: 850mm length **Plate size:** 105mm x 314mm x 5mm

Materials: 304 Grade Satin Stainless Steel Tubing

Fitters Note:



Note:
Use Buildex Fixing Screw Type 17 10-12
Minimum screw embedment 25mm
Pull-out strength = 3500N
Locate fixing Screws at S1, S2, S3 & S4



Models

Not handed

- BT20 32mm 304 Grade No 4 Finish Stainless Steel Fold up rail
- BT20 TR 32mm 304 Grade No 4 Finish Stainless Steel Fold up rail with Toilet Roll Holder
- BT20 NCP 32mm 304 Grade No 4 Finish Stainless Steel Fold up rail with Nurse Call Provision
- BT20 TR NCP 32mm 304 Grade No 4 Finish Stainless Steel Fold up rail with Toilet Roll Holder & Nurse Call Provision

Note: To the extent permitted by law Bendtech does not provide any warranty in relation to bolts, screws or other fasteners provided with Bendtech products. You should obtain appropriate advice from a licensed trade person before affixing or installing.