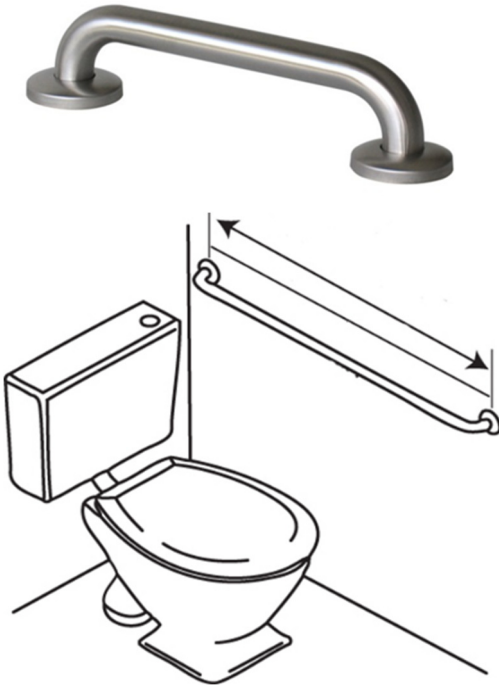


Installation Instructions

MODEL BT00 – STRAIGHT GRAB RAIL

AS1428.1 Compliant



Description:

Straight Grab Rail for use in disabled, aged care facilities and home assist use. For lengths over 1200mm a centre support bracket is included for extra strength.

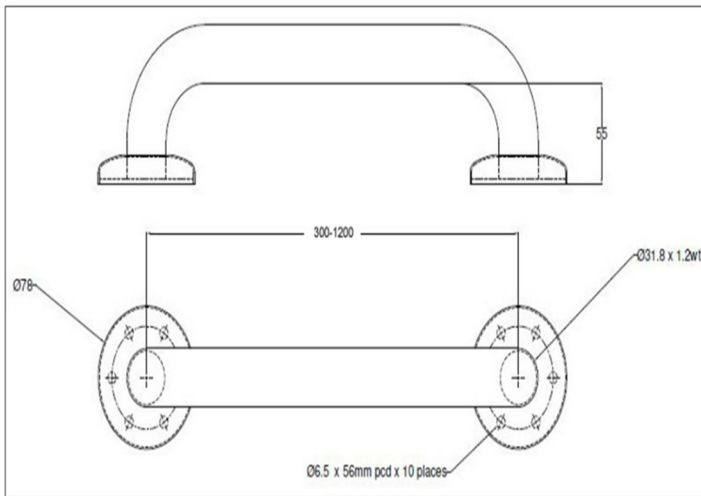
Materials:

304 Grade Satin Stainless Steel tubing.
Also available in No 9 Finish, Mirror Polished Stainless Steel (329).
76x3mm Concealed Flange.

Models:

324 BT00 300 – 1200 CF - 304 Grade No 4 Finish Satin
Stainless Steel, 32mm Standard Cover & Flanges
329 BT00 300 – 1200 CF - No 9 Finish Mirror Polished
Stainless Steel, 32mm Standard Cover & Flanges

Custom made sizing available on request



To meet requirements of AS1428.1

1. Install at height of 800-810mm to top of rail from floor level.
2. Fixings need to be able to withstand a force of 1100N applied at any position and in any direction. (Note: Fixings not included).
3. Clearance between grabrail and the adjacent wall surface or obstruction shall be not less than 50mm or more than 60mm.

It is very important that a spacing block is utilised behind the rail to ensure that the rail is parallel to the wall surface as wall surfaces and squareness can vary. This can be adjusted on installation by an experienced tradesperson. The wall to the inside of the rail is 55mm on standard Bendtech Rails.

Note: To the extent permitted by law Bendtech does not provide any warranty in relation to bolts, screws or other fasteners provided with Bendtech products. You should obtain appropriate advice from a licensed trade person before affixing or installing.