



Shower Seat BTSS960 is not included and is for display purposes only



Quality
Endorsed
Company
QEC 24602
ISO 9001

BENDTECH[®]
Stainless Steel Tubular Products

HomeAssist[™]

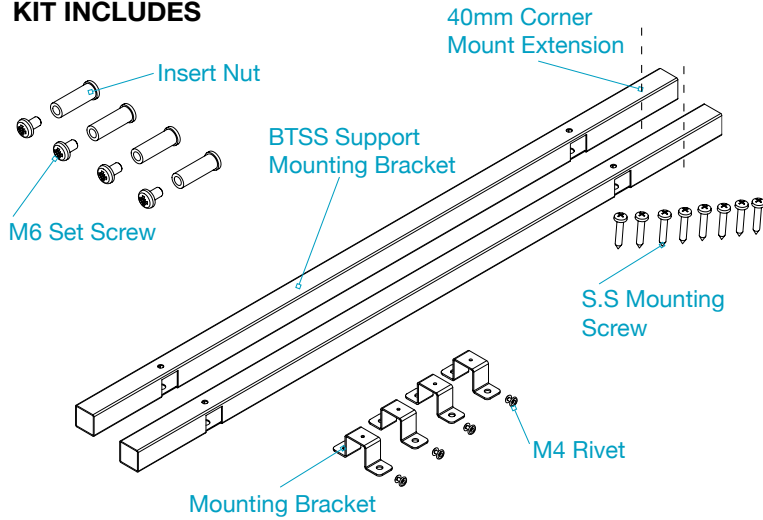
Mounting Kit
For Shower Seats

Easy and affordable solution
to assist with installation of
Bendtech[™] Shower Seats in wet areas.
Made from Stainless Steel. TGA Registered.

HomeAssist™

Mounting Kit for Shower Seats

KIT INCLUDES



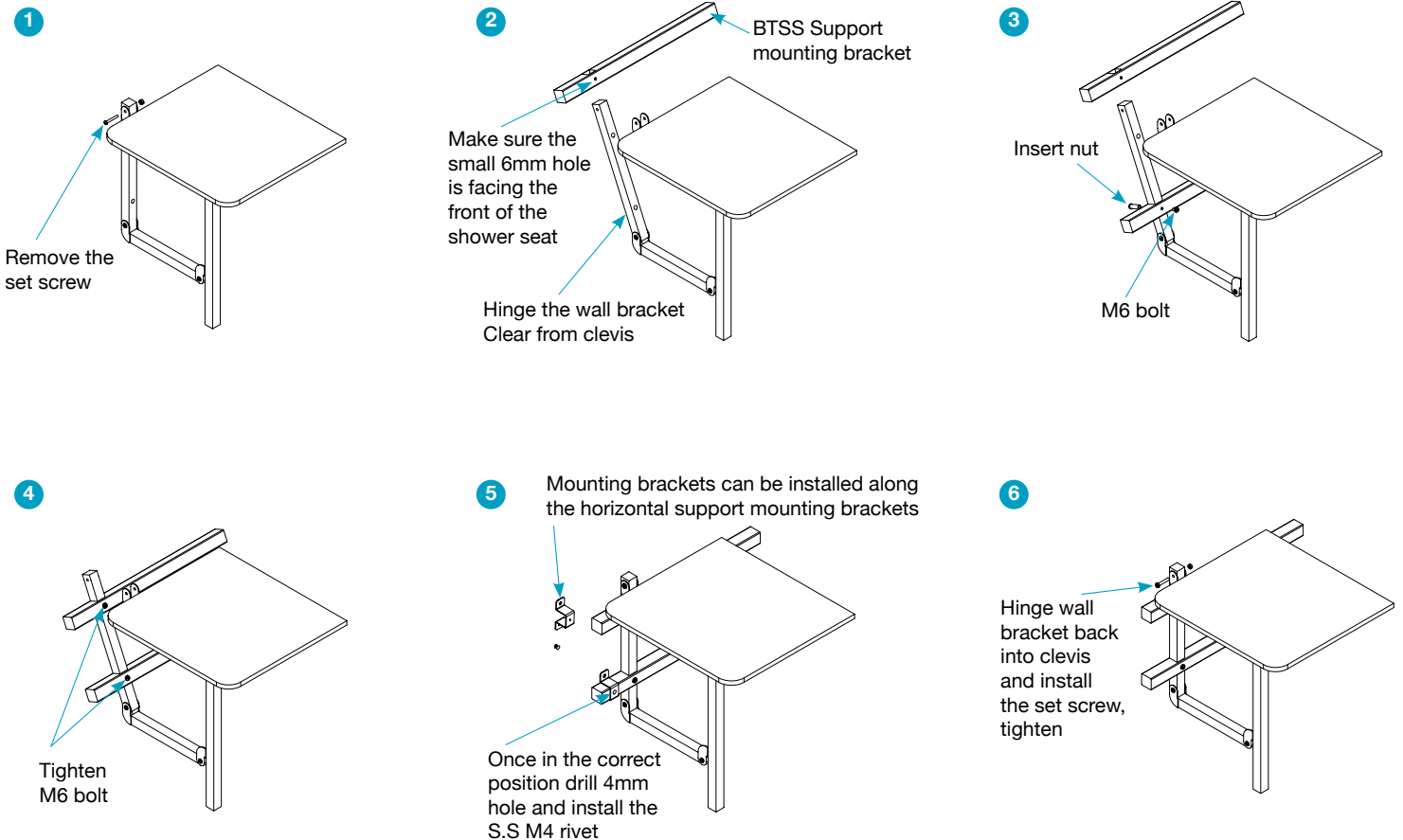
The Mounting Kit for Shower Seats is to assist in the installation of Bendtech™ Shower Seats where stud spacing may cause mounting issues.

Designed for installers, facility managers and home owners who recognise the requirement to place fixings on the wall stud for correct installation.

Use in conjunction with Bendtech™ Shower Seat as shown in 6 easy steps below. Suitable for corner mounting.

BRACKET MOUNTING KIT CODE	TO SUIT SHOWER SEAT
BTSS450BMK	BTSS450
BTSS600BMK	BTSS600
BTSS700BMK	BTSS700
BTSS800BMK	BTSS800
BTSS960BMK	BTSS960

INSTALLATION AS BELOW



BENDTECH™
Stainless Steel Tubular Products

7 Barrinia Street, Slacks Creek. Qld 4127
Phone: (07) 3290 4007
Fax: (07) 3290 4001
Email: info@bendtech.com.au
Web: www.bendtech.com.au