



**BENDTECH™**  
Stainless Steel Tubular Products

# RestEzy

## Back Support

BT-35

Modular design with adjustable depth to suit your requirements. Ergonomically designed for strength and easy installation.

Made in Australia. Complies to AS1428.1

# RestEzy Back Support

BT-35

## ASSEMBLY DRAWING

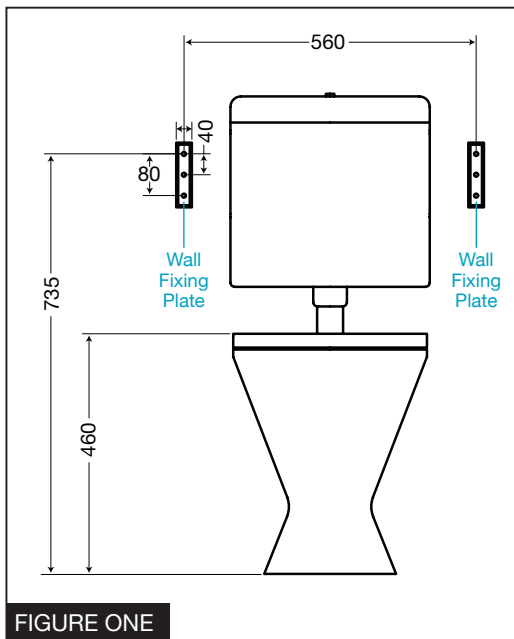
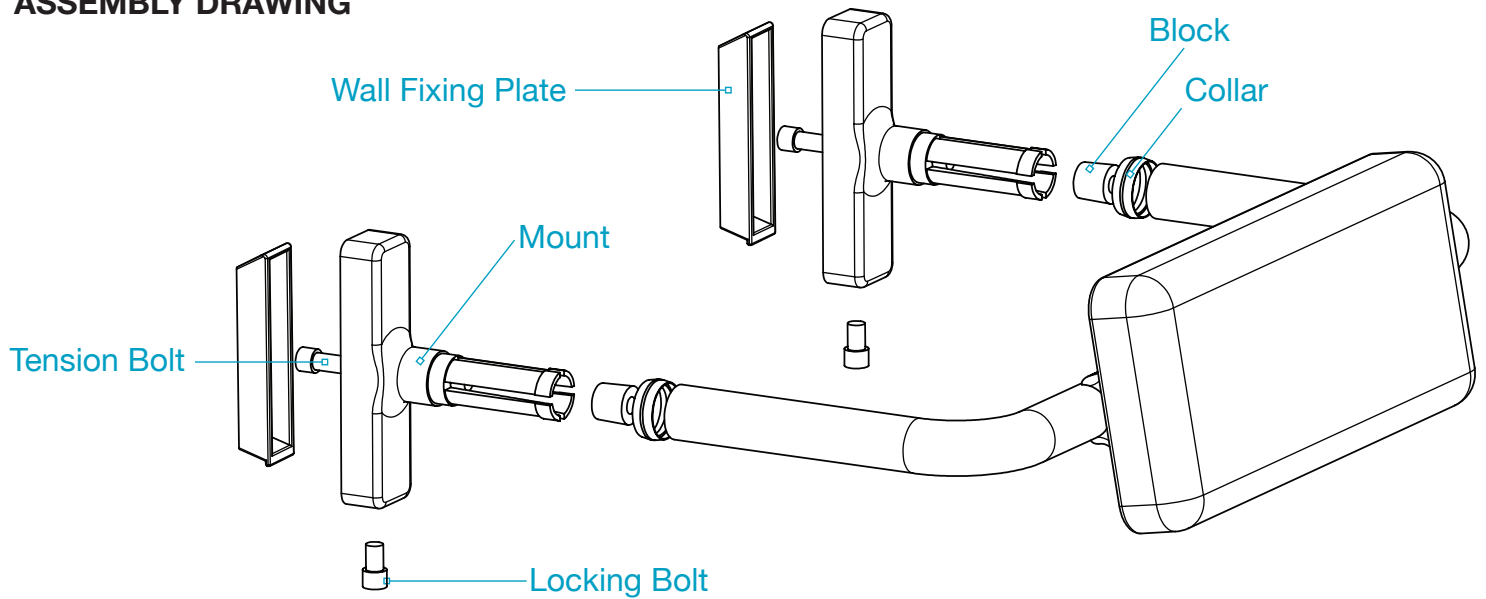


FIGURE ONE

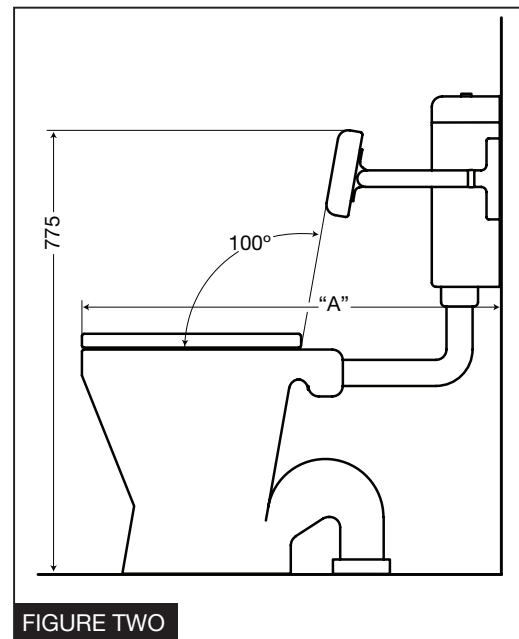


FIGURE TWO

- STEP ONE:** Mount Wall Fixing Plates. Refer Figure One.  
**STEP TWO:** Establish Measurement "A". Refer Figure Two.  
**STEP THREE:** Cut tube to match measurement "A".  
(Line marked on underside of tube)  
**STEP FOUR:** Follow Assembly Drawing.

*Note: Bolt needs to be tensioned to a torque setting of 80Nm*

**BENDTECH™**  
Stainless Steel Tubular Products

7 Barrinia Street, Slacks Creek. Qld 4127  
Phone: (07) 3290 4007  
Fax: (07) 3290 4001  
Email: [info@bendtech.com.au](mailto:info@bendtech.com.au)  
Web: [www.bendtech.com.au](http://www.bendtech.com.au)