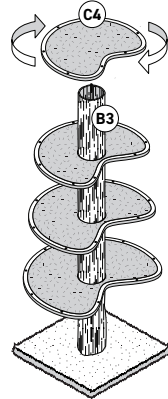
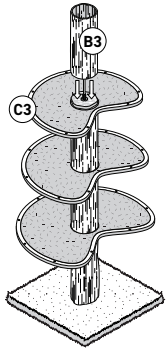


5.1

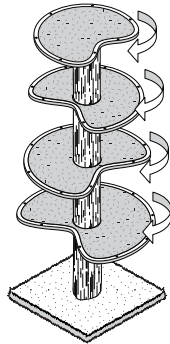
Place Top Trunk (B3) on top of Medium Perch (C3). Make sure the small wood fastener (C5) fits inside trunk.

NOTE: If Small Rod (A3) does not reach the Top Small Perch (C4), unscrew Small Rod (A3) until it screws into Top Perch (C4).



5.3

Rearrange perches so your cat is able to climb easily.



STEP 5

5.2

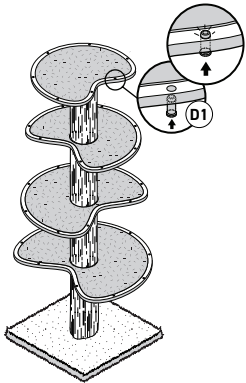
Place Small Perch (C4) over Top Trunk (B3). Rotate Small Perch (C4) clockwise until tight.

STEP 6

Please note that Branches (E1) have been pre-assembled for your convenience.

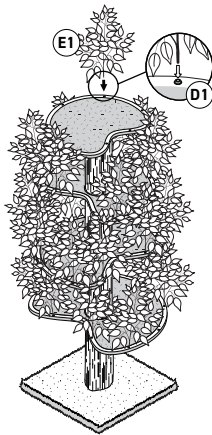
6.1

Insert each Cap (D1) into the slots from underneath on all three perches with open end facing up.



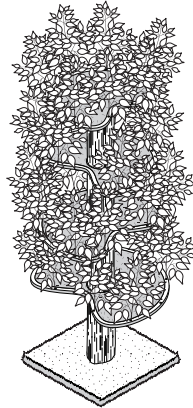
6.2

Push Branch (E1) into the Cap (D1). Press down firmly to secure branch.



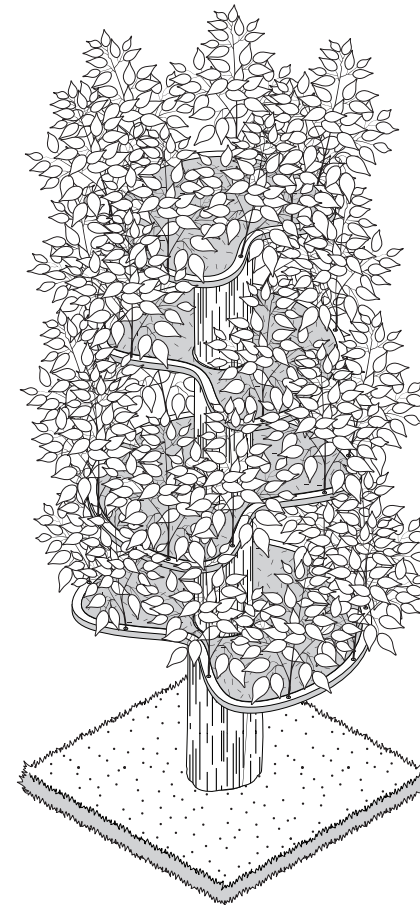
Change branch colors easily and customize to your liking.

NOTE: Additional leaf sets are sold separately and come with their own cap system.



6 FT. INTERCHANGEABLE LEAF BRANCHES CAT TREE

For inquiries or assistance, please contact us at Support@On2Pets.com.



SQUARE BASE

Love your cat furniture? Share a review on [On2Pets.com](https://www.on2pets.com).

PLEASE BE REMINDED: Product not intended for the use of children. Be aware some components may be swallowed. If such event occurs, stop use of the product immediately and check our return and warranty policies.

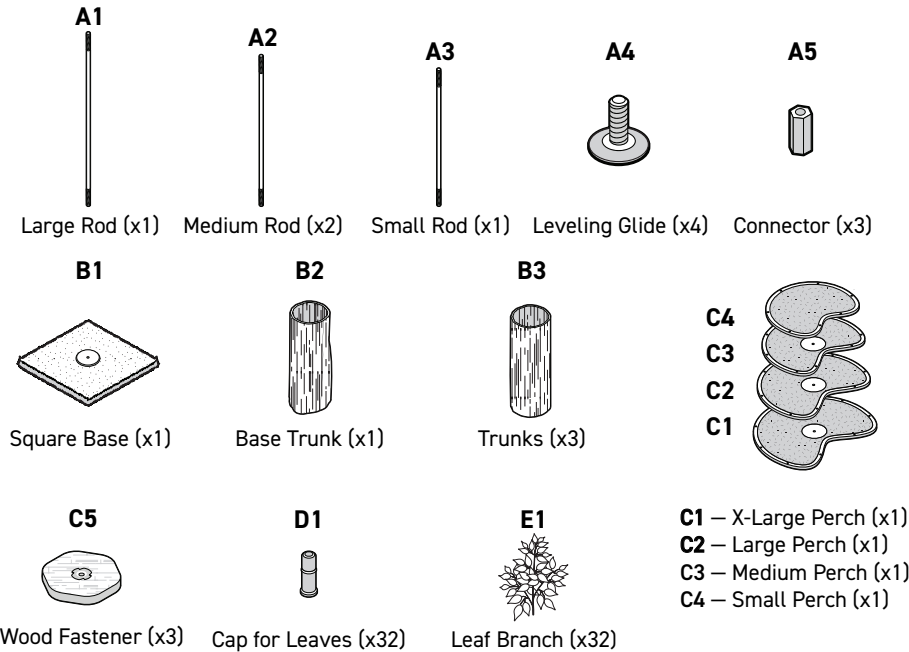
This product is protected by the following USPTO codes: D668,006 / D700,754 / 8,695,533B1 / D688,002

MADE IN THE USA

@On2Pets

PARTS

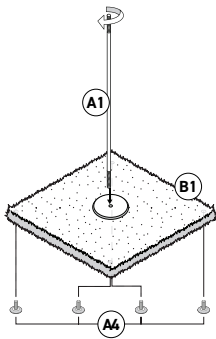
Disclaimer: Please note that Parts **A1, A2, A3** are located on the underside of base (**B1**). Some items may not be drawn to scale.



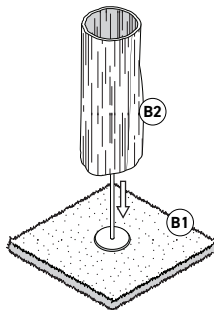
Please note that Branches (**E1**) have been pre-assembled for your convenience.

STEP 1

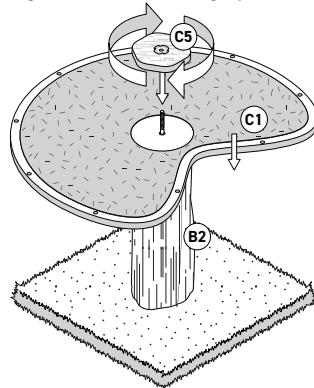
1.1 Insert Leveling Glides (**A4**) into Base (**B1**). Adjust to ensure Base (**B1**) is stable and level. Screw Large Rod (**A1**) into Base (**B1**) until tight.



1.2 Place Base Trunk (**B2**) on top of Base (**B1**). Make sure the wood gasket fits inside trunk.

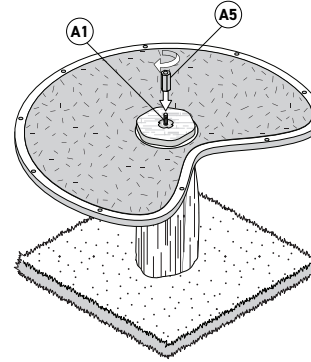


1.3 Place X-Large Perch (**C1**) over Base Trunk (**B2**). Make sure that perch (**C1**) is completely in contact with Base Trunk (**B2**). Screw Wood Fastener (**C5**) until tight with T-nut facing up.

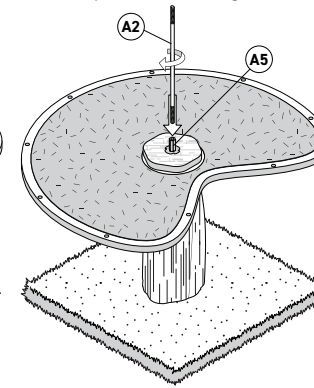


STEP 2

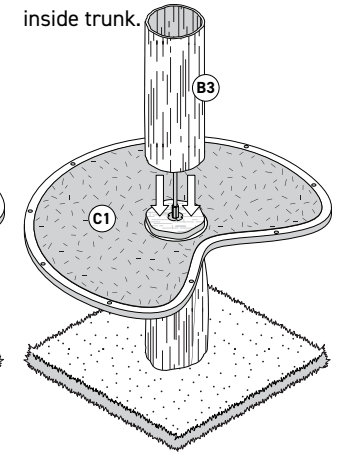
2.1 Then screw Connector (**A5**) into the remaining part of Large Rod (**A1**).



2.2 Screw Medium Rod (**A2**) onto remaining half of Connector (**A5**) until tight.

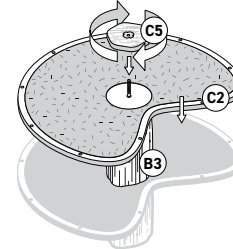


2.3 Place Middle Trunk (**B3**) on top of Perch (**C1**). Make sure the Wood Fastener fits inside trunk.

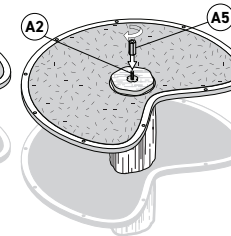


STEP 3

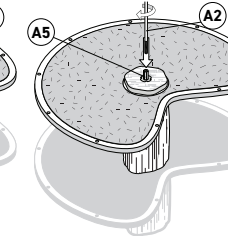
3.1 Place Large Perch (**C2**) over Middle Trunk (**B3**). Make sure that perch (**C2**) is completely in contact with Middle Trunk (**B3**). Screw Wood Fastener (**C5**) until tight with T-nut facing up.



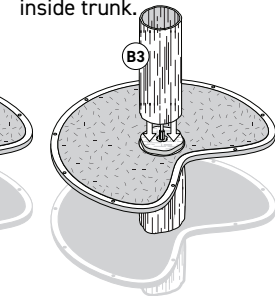
3.2 Screw Connector (**A5**) half way into remaining part of Medium Rod (**A2**).



3.3 Screw Medium Rod (**A2**) into the remaining half of Connector (**A5**) until tight.

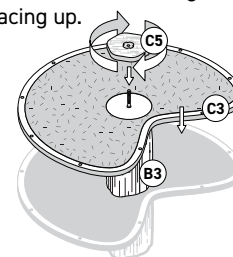


3.4 Place Middle Trunk (**B3**) on top of Perch (**C2**). Make sure the Wood Fastener fits inside trunk.

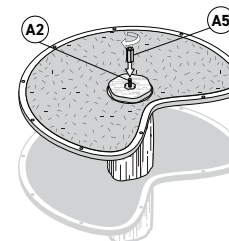


STEP 4

4.1 Place Medium Perch (**C3**) over Middle Trunk (**B3**). Make sure that perch (**C3**) is completely in contact with Middle Trunk (**B3**). Screw Wood Fastener (**C5**) until tight with T-nut facing up.



4.2 Screw Connector (**A5**) half way into remaining part of Medium Rod (**A2**).



4.3 Screw Small Rod (**A3**) into the remaining half of Connector (**A5**) until tight. **NOTE:** Hold Connector (**A5**) steady while rotating rod.

