

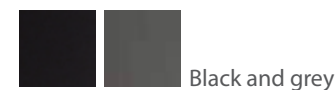
# R3 RANGER

# MULTISHIFT

# SEATING



## COLOUR



## FEATURES

- » Adjustable seat height
- » Adjustable seat depth
- » Adjustable seat and back angle
- » Adjustable headrest
- » Adjustable arms
- » Adjustable weight tension
- » Moulded seat and back foam
- » Synchron mechanism with 3 locking positions
- » Double steel strengthened for both seat and back
- » Saddle seat
- » 720mm Aluminium base
- » Available in black and grey only
- » AFRDI tested to level 6
- » AFRDI tested to multi shift use 160kg
- » 7 Year warranty
- » Weight limit is 160kg

# RANGER

WARRANTY  
**7**  
Year

WEIGHT LIMIT  
**160**  
Kilogram



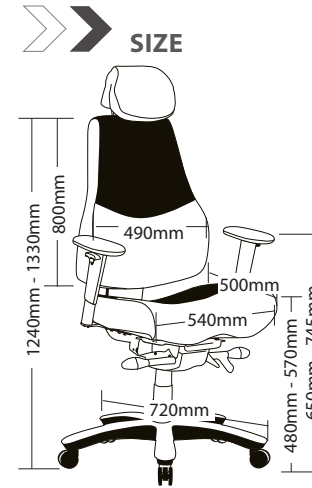
AFRDI 142  
Certification  
AFRDI 142  
**160KG**  
MULTI SHIFT USE



RANGER



Back View



RANGER

## INSTRUCTIONS OF USE

