



# Fuel

Specification Guide

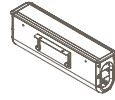
# Fuel

The aesthetic of the Fuel powerbox is simple and elegant with clean lines making all four models both visually appealing and physically sturdy.

# Fuel

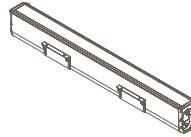
Fuel 90

6



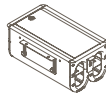
Fuel 91

7



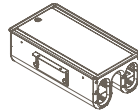
Fuel 95

8



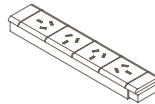
Fuel 98

9

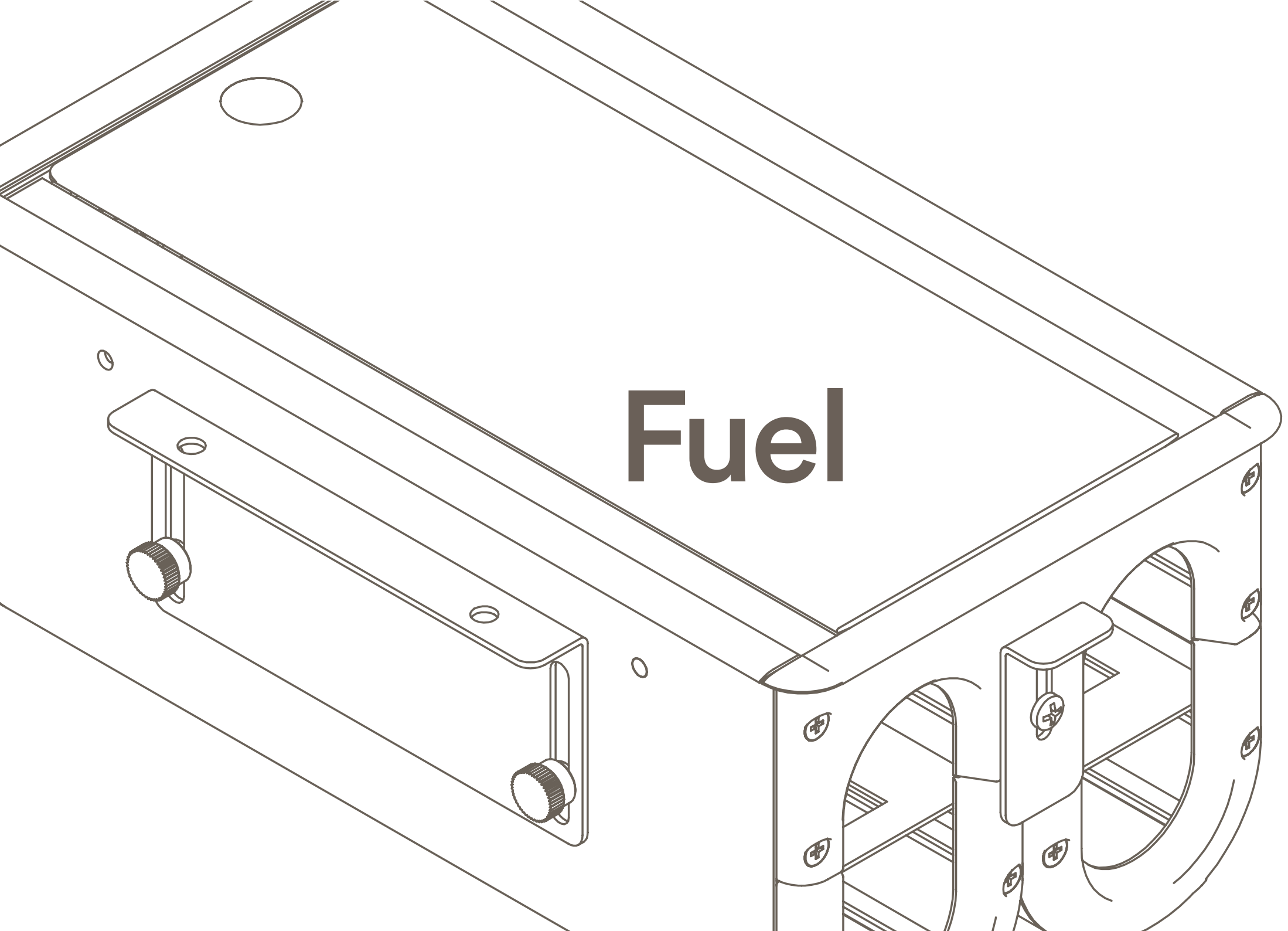


Power, Data +  
AV Accessories

10



Fuel



# Fuel

## Features & Finishes

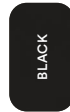
### 1. Lid

- a. Silver Anodized
- b. Black Powdercoat
- c. Veneer



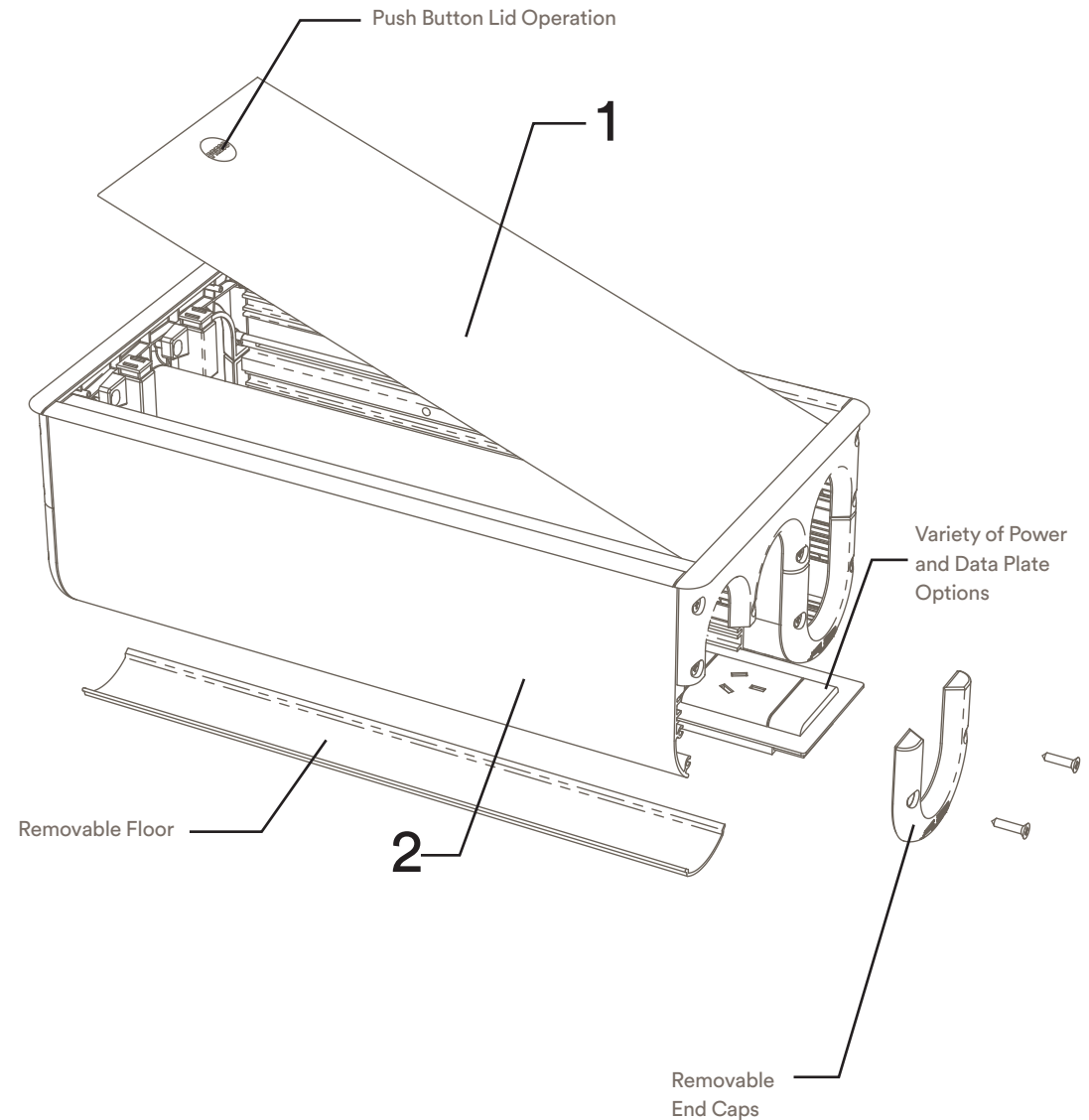
### 2. Chassis

- a. Black Powdercoat



### Features

- Single or Double sided access
- Suitable for Single or Multiple Users
- 4-10 x GPO's
- 3-10 x Data
- Removable Floor - No Cable Bend Restrictions
- Removable end caps for post installation reconfiguration
- Custom mounting plates available
- "Push to Open" Magnetic Catch
- Up to 150mm of additional Mounting Points for Data + Audio/ Visual Accessories



Colours are representative only, please check with your Thinking Works consultant to view samples of any specific colour.

# Fuel 90

## Materials Information

### Lid Finish

- a. Silver Anodized
- b. Black Powdercoat
- c. Veneer

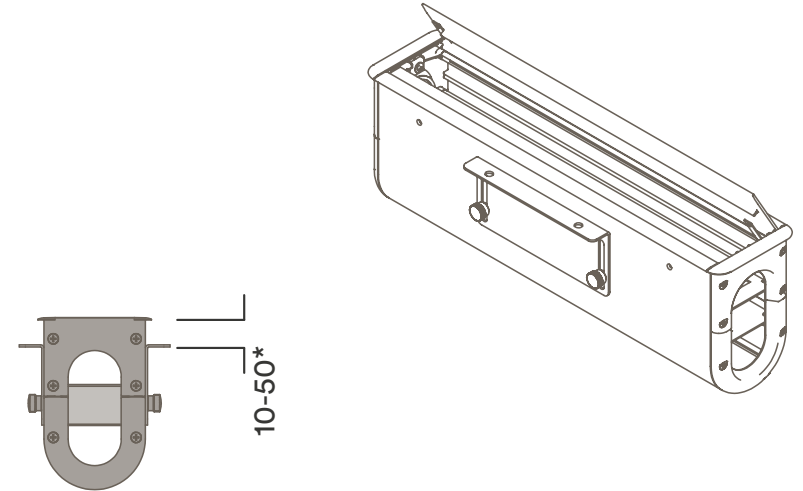
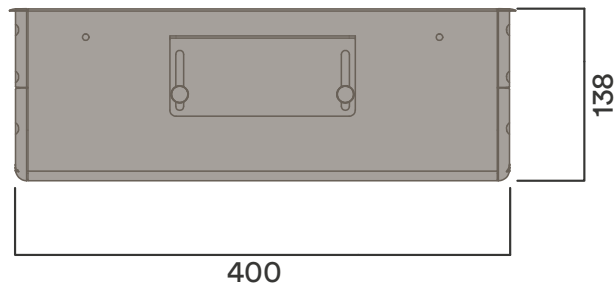
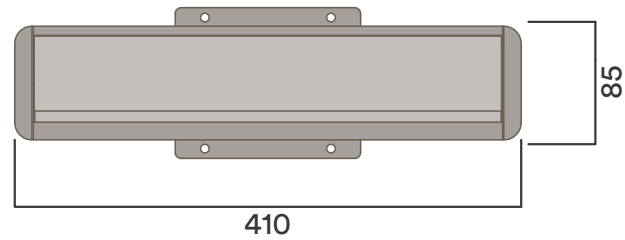
### Chassis Finish

- a. Black Powdercoat

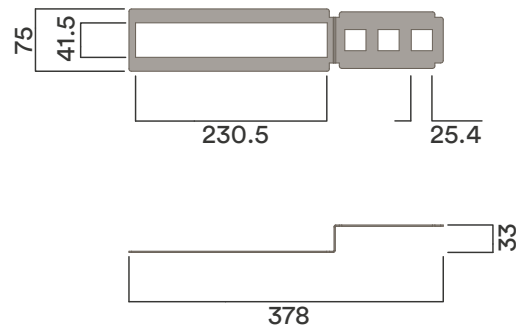
### Data Mounting Plates

- a. Black Powdercoat

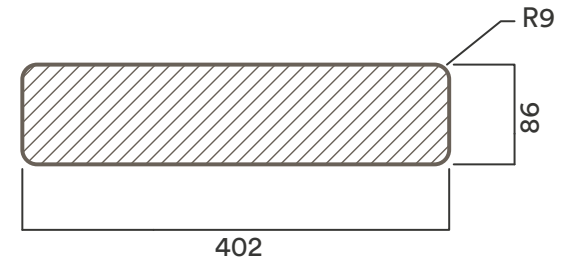
## Fuel 90



## Power/Data Cutouts



## Worktop Cutout



Access  
Users  
GPO's supplied  
Data provision  
\*Worktop Thickness

Single Sided  
Single  
4  
3  
Suits 10-50mm  
Worktop

# Fuel 91

## Materials Information

### Lid Finish

- a. Silver Anodized
- b. Black Powdercoat
- c. Veneer

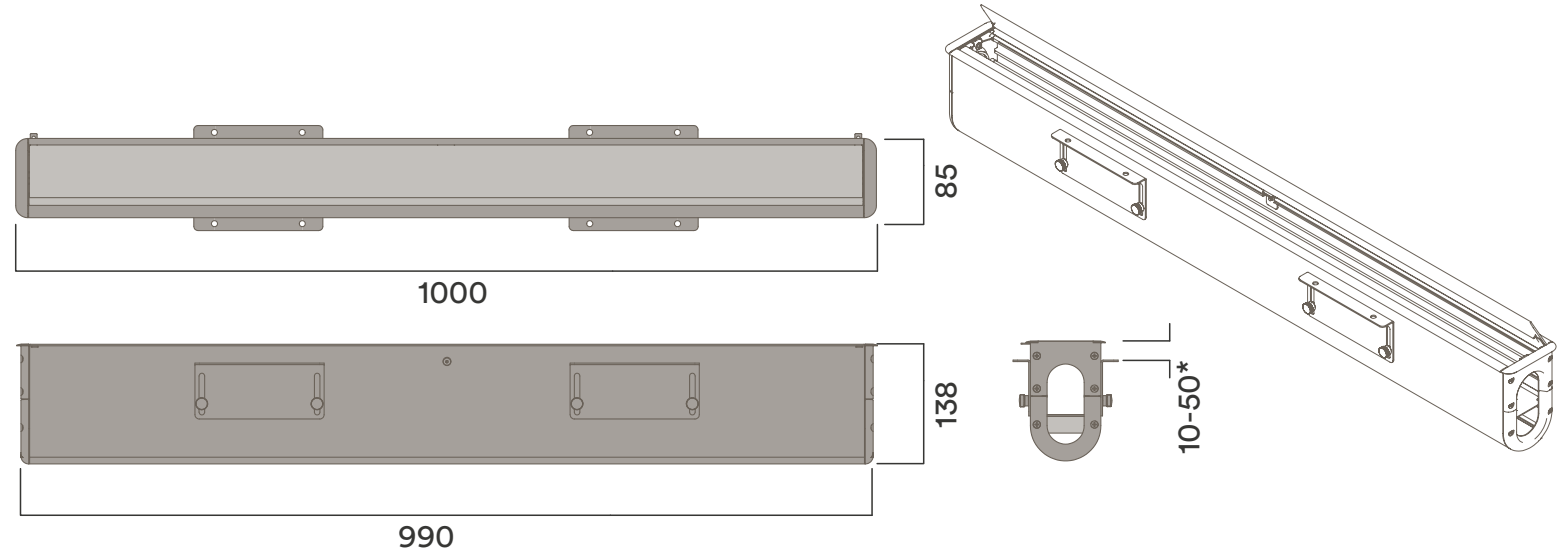
### Chassis Finish

- a. Black Powdercoat

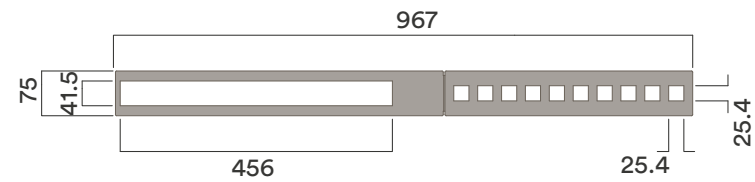
### Data Mounting Plates

- a. Black Powdercoat

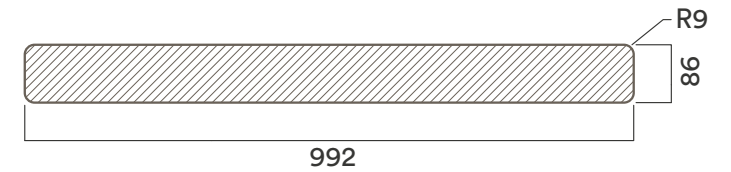
## Fuel 91



## Data Cutouts



## Worktop Cutout



Access  
Users  
GPO's supplied  
Data provision  
\*Worktop Thickness

Single Sided  
Multiple  
4 (Max 6)  
10  
Suits 10-50mm  
Worktop

# Fuel 95

## Materials Information

### Lid Finish

- a. Silver Anodized
- b. Black Powdercoat
- c. Veneer

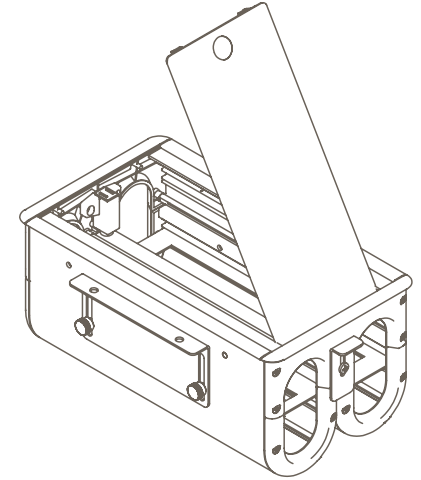
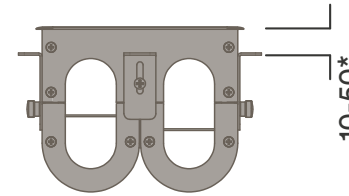
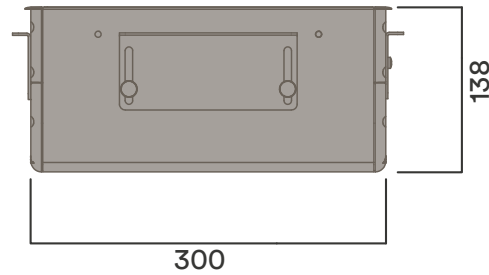
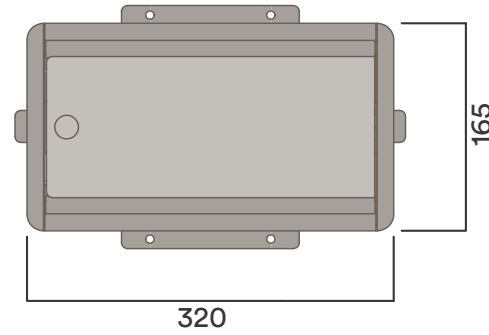
### Chassis Finish

- a. Black Powdercoat

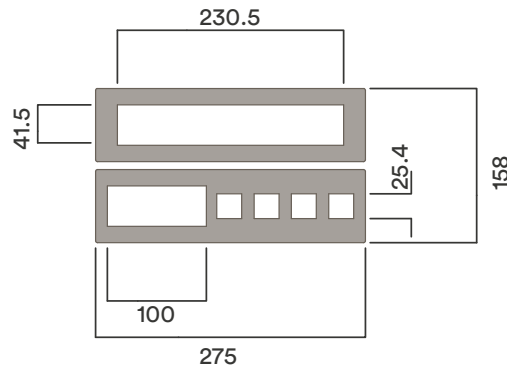
### Data Mounting Plates

- a. Black Powdercoat

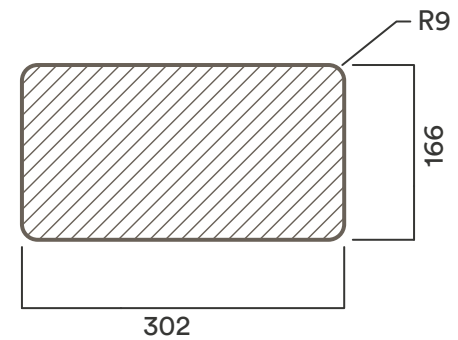
## Fuel 95



## Data Cutouts



## Worktop Cutout



- |                     |                       |
|---------------------|-----------------------|
| Access              | Double Sided          |
| Users               | Multiple              |
| GPO's supplied      | 4                     |
| Data provision      | 4                     |
| Additional Mounting | 100mm                 |
| *Worktop Thickness  | Suits 10-50mm Worktop |

Perfect For Meeting Tables and Desks



# Fuel 98

## Materials Information

### Lid Finish

- a. Silver Anodized
- b. Black Powdercoat
- c. Veneer

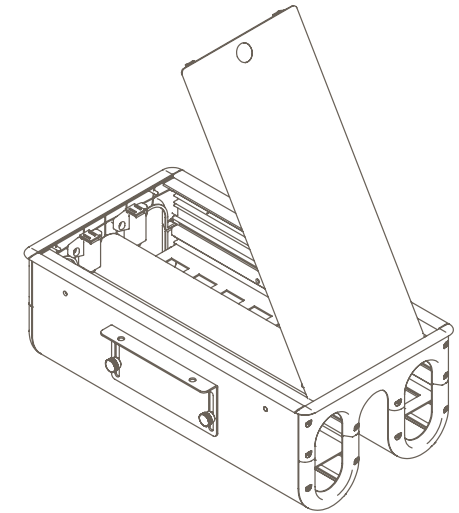
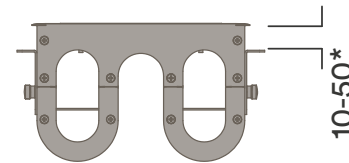
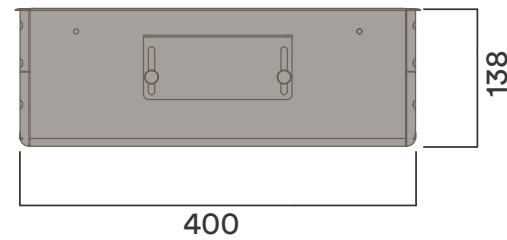
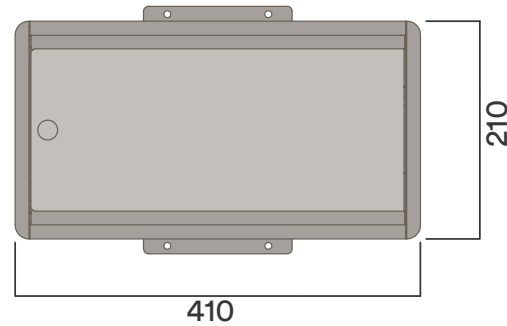
### Chassis Finish

- a. Black Powdercoat

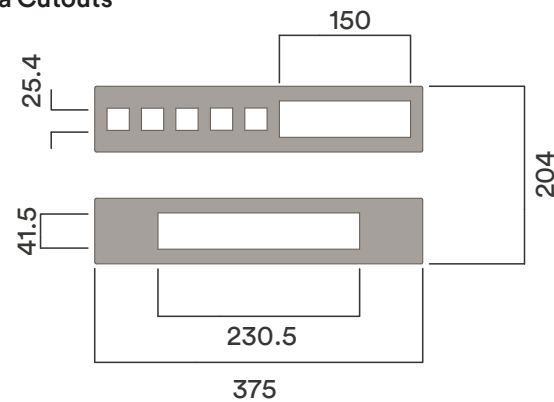
### Data Mounting Plates

- a. Black Powdercoat

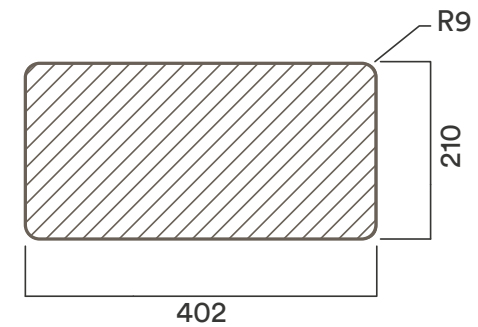
## Fuel 98



## Data Cutouts



## Worktop Cutout



- Access: Double Sided
- Users: Multiple
- GPO's supplied: 4 (Max 6)
- Data provision: 5
- Additional Mounting: 150mm
- \*Worktop Thickness: Suits 10-50mm Worktop

Perfect For Meeting Tables and Desks

# Compatible Power, Data + Audio/Visual Accessories

## Materials Information

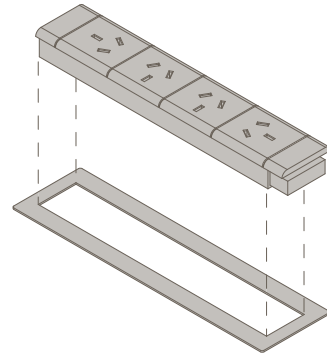
### GPO Outlets

- a. Black
- b. White

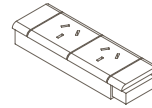
### Tile

- a. Black
- b. White

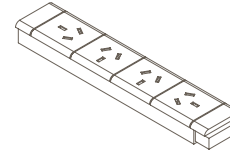
## Compatible GPO Outlets



### AUS

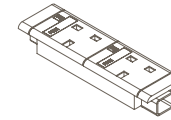


**WSA-E-1001**  
AUS Double GPO unit

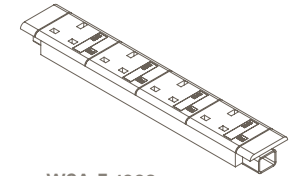


**WSA-E-1000**  
AUS Quad GPO unit

### UK

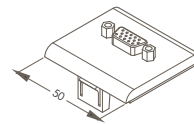
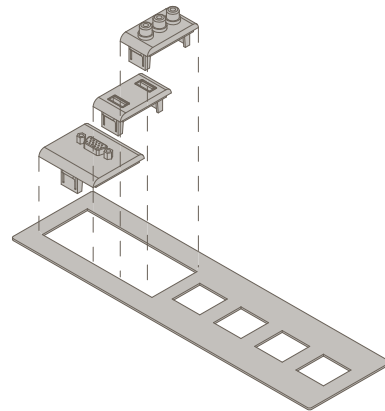


**WSA-E-1007**  
UK/SGP Double GPO unit

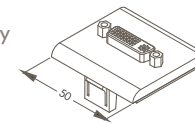


**WSA-E-1008**  
UK/SGP Quad GPO unit

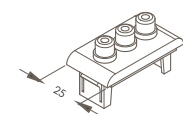
## Data/Audio Visual



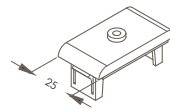
**H-2000**  
VGA high density DB1 connector with rear screw termination



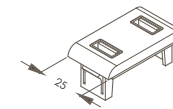
**H-2001**  
DVI female barrel connector with rear screw termination



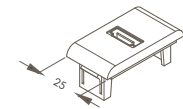
**H-2002**  
RCA x 3 connector with solder tabs



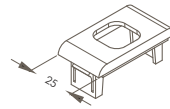
**H-2003**  
3.5mm stereo jack connector with solder tabs



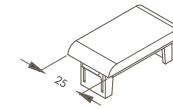
**H-2004**  
USB x 2 port connector



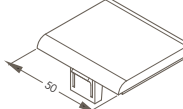
**H-2005**  
HDMI connector



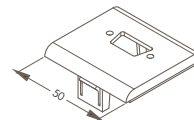
**H-2006**  
Cut out for single data connector



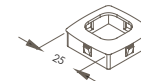
**H-2007**  
25mm Blank



**H-2008**  
50mm Blank



**H-2010**  
Cut out for VGA high density DB15 connector



**H-2030**  
Cut out for single data connector

Data + Audio/Visual Accessories are not supplied with Fuel Powerboxes

For specific Power and Data requirements please contact your local Thinking Works representative



## Specification

If you would like a sample set of any of our finishes, please call us on 61 (0)2 9726 7177 or e-mail at [sales@thinkingw.com](mailto:sales@thinkingw.com).

Due to our policy of continuous product development, specifications and finishes may change without prior notice.

## Sustainability Policy

We realise the importance of responsible business practices and have in place numerous product and company sustainability certifications. We would encourage you to download our annual Sustainability Report from the Thinking Works website to get a full overview of our sustainability program.

Thinking Works  
© Copyright 2019  
All right reserved

Thinking Works  
25 Helles Avenue  
Moorebank  
New South Wales 2170

[www.thinkingw.com](http://www.thinkingw.com)  
61 (0)2 9726 7177  
[sales@thinkingw.com](mailto:sales@thinkingw.com)