

bosco lockers

Australian manufactured lockers to quality endorsed standards



Smart,
Reliable,
& Durable
Lockers

Bosco Lockers are the ideal solution to cost effective and simple storage for many applications and industries including educational, commercial, hospitality and industrial areas. With a wide range of functional sizes and features, there is a Bosco Locker to suit your storage needs.

Australian made to quality endorsed standards, Bosco Storage Solutions have been manufacturing storage products for over 50 years. Bosco lockers are manufactured using the latest technology from high quality steel and powder coated in a range of standard and custom colours.

With several ventilation patterns, door configurations, widths, colours and ganging options available you can customise the locker design to suit your specific requirements.

At Bosco Storage Solutions we take pride in our ability to solve any storage problem and understand customer needs may differ from what is available. If you have a customised locker requirement let our team of dedicated designers find the right solution for you.



BLP1.1800.305.450/1

Standard Locker Features

Bosco Lockers incorporate many quality features that ensure a practical and low-maintenance storage product.

Each free standing locker is available in two widths, 305mm and 380mm with a standard height of 1800mm.

For larger configurations each size is available in banks of 2, 3 & 4 and can ganged together in even bigger groups to form entire rows.

Each compartment is secured using a camlock key lock with the option of master keying if required.

Conventional single tier lockers are equipped with a single shelf for personal items and a coat rail for clothes hanging space.

Additional accessories available including:

- Sloping Tops
- Padlock Provision Locking
- Three Point Locking (single tier)
- Numbered Laminate Plaques
- Custom colours. Standard colour is APO Grey.

All products manufactured by Bosco Storage Solutions have a 5 year manufacturers warranty on all materials and workmanship.



Perforated air ventilation gives a modern appearance and provides excellent air flow.



Door stiffener provides rigidity and strength over the life of the locker. Folded design.



Individual key lock doors keeps items secure and personalised.



Coat hanging rail available on single door locker for hanging clothing.



Louvred air ventilation gives a classic appearance and provides excellent air flow.



Ganging option allows multiple lockers to be fixed together to form large banks.



180 degree opening door hinge allows total access to each compartment.



Perimeter door surround, prevents door from being forced inwards.

BLP1.1800.305.450/1

One Tier Steel Locker | Initial | Perforated Door

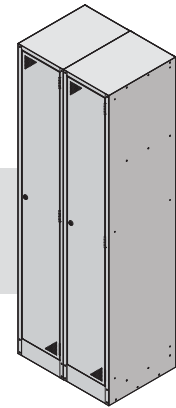
Size (L x W x D)	1800 x 305 x 450	mm
Door Size (L x W)	1671 x 251	mm
Tier Qty	1	
Bank Qty	1	
Additional Shelf	Yes	
Ventilation Pattern	Perforated	mm
Per Door Storage	0.22	m ³
Shelf Load Capacity	15	kg



BLP1.1800.305.450/2

One Tier Steel Locker | Bank of 2 | Perforated Door

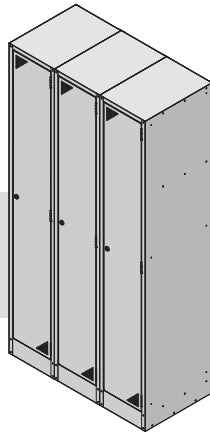
Size (L x W x D)	1800 x 610 x 450	mm
Door Size (L x W)	1671 x 251	mm
Tier Qty	1	
Bank Qty	2	
Additional Shelf	Yes	
Ventilation Pattern	Perforated	mm
Per Door Storage	0.22	m ³
Shelf Load Capacity	15	kg



BLP1.1800.305.450/3

One Tier Steel Locker | Bank of 3 | Perforated Door

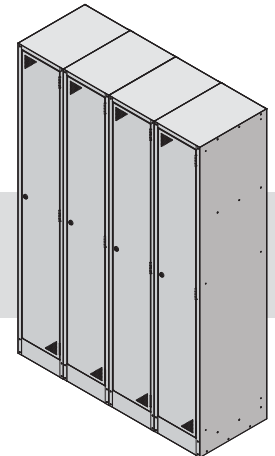
Size (L x W x D)	1800 x 915 x 450	mm
Door Size (L x W)	1671 x 251	mm
Tier Qty	1	
Bank Qty	3	
Additional Shelf	Yes	
Ventilation Pattern	Perforated	mm
Per Door Storage	0.22	m ³
Shelf Load Capacity	15	kg



BLP1.1800.305.450/4

One Tier Steel Locker | Bank of 4 | Perforated Door

Size (L x W x D)	1800 x 1220 x 450	mm
Door Size (L x W)	1671 x 251	mm
Tier Qty	1	
Bank Qty	4	
Additional Shelf	Yes	
Ventilation Pattern	Perforated	mm
Per Door Storage	0.22	m ³
Shelf Load Capacity	15	kg



BLP2.1800.305.450/1

Two Tier Steel Locker | Initial | Perforated Door

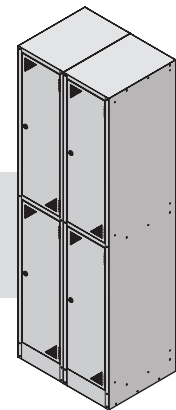
Size (L x W x D)	1800 x 305 x 450	mm
Door Size (L x W)	821 x 251	mm
Tier Qty	2	
Bank Qty	1	
Additional Shelf	No	
Ventilation Pattern	Perforated	mm
Per Door Storage	0.11	m ³
Shelf Load Capacity	15	kg



BLP2.1800.305.450/2

Two Tier Steel Locker | Bank of 2 | Perforated Door

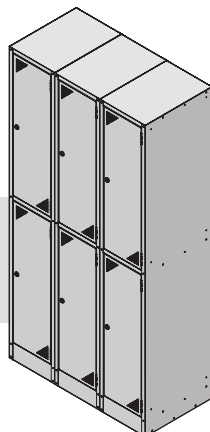
Size (L x W x D)	1800 x 610 x 450	mm
Door Size (L x W)	821 x 251	mm
Tier Qty	2	
Bank Qty	2	
Additional Shelf	No	
Ventilation Pattern	Perforated	mm
Per Door Storage	0.11	m ³
Shelf Load Capacity	15	kg



BLP2.1800.305.450/3

Two Tier Steel Locker | Bank of 3 | Perforated Door

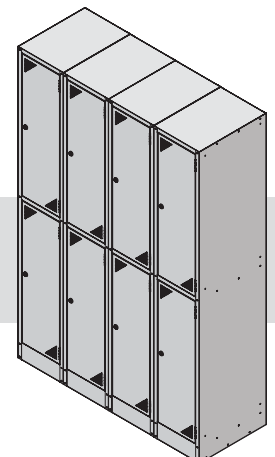
Size (L x W x D)	1800 x 915 x 450	mm
Door Size (L x W)	821 x 251	mm
Tier Qty	2	
Bank Qty	3	
Additional Shelf	No	
Ventilation Pattern	Perforated	mm
Per Door Storage	0.11	m ³
Shelf Load Capacity	15	kg



BLP2.1800.305.450/4

Two Tier Steel Locker | Bank of 4 | Perforated Door

Size (L x W x D)	1800 x 1220 x 450	mm
Door Size (L x W)	821 x 251	mm
Tier Qty	2	
Bank Qty	4	
Additional Shelf	No	
Ventilation Pattern	Perforated	mm
Per Door Storage	0.11	m ³
Shelf Load Capacity	15	kg



BLP3.1800.305.450/1

Three Tier Steel Locker | Initial | Perforated Door

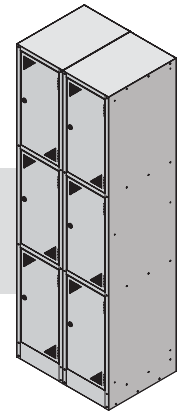
Size (L x W x D)	1800 x 305 x 450	mm
Door Size (L x W)	538 x 251	mm
Tier Qty	3	
Bank Qty	1	
Additional Shelf	No	
Ventilation Pattern	Perforated	mm
Per Door Storage	0.074	m ³
Shelf Load Capacity	15	kg



BLP3.1800.305.450/2

Three Tier Steel Locker | Bank of 2 | Perforated Door

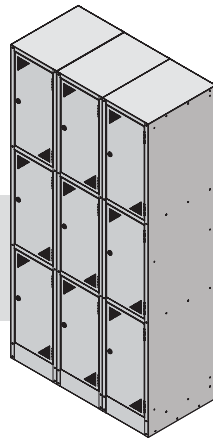
Size (L x W x D)	1800 x 610 x 450	mm
Door Size (L x W)	538 x 251	mm
Tier Qty	3	
Bank Qty	2	
Additional Shelf	No	
Ventilation Pattern	Perforated	mm
Per Door Storage	0.074	m ³
Shelf Load Capacity	15	kg



BLP3.1800.305.450/3

Three Tier Steel Locker | Bank of 3 | Perforated Door

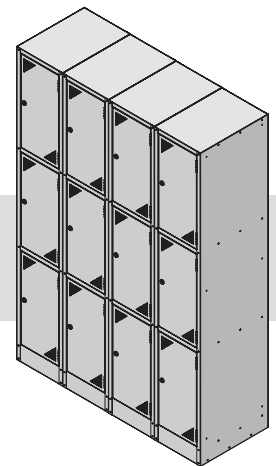
Size (L x W x D)	1800 x 305 x 450	mm
Door Size (L x W)	538 x 251	mm
Tier Qty	3	
Bank Qty	3	
Additional Shelf	No	
Ventilation Pattern	Perforated	mm
Per Door Storage	0.074	m ³
Shelf Load Capacity	15	kg



BLP3.1800.305.450/4

Three Tier Steel Locker | Bank of 4 | Perforated Door

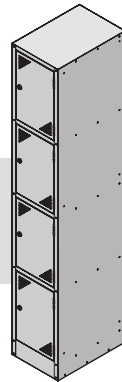
Size (L x W x D)	1800 x 1220 x 450	mm
Door Size (L x W)	538 x 251	mm
Tier Qty	3	
Bank Qty	4	
Additional Shelf	No	
Ventilation Pattern	Perforated	mm
Per Door Storage	0.074	m ³
Shelf Load Capacity	15	kg



BLP4.1800.305.450/1

Four Tier Steel Locker | Initial | Perforated Door

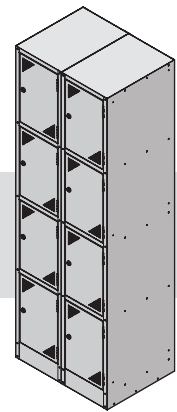
Size (L x W x D)	1800 x 305 x 450	mm
Door Size (L x W)	396 x 251	mm
Tier Qty	4	
Bank Qty	1	
Additional Shelf	No	mm
Ventilation Pattern	Perforated	mm
Per Door Storage	0.055	m ³
Shelf Load Capacity	15	kg



BLP4.1800.305.450/2

Four Tier Steel Locker | Bank of 2 | Perforated Door

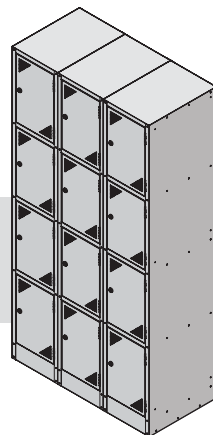
Size (L x W x D)	1800 x 610 x 450	mm
Door Size (L x W)	396 x 251	mm
Tier Qty	4	
Bank Qty	2	
Additional Shelf	No	
Ventilation Pattern	Perforated	mm
Per Door Storage	0.055	m ³
Shelf Load Capacity	15	kg



BLP4.1800.305.450/3

Four Tier Steel Locker | Bank of 3 | Perforated Door

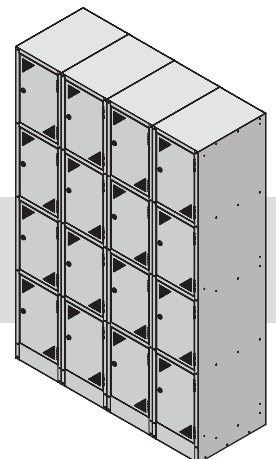
Size (L x W x D)	1800 x 915 x 450	mm
Door Size (L x W)	396 x 251	mm
Tier Qty	4	
Bank Qty	3	
Additional Shelf	No	
Ventilation Pattern	Perforated	mm
Per Door Storage	0.055	m ³
Shelf Load Capacity	15	kg



BLP4.1800.305.450/4

Four Tier Steel Locker | Bank of 4 | Perforated Door

Size (L x W x D)	1800 x 1220 x 450	mm
Door Size (L x W)	396 x 251	mm
Tier Qty	4	
Bank Qty	4	
Additional Shelf	No	
Ventilation Pattern	Perforated	mm
Per Door Storage	0.055	m ³
Shelf Load Capacity	15	kg



BLP1.1800.380.450/1

One Tier Steel Locker | Initial | Perforated Door

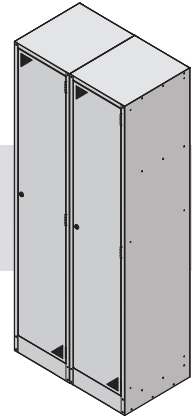
Size (L x W x D)	1800 x 380 x 450	mm
Door Size (L x W)	1671 x 251	mm
Tier Qty	1	
Bank Qty	1	
Additional Shelf	Yes	
Ventilation Pattern	Perforated	mm
Per Door Storage	0.28	m ³
Shelf Load Capacity	15	kg



BLP1.1800.380.450/2

One Tier Steel Locker | Bank of 2 | Perforated Door

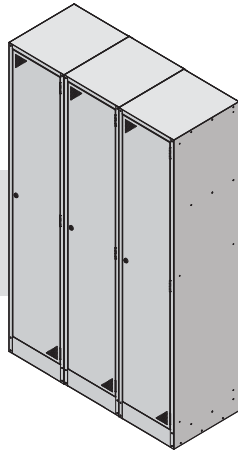
Size (L x W x D)	1800 x 760 x 450	mm
Door Size (L x W)	1671 x 251	mm
Tier Qty	1	
Bank Qty	2	
Additional Shelf	Yes	
Ventilation Pattern	Perforated	mm
Per Door Storage	0.28	m ³
Shelf Load Capacity	15	kg



BLP1.1800.380.450/3

One Tier Steel Locker | Bank of 3 | Perforated Door

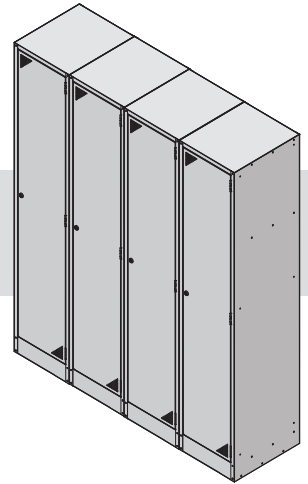
Size (L x W x D)	1800 x 1140 x 450	mm
Door Size (L x W)	1671 x 251	mm
Tier Qty	1	
Bank Qty	3	
Additional Shelf	Yes	
Ventilation Pattern	Perforated	mm
Per Door Storage	0.28	m ³
Shelf Load Capacity	15	kg



BLP1.1800.380.450/4

One Tier Steel Locker | Bank of 4 | Perforated Door

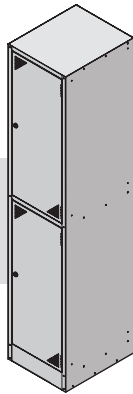
Size (L x W x D)	1800 x 1520 x 450	mm
Door Size (L x W)	1671 x 251	mm
Tier Qty	1	
Bank Qty	4	
Additional Shelf	Yes	
Ventilation Pattern	Perforated	mm
Per Door Storage	0.28	m ³
Shelf Load Capacity	15	kg



BLP2.1800.380.450/1

Two Tier Steel Locker | Initial | Perforated Door

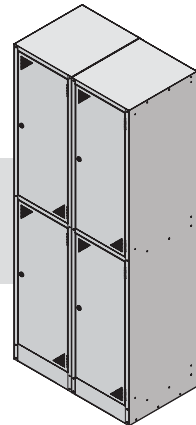
Size (L x W x D)	1800 x 305 x 450	mm
Door Size (L x W)	821 x 326	mm
Tier Qty	2	
Bank Qty	1	
Locker Shelf Qty	2	mm
Ventilation Pattern	Perforated	mm
Per Door Storage	0.14	m ³
Shelf Load Capacity	15	kg



BLP2.1800.380.450/2

Two Tier Steel Locker | Bank of 2 | Perforated Door

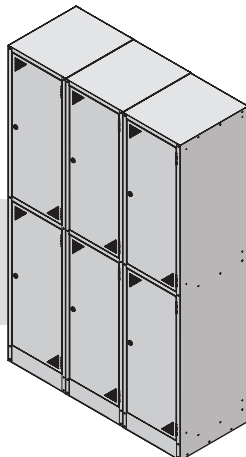
Size (L x W x D)	1800 x 610 x 450	mm
Door Size (L x W)	821 x 326	mm
Tier Qty	2	
Bank Qty	2	
Additional Shelf	No	
Ventilation Pattern	Perforated	mm
Per Door Storage	0.14	m ³
Shelf Load Capacity	15	kg



BLP2.1800.380.450/3

Two Tier Steel Locker | Bank of 3 | Perforated Door

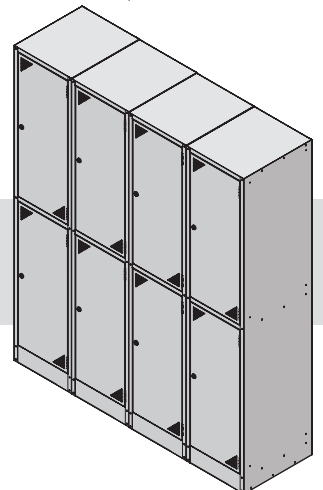
Size (L x W x D)	1800 x 915 x 450	mm
Door Size (L x W)	821 x 326	mm
Tier Qty	2	
Bank Qty	3	
Additional Shelf	No	
Ventilation Pattern	Perforated	mm
Per Door Storage	0.14	m ³
Shelf Load Capacity	15	kg



BLP2.1800.380.450/4

Two Tier Steel Locker | Bank of 4 | Perforated Door

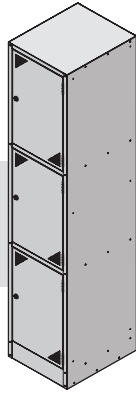
Size (L x W x D)	1800 x 1220 x 450	mm
Door Size (L x W)	821 x 326	mm
Tier Qty	2	
Bank Qty	4	
Additional Shelf	No	
Ventilation Pattern	Perforated	mm
Per Door Storage	0.14	m ³
Shelf Load Capacity	15	kg



BLP3.1800.380.450/1

Three Tier Steel Locker | Initial | Perforated Door

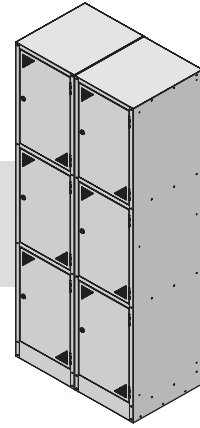
Size (L x W x D)	1800 x 380 x 450	mm
Door Size (L x W)	538 x 326	mm
Tier Qty	3	
Bank Qty	1	
Additional Shelf	No	
Ventilation Pattern	Perforated	mm
Storage Capacity	0.092	m ³
Shelf Load Capacity	15	kg



BLP3.1800.380.450/2

Three Tier Steel Locker | Bank of 2 | Perforated Door

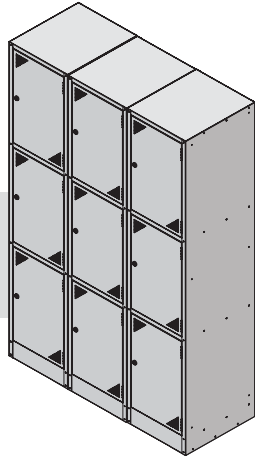
Size (L x W x D)	1800 x 760 x 450	mm
Door Size (L x W)	538 x 326	mm
Tier Qty	3	
Bank Qty	2	
Additional Shelf	No	
Ventilation Pattern	Perforated	mm
Storage Capacity	0.092	m ³
Shelf Load Capacity	15	kg



BLP3.1800.380.450/3

Three Tier Steel Locker | Bank of 3 | Perforated Door

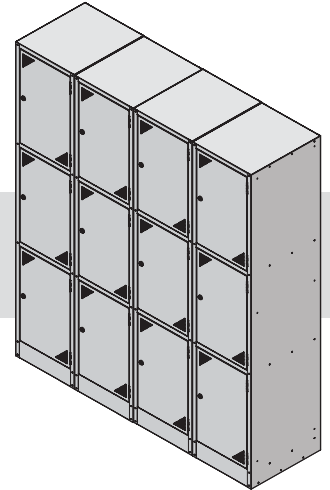
Size (L x W x D)	1800 x 1140 x 450	mm
Door Size (L x W)	538 x 326	mm
Tier Qty	3	
Bank Qty	3	
Additional Shelf	No	
Ventilation Pattern	Perforated	mm
Storage Capacity	0.092	m ³
Shelf Load Capacity	15	kg



BLP3.1800.380.450/4

Three Tier Steel Locker | Bank of 4 | Perforated Door

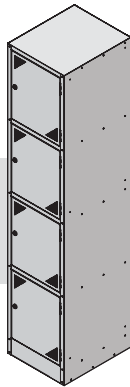
Size (L x W x D)	1800 x 1520 x 450	mm
Door Size (L x W)	538 x 326	mm
Tier Qty	3	
Bank Qty	4	
Additional Shelf	No	
Ventilation Pattern	Perforated	mm
Storage Capacity	0.092	m ³
Shelf Load Capacity	15	kg



BLP4.1800.380.450/1

Four Tier Steel Locker | Initial | Perforated Door

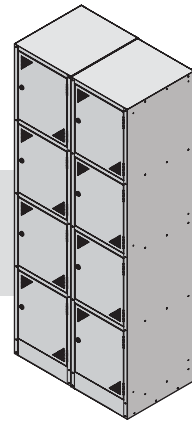
Size (L x W x D)	1800 x 305 x 450	mm
Door Size (L x W)	396 x 326	mm
Tier Qty	4	
Bank Qty	1	
Additional Shelf	No	
Ventilation Pattern	Perforated	mm
Per Door Storage	0.069	m ³
Shelf Load Capacity	15	kg



BLP4.1800.380.450/2

Four Tier Steel Locker | Bank of 2 | Perforated Door

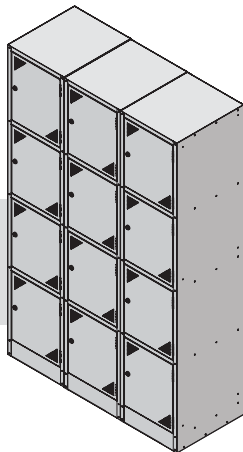
Size (L x W x D)	1800 x 610 x 450	mm
Door Size (L x W)	396 x 326	mm
Tier Qty	4	
Bank Qty	2	
Additional Shelf	No	
Ventilation Pattern	Perforated	mm
Per Door Storage	0.069	m ³
Shelf Load Capacity	15	kg



BLP4.1800.380.450/3

Four Tier Steel Locker | Bank of 3 | Perforated Door

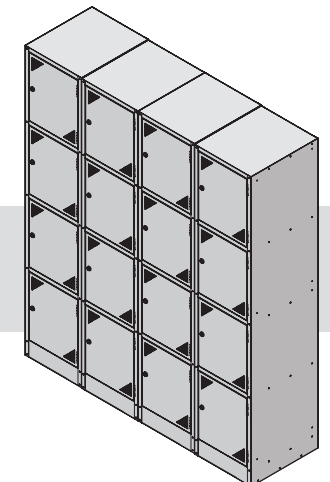
Size (L x W x D)	1800 x 915 x 450	mm
Door Size (L x W)	396 x 326	mm
Tier Qty	4	
Bank Qty	3	
Additional Shelf	No	
Ventilation Pattern	Perforated	mm
Per Door Storage	0.069	m ³
Shelf Load Capacity	15	kg



BLP4.1800.380.450/4

Four Tier Steel Locker | Bank of 4 | Perforated Door

Size (L x W x D)	1800 x 1220 x 450	mm
Door Size (L x W)	396 x 326	mm
Tier Qty	4	
Bank Qty	4	
Additional Shelf	No	
Ventilation Pattern	Perforated	mm
Per Door Storage	0.069	m ³
Shelf Load Capacity	15	kg



BLL1.1800.380.450/1

One Tier Steel Locker | Initial | Louvred Door

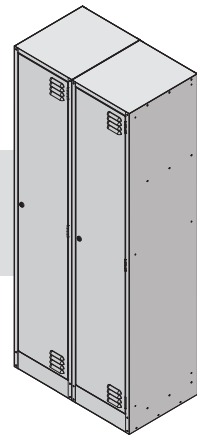
Size (L x W x D)	1800 x 380 x 450	mm
Door Size (L x W)	1671 x 326	mm
Tier Qty	1	
Bank Qty	1	
Additional Shelf	Yes	
Ventilation Pattern	Louvred	
Per Door Storage	0.28	m ³
Shelf Load Capacity	15	kg



BLL1.1800.380.450/2

One Tier Steel Locker | Bank of 2 | Louvred Door

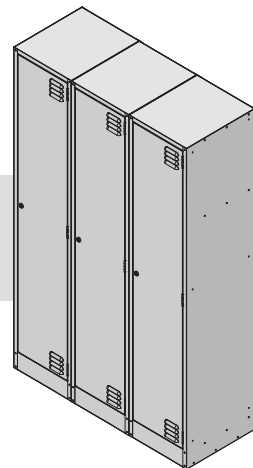
Size (L x W x D)	1800 x 760 x 450	mm
Door Size (L x W)	1671 x 326	mm
Tier Qty	1	
Bank Qty	2	
Additional Shelf	Yes	
Ventilation Pattern	Louvred	
Per Door Storage	0.28	m ³
Shelf Load Capacity	15	kg



BLL1.1800.380.450/3

One Tier Steel Locker | Bank of 3 | Louvred Door

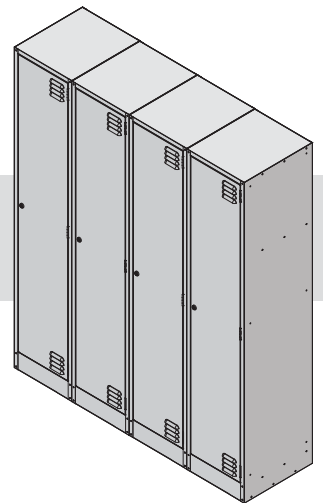
Size (L x W x D)	1800 x 1140 x 450	mm
Door Size (L x W)	1671 x 326	mm
Tier Qty	1	
Bank Qty	3	
Additional Shelf	Yes	
Ventilation Pattern	Louvred	
Per Door Storage	0.28	m ³
Shelf Load Capacity	15	kg



BLL1.1800.380.450/4

One Tier Steel Locker | Bank of 4 | Louvred Door

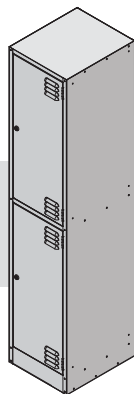
Size (L x W x D)	1800 x 1520 x 450	mm
Door Size (L x W)	1671 x 326	mm
Tier Qty	1	
Bank Qty	4	
Additional Shelf	Yes	
Ventilation Pattern	Louvred	
Per Door Storage	0.28	m ³
Shelf Load Capacity	15	kg



BLL2.1800.380.450/1

Two Tier Steel Locker | Initial | Louvred Door

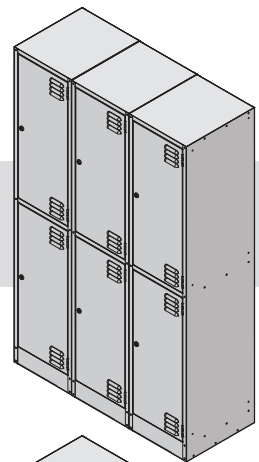
Size (L x W x D)	1800 x 305 x 450	mm
Door Size (L x W)	821 x 326	mm
Tier Qty	2	
Bank Qty	1	
Additional Shelf	No	
Ventilation Pattern	Louvred	
Per Door Storage	0.14	m ³
Shelf Load Capacity	15	kg



BLL2.1800.380.450/2

Two Tier Steel Locker | Bank of 2 | Louvred Door

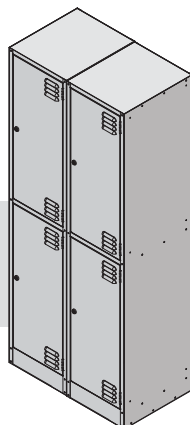
Size (L x W x D)	1800 x 610 x 450	mm
Door Size (L x W)	821 x 326	mm
Tier Qty	2	
Bank Qty	2	
Additional Shelf	No	
Ventilation Pattern	Louvred	
Per Door Storage	0.14	m ³
Shelf Load Capacity	15	kg



BLL2.1800.380.450/3

Two Tier Steel Locker | Bank of 3 | Louvred Door

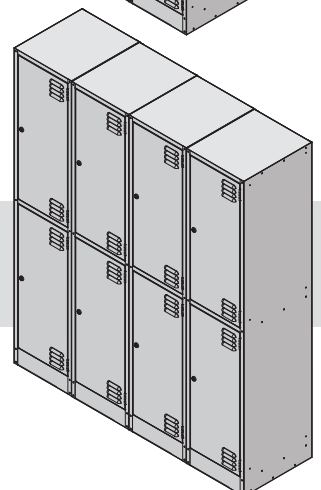
Size (L x W x D)	1800 x 915 x 450	mm
Door Size (L x W)	821 x 326	mm
Tier Qty	2	
Bank Qty	3	
Additional Shelf	No	
Ventilation Pattern	Louvred	
Per Door Storage	0.14	m ³
Shelf Load Capacity	15	kg



BLL2.1800.380.450/4

Two Tier Steel Locker | Bank of 4 | Louvred Door

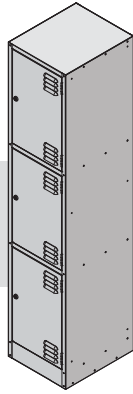
Size (L x W x D)	1800 x 1220 x 450	mm
Door Size (L x W)	821 x 326	mm
Tier Qty	2	
Bank Qty	4	
Additional Shelf	No	
Ventilation Pattern	Louvred	
Per Door Storage	0.14	m ³
Shelf Load Capacity	15	kg



BLL3.1800.380.450/1

Three Tier Steel Locker | Initial | Louvred Door

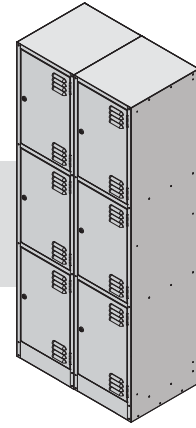
Size (L x W x D)	1800 x 380 x 450	mm
Door Size (L x W)	538 x 326	mm
Tier Qty	3	
Bank Qty	1	
Additional Shelf	No	
Ventilation Pattern	Louvred	
Per Door Storage	0.092	m ³
Shelf Load Capacity	15	kg



BLL3.1800.380.450/2

Three Tier Steel Locker | Bank of 2 | Louvred Door

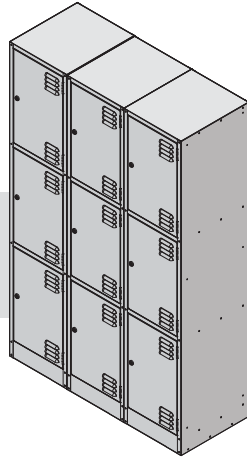
Size (L x W x D)	1800 x 760 x 450	mm
Door Size (L x W)	538 x 326	mm
Tier Qty	3	
Bank Qty	2	
Additional Shelf	No	
Ventilation Pattern	Louvred	
Per Door Storage	0.092	m ³
Shelf Load Capacity	15	kg



BLL3.1800.380.450/3

Three Tier Steel Locker | Bank of 3 | Louvred Door

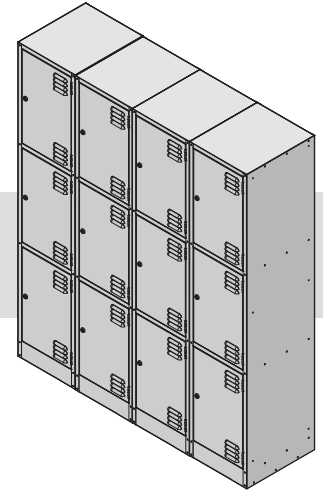
Size (L x W x D)	1800 x 1140 x 450	mm
Door Size (L x W)	538 x 326	mm
Tier Qty	3	
Bank Qty	3	
Additional Shelf	No	
Ventilation Pattern	Louvred	
Per Door Storage	0.092	m ³
Shelf Load Capacity	15	kg



BLL3.1800.380.450/4

Three Tier Steel Locker | Bank of 4 | Louvred Door

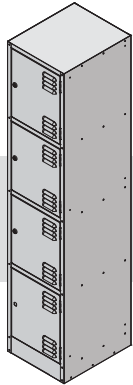
Size (L x W x D)	1800 x 1520 x 450	mm
Door Size (L x W)	538 x 326	mm
Tier Qty	3	
Bank Qty	4	
Additional Shelf	No	
Ventilation Pattern	Louvred	
Per Door Storage	0.092	m ³
Shelf Load Capacity	15	kg



BLL4.1800.380.450/1

Four Tier Steel Locker | Initial | Louvred Door

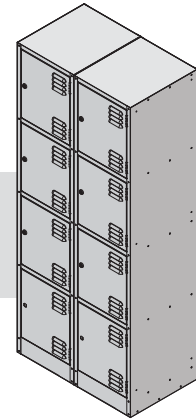
Size (L x W x D)	1800 x 305 x 450	mm
Door Size (L x W)	396 x 326	mm
Tier Qty	4	
Bank Qty	1	
Additional Shelf	No	
Ventilation Pattern	Louvred	
Per Door Storage	0.069	m ³
Shelf Load Capacity	15	kg



BLL4.1800.380.450/2

Four Tier Steel Locker | Bank of 2 | Louvred Door

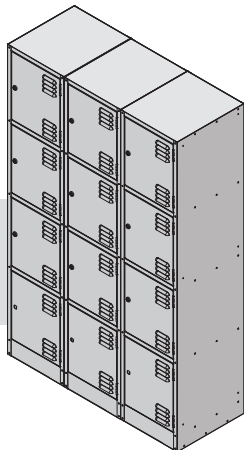
Size (L x W x D)	1800 x 610 x 450	mm
Door Size (L x W)	396 x 326	mm
Tier Qty	4	
Bank Qty	2	
Additional Shelf	No	
Ventilation Pattern	Louvred	
Per Door Storage	0.069	m ³
Shelf Load Capacity	15	kg



BLL4.1800.380.450/3

Four Tier Steel Locker | Bank of 3 | Louvred Door

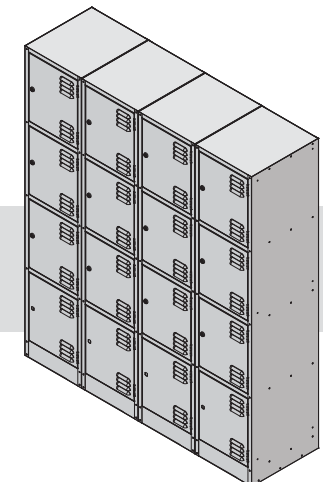
Size (L x W x D)	1800 x 915 x 450	mm
Door Size (L x W)	396 x 326	mm
Tier Qty	4	
Bank Qty	3	
Additional Shelf	No	
Ventilation Pattern	Louvred	
Per Door Storage	0.069	m ³
Shelf Load Capacity	15	kg



BLL4.1800.380.450/4

Four Tier Steel Locker | Bank of 4 | Louvred Door

Size (L x W x D)	1800 x 1220 x 450	mm
Door Size (L x W)	396 x 326	mm
Tier Qty	4	
Bank Qty	4	
Additional Shelf	No	
Ventilation Pattern	Louvred	
Per Door Storage	0.069	m ³
Shelf Load Capacity	15	kg





bosco storage solutions

A division of Advance Metal Products (Aust) Pty Ltd
ACN: 003 154 210

t: +61 2 8796 6288
f: +61 2 8796 6289
e: sales@boscostorage.com.au

PO Box 5469 BC
Minto NSW 2566 Australia
www.boscostorage.com.au

