



SIAT

M. J. MAILLIS GROUP

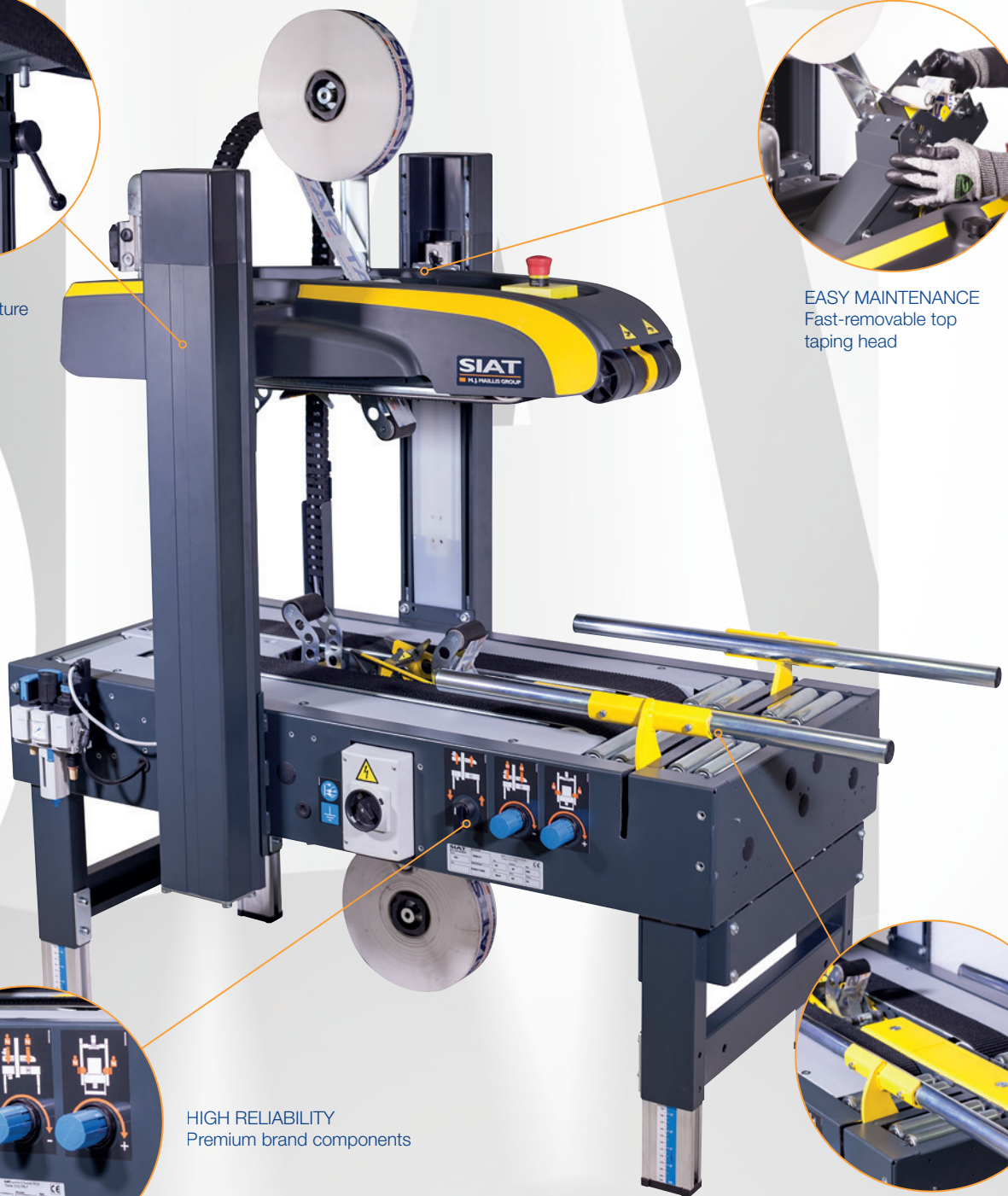
SR20 Semi Automatic Carton Sealers



STRONG DESIGN
Solid H frame structure



EASY MAINTENANCE
Fast-removable top taping head



HIGH RELIABILITY
Premium brand components



PERFECT CONTROL
Thanks to the 4 belts and the random adjustment on the box size



for more details:

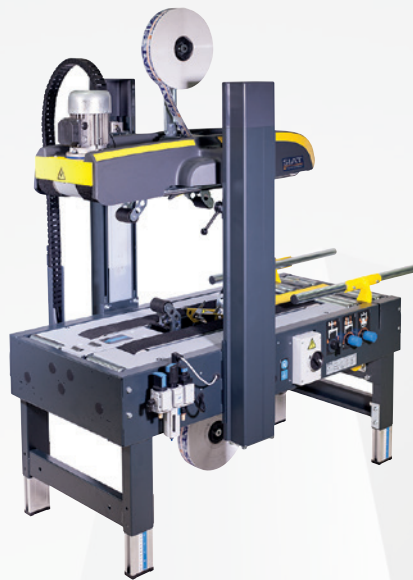


SR20

The semi-automatic case sealer **SR20** represents the ideal solution when your packaging line processes boxes with different dimension. Thanks to the 4 belts box control, the sealing process is always guaranteed without jams, also in case of overstuffed and empty boxes. The pneumatic system allows a fast adaptation to a large range of box dimensions. The robust dual masts frame and the branded components make the **SR20** ready for round-the-clock applications. The historical SIAT machines reliability is always guaranteed! The fast-removable taping head, the easy access to the motors and the clear cable management allow an efficient check of the machine, facilitating maintenance operations.



other languages: www.siat.com

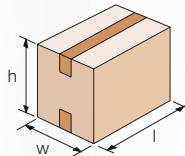


> **Machine dimensions**
Dimensioni macchina
Machinmessungen
Dimensions de la machine
Dimensiones de máquina

| Packaging size / weight | | | LxWxH |
|-------------------------|-----|-----|------------|
| > SR20 | 170 | 190 | 130x78x115 |

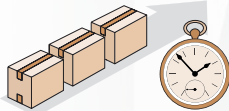
| | Min. | Max |
|-------|----------|----------|
| L | 1240 | - |
| L1 | 1395 | - |
| W | 740 | - |
| H | 1265 | 1605 |
| cbh | 485 | 825 |
| AS 77 | cbh +110 | cbh +110 |
| AS 80 | cbh +160 | cbh +160 |

> **Box dimensions**
Dimensioni delle scatole
Kartonabmessungen
Dimensions des boîtes
Dimensiones de cajas



| | K11R std. / K12R on demand | |
|----|----------------------------|-----|
| | Min. | Max |
| l | 150 | ∞ |
| w* | 140 / 170 | 500 |
| h | 100 | 500 |

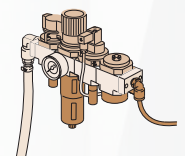
> **Production capacity**
Capacità di produzione
Produktionskapazität
Capacité de production
Capacidad de producción



| > SR20 | Bph |
|---------------|-----|
| Max pcs.* | 900 |

* Always based on shorter manageable box

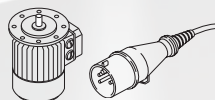
> **Air consumption**
Consumo aria
Druckluftverbrauch
Consommation air comprimé
Consumo de arie



| > SR4 | NL. |
|--------------|-----|
| Cycle | 9 |

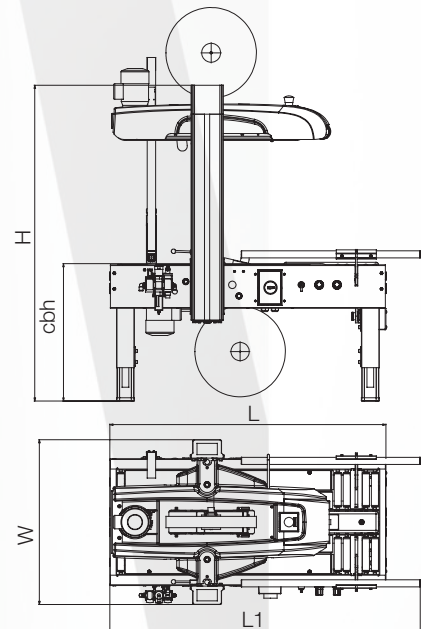
from 5,5 bar to 7 bar

> **Standard voltage**
Voltaggio standard
Standardspannung
Tension standard
Voltaje estándar

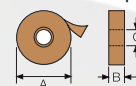


| > SR20 | 380/415V - 50Hz - 3P | |
|---------------|----------------------|--|
| Amps | 1,08 | |
| Power kW | 0,26 | |
| Phase | 3Ph + N + PE | |

> **SR20**



> **Taping units**
Unità nastranti
Verschliesseinheiten
Unités enrubanneuses
Unidades de precinto



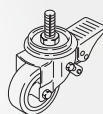
| | K11R/ K12R |
|---|------------|
| | mm |
| A | 410 Max |
| B | 50 / 75 |
| C | 76 |

> **Optionals**
Accessori
Zubehör
Accessories
Accesorios

> **AS80**
Higher legs
Set gambe più alte
Höhere Stützen
Pieds plus hauts
Patas más altas



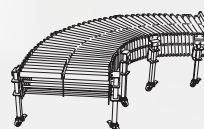
> **AS77**
Casters
Set ruote
Rädchen
Roulettes
Ruedas



> **RG**
Roller conveyor
Piani a rulli
Rollenbahnen
Plans à rouleaux
Rodillos libres



> **GTL - GTR**
Extendable conveyor
Rulliera estensibile
Ausziehbare rollenbahnen
Convoyeur extensible
Rodillos extensibles



> **K-125 / K-250**
Inkjet printer
Stampante ad inchiostro
Tintenstrahldrucker
Marqueur à jet d'encre
Impresora de inyección de tinta

