



# HD-TVI 2MP Vandal Dome

Wide Angle 2.8mm Lens Option

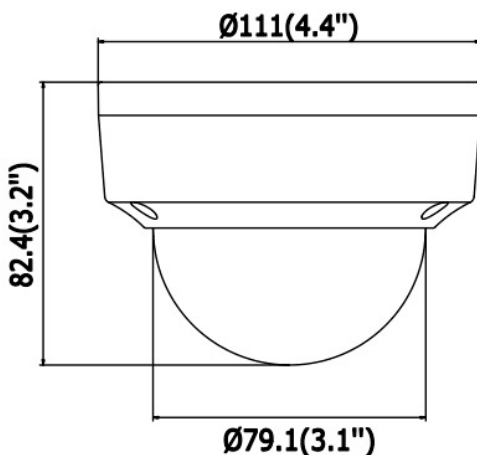
## Quick Features:

- 2 Megapixel (1920 x 1080) Resolution
- HD-TVI Technology
- 3D DNR, True WDR
- IP66 Weather Resistant
- IK10 Vandal Resistant
- 12VDC Power Input
- Up the coax OSD control

## Box Contents:

- TVD1080-2.8 Camera
- Mounting Diagram
- Mounting Hardware

## Dimensional Drawing & Connectors:



Model Number	TVD1080-2.8
Image Sensor	1/3" Progressive 2MP CMOS
Min. illumination	0.01 lux @ (F1.2, AGC ON), 0 lux with IR
Shutter time	1/25s ~ 1/50,000s
Lens	2.8mm @ F1.2
Angle adjustment	Pan: 0° ~ 360°, tilt 0° ~ 80°
Digital noise reduction	3D DNR
Wide dynamic range	True WDR
Day & night	IR cut filter with auto switch
Video compression	HD-TVI
Dual stream	No
CBVS Output	No
Effective Pixels	1928 x 1088
Max. image resolution	1920 x 1080
Frame rate	30fps (1980x1080)
Image settings	Saturation, brightness, contrast, sharpness adjustable through OSD
System compatibility	HD-TVI protocol
Connection Interfaces	BNC 75-ohm Female 2.1 x 5.5mm Power Jack
Operating conditions	-40°C ~ 60°C (-40°F ~ 140°F) humidity 90% or less (non-condensing)
Power supply	12 VDC +/- 15%, 5W Max
Ratings	IP66 & IK10
IR range	Up to 65ft
Dimensions	ø4.4" x 3.2"
Weight	0.82 lbs