



4-IN-1 5MP Turret Camera

Wide Angle 2.8mm Lens Option

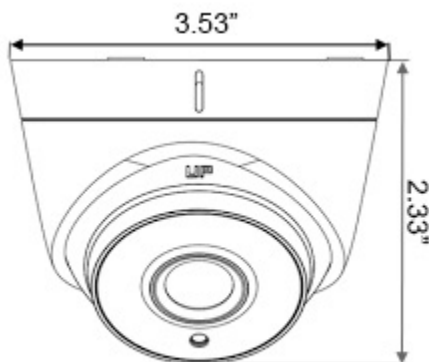
Quick Features:

- 5 Megapixel (2560 x 1920) Resolution
- HD 4-in-1 Technology (TVI/CVI/AHD/CVBS)
- OSD menu, DNR, Smart IR
- 60 ft IR distance
- IP67 weatherproof
- DWDR
- UTC (Up the Coax) OSD Control

Box Contents:

- TTC5M-2.8D Camera
- Mounting Diagram
- Mounting Hardware

Dimensional Drawing & Connectors:



Model Number	TTC5M-2.8D
Image Sensor	1/3" Progressive 5MP CMOS
Min. illumination	0.01 lux @ (F1.2, AGC ON), 0 lux with IR
Shutter time	1/30s ~ 1/50,000s
Lens	2.8mm @ F1.2
Angle adjustment	Pan 0° ~ 360°, Tilt 0° ~ 75°, Rotate 0° ~ 360°
Digital noise reduction	3D DNR
Wide dynamic range	Digital WDR
Day & night	ICR
Video compression	TVI/CVI/AHD/CVBS
Smart IR	Yes
CBVS Output	Yes - Selectable
Effective Pixels	2560 x 1944
Max. image resolution	2560 x 1944
Frame rate	20fps (2560x1944)
Image settings	Saturation, brightness, contrast, sharpness adjustable through OSD
System compatibility	TVI/CVI/AHD/CVBS
Connection Interfaces	BNC 75-ohm Female 2.1 x 5.5mm Power Jack OSD Controller
Operating conditions	-40°C ~ 60°C (-40°F ~ 140°F) humidity 90% or less (non-condensing)
Power supply	12 VDC +/- 15%, 4.3W Max
Ratings	IP67 Weatherproof
IR range	Up to 60ft
Dimensions	Ø3.53" x 2.33"
Weight	0.77 lbs

Please Note: This camera has a pushbutton controller that is used to select the video format. Default Format: HD-TVI