



HD-TVI 3MP Bullet Camera

Standard 3.6mm Lens Option

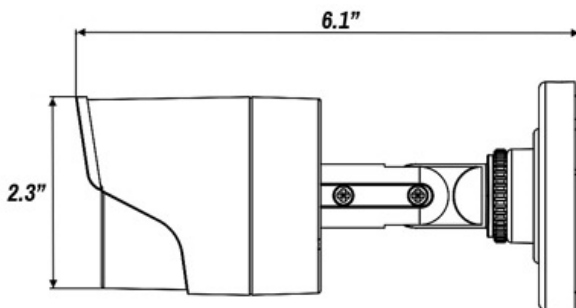
Quick Features:

- 3 Megapixel (1920 x 1536) Resolution
- HD-TVI Technology
- 3D DNR, True WDR
- IP66 Weather Resistant
- 12VDC Power Input
- Up the coax OSD control

Box Contents:

- TBC1536 Camera
- Mounting Diagram
- Mounting Hardware

Dimensional Drawing & Connectors:



Model Number	TBC1536
Image Sensor	1/3" Progressive 3MP CMOS
Min. illumination	0.01 lux @ (F1.2, AGC ON), 0 lux with IR
Shutter time	1/25s ~ 1/50,000s
Lens	3.6mm @ F2.0
Angle adjustment	Pan: 0° ~ 360°, tilt 0° ~ 90°
Digital noise reduction	3D DNR
Wide dynamic range	True WDR
Day & night	IR cut filter with auto switch
Video compression	HD-TVI
Dual stream	No
CBVS Output	No
Effective Pixels	1920 x 1536
Max. image resolution	1920 x 1536
Frame rate	18fps (1980x1536)
Image settings	Saturation, brightness, contrast, sharpness adjustable through OSD
System compatibility	HD-TVI protocol
Connection Interfaces	BNC 75-ohm Female 2.1 x 5.5mm Power Jack
Operating conditions	-40°C ~ 60°C (-40°F ~ 140°F) humidity 90% or less (non-condensing)
Power supply	12 VDC +/- 15%, 5W Max
Ratings	IP66
IR range	Up to 65ft
Dimensions	2.3" x 2.19" x 6.05"
Weight	0.82 lbs