



IP 6MP Bullet Camera

Standard 4.0mm Lens Option

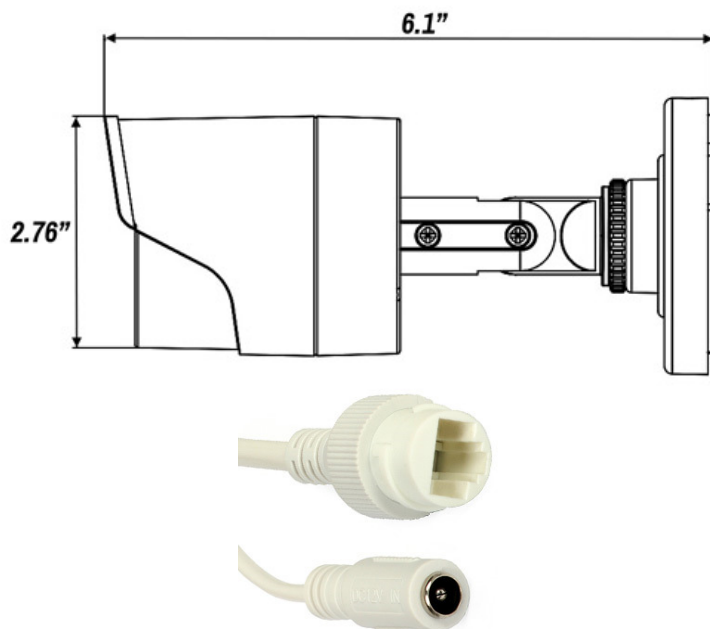
Quick Features:

- 6 Megapixel (3072 x 2048) Resolution
- 3D DNR, True WDR, BLC
- IP67 Weather Resistant
- PoE or 12VDC Power Input
- Integrated Reset Button
- H.265 Video Compression

Box Contents:

- IBC6M Camera
- Mounting Diagram
- Mounting Hardware
- Weatherproof Connector Assembly

Dimensional Drawing & Connectors:



Model Number	IBC6M
Image Sensor	1/2.9" Progressive 6MP CMOS
Min. illumination	0.01 lux @ (F1.2, AGC ON), 0 lux with IR
Shutter time	1/3s ~ 1/100,000s
Lens	4.0mm @ F1.2
Angle adjustment	Pan: 0° ~ 360°, tilt 0° ~ 90°, Rotation: 0-360°
Digital noise reduction	3D DNR
Wide dynamic range	120dB WDR
Day & night	True
Video compression	H.265 / H.265+ / H.264 / H.264+ / MJPEG
Dual stream	Yes
Audio	No
Alarm	No
Max. image resolution	3072 x 2048
Frame rate	20fps (3072 x 2048)
Image settings	Saturation, brightness, contrast, sharpness adjustable through client software or web browser
BLC	Yes, Zone optional
On Board Storage	On Board Micro SD Slot (up to 128GB)
Alarm trigger	Motion detection, tampering alarm
Protocols	TCP/IP, HTTP, DHCP, DNS, DDNS, RTP, RTSP, PPPoE, SMTP, NTP, SNMP, HTTPS, FTP, 802.1x, Qos
System compatibility	ONVIF, PSIA, CGI
General functionalities	User authentication, watermark
Communication interface	1 RJ45 10M / 100M Ethernet interface
Operating conditions	-30°C ~ 60°C (-22°F ~ 140°F) humidity 90% or less (non-condensing)
Power supply	12 VDC +/- 10%, PoE (802.3af), 7W Max
Ratings	IP67
IR range	Up to 100ft
Dimensions	2.76" x 6.1"
Weight	0.9 lbs