



# IP 4MP EXIR Bullet Camera

Standard 4mm Lens Option

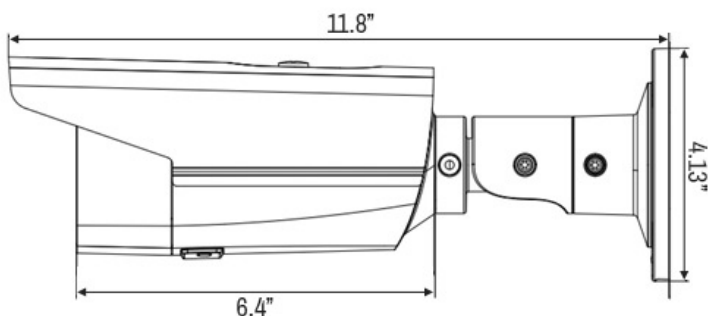
## Quick Features:

- 4 megapixel (2688 x 1520) resolution
- Full HD 4MP Video Output
- True WDR & 3D DNR & BLC
- IR Range up to 150ft
- IP67 Weather Proof
- Integrated Sunshield

## Box Contents:

- IBC4M-EXIR Camera
- Mounting Diagram
- Mounting Hardware
- Weatherproof Connector Assembly

## Dimensional Drawing & Connectors:



Model Number	IBC4M-EXIR
Image Sensor	1/3" Progressive 4MP CMOS
Min. illumination	0.01 lux @ (F1.2, AGC ON), 0 lux with IR
Shutter time	1/3s ~ 1/100,000s
Lens	4mm @ F1.2 - Angle of view: 78°
Angle adjustment	Yes
Digital noise reduction	3D DNR
Wide dynamic range	120dB WDR
Day & night	True
Video compression	H.265 / H.265+ / H.264 / H.264+ / MJPEG
Dual stream	Yes
Audio	No
Alarm	No
Max. image resolution	2688 x 1520
Frame rate	30fps (2688x1520)
Image settings	Saturation, brightness, contrast, sharpness adjustable through client software or web browser
BLC	Yes, Zone optional
On Board Storage	No
Alarm trigger	Motion detection, tampering alarm
Protocols	TCP/IP, HTTP, DHCP, DNS, DDNS, RTP, RTSP, PPPoE, SMTP, NTP, SNMP, HTTPS, FTP, 802.1x, Qos
System compatibility	ONVIF, PSIA, CGI
General functionalities	User authentication, watermark
Communication interface	1 RJ45 10M / 100M Ethernet interface
Operating conditions	-30°C ~ 60°C (-22°F ~ 140°F) humidity 90% or less (non-condensing)
Power supply	12 VDC +/- 10%, PoE (802.3af), 9.5W Max
Ratings	IP67
IR range	Up to 150ft
Dimensions	Ø4.13" x 11.8"
Weight	2.65 lbs