



24" Marvel Professional Beverage Center

Model # MP24BCG0

Performance

- Dynamic Cooling Technology™ delivers the industry's best temperature stability and rapid cool down, tested and proven to cool nearly 2x faster than competitors
- Thermal-efficient cabinet ensures optimum preservation and energy efficiency while maximizing capacity
- Argon-filled, UV-resistant tinted dual pane glass door protects contents from damaging ultraviolet light, while conserving energy
- Now even quieter operation thanks to exclusive design enhancements to buffer and minimize sound

Storage Capabilities

- 5.3 cu. ft. capacity, stores 19 wine bottles total (14 flat, 5 cradled) and holds (108) 12-oz cans
- (2) 3-in-1 Slide-Out Convertible Shelves™ feature removable glass pane with wine rack option to store beverages, food or wine
- Display wine rack glides out for easy access and holds 5 wine bottles, including magnum sizes
- Cantilevered, fully adjustable glass shelving system with stainless steel shelf fronts

Touchscreen Controls

- Multifunction Marvel Intuit™ Integrated Controls allow you to select a precise cabinet temperature from 34° F to 42° F
- Controls feature real-time temperate display, door ajar and temperature alarms
- Vacation mode conserves energy during times when unit is not in use

Aesthetics

- Ideal for freestanding or built-in applications
- Professional styling: stainless steel framed glass door, sturdy full-length handle, sleek stainless steel shelf fronts and stainless steel toe kick adjustable to 4"
- At the touch of a button, change the interior light color to sapphire blue, amber glow, or arctic white
- Two-stage, soft blue theater-style LED lighting and sophisticated midnight black interior
- Finish: stainless steel

Additional Convenience

- Close Door Assist System™ gently and automatically draws door to a close, ensuring door is never accidentally left ajar
- Door lock provides added safety and security
- 3-year parts and labor warranty, 5-year sealed system parts warranty

Finish



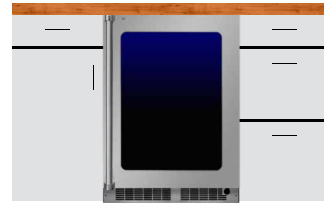
Stainless Steel



VERSATILE INSTALLATION



FREE STANDING

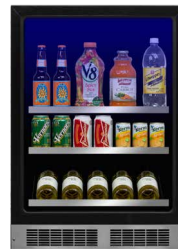


BUILT-IN UNDERCOUNTER

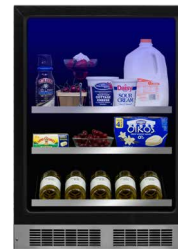


STACKED (kit required)

3-IN-1 SLIDE OUT CONVERTIBLE SHELVES



Beverages



Food



Wine

Ordering Options

Stainless Frame, Glass Door, Right Hinge, Stainless Professional Handle

MP24BCG0RS

Stainless Frame, Glass Door, Left Hinge, Stainless Professional Handle

MP24BCG0LS

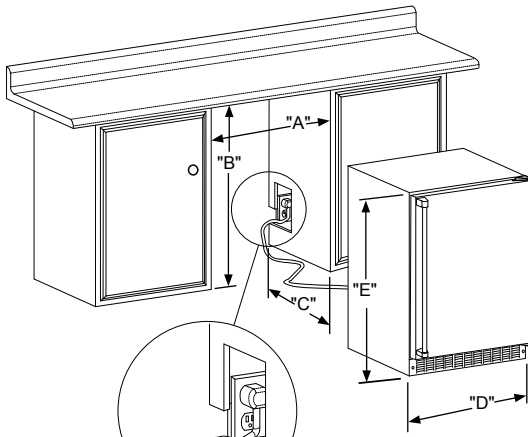


Figure 7
(S) solid door
shown

Figure 7a

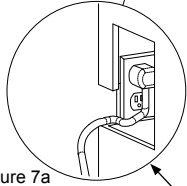
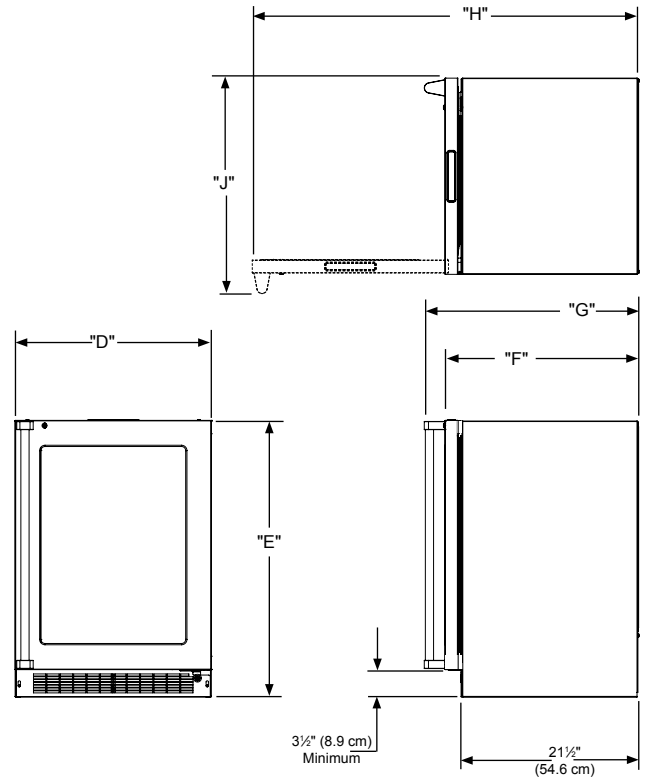


Figure 8

If necessary to gain clearance inside the rough-in opening a hole can be cut through the adjacent cabinet and the power cord routed through this hole to a power outlet. Another way to increase the available opening depth is to recess the power outlet into the rear wall to gain the thickness of the power cord plug. Not all recessed outlet boxes will work for this application as they are too narrow, but a recessed outlet box equivalent to Arlington #DVFR1W is recommended for this application, (see Figure 8).



MODEL	ROUGH-IN OPENING DIMENSIONS			CABINET DIMENSIONS					
	"A"	"B"	"C"	"D"	"E"	"F"	"G"	"H"	"J"
MP24BCG0	24" (61 cm)	34" to 35" (86.4 to 88.9 cm)	24" (61 cm)	25 3/8" (64.7 cm)	33 1/4" to 34 1/4" (85.7 to 88.3 cm)	23 5/8" (60.7 cm)	26 1/4" (66.68 cm)	46 1/4" (116.84 cm)	26 7/16" (67.2 cm)

Width	23 7/8"
Interior Finish	Black
Capacity	Up to 19 wine bottles Up to 108 12-oz cans
Shelving System	Side Mount Bottle Shape Wire
Shelf Fronts	Stainless Steel
Other Storage	Display Wine Rack
Interior Lighting	2 LED Pods
Toe Grill Finish	Stainless Steel
Hinge	Classic Hinge
Handle	Professional

Control Type	Intuit™
Temperature Range	34° - 42° F
Lock	Yes
Electrical Requirements	120V / 60Hz / 15A
Length of Power Cord	6'
Product Dimensions	23 7/8" W x 33 3/4" H x 21 1/2" D
Depth to Front of Door	23 5/8"
Depth to Handle	26 1/4"
Depth with door at 90°	46 1/4"
Shipping Weight	160 lbs

Finishes	Stainless Steel
Vacation / Sabbath Mode	Yes
Agency Approvals	CSA
Energy Star Certified	