



15" Marvel Professional Beverage Center

Model # MP15BC

Performance

- Dynamic Cooling Technology™ delivers the industry's best temperature stability and rapid cool down, tested and proven to cool nearly 2x faster than competitors
- Thermal-efficient cabinet ensures optimum food preservation and energy efficiency while maximizing capacity
- Argon-filled, UV-resistant tinted dual pane glass door protects contents from damaging ultraviolet light, while conserving energy
- Now even quieter operation thanks to exclusive design enhancements to buffer and minimize sound

Storage Capabilities

- 2.7 cu. ft. capacity, stores up to (35) 12-oz cans and/or 6 wine bottles
- 3-in-1 Convertible Shelf™ features removable glass pane with wine rack option to store food, beverages or wine
- Fully adjustable shelving system with two cantilevered, full-width steel-framed glass shelves
- Access contents easily with 2 full-extension, glide-out shelves on the Smooth Glide™ ball bearing system
- Stainless steel shelf fronts

Touchpad Controls

- Multifunction Marvel Intuit™ Integrated Controls allow you to select a precise cabinet temperature from 34° F to 42° F
- Vacation mode conserves energy during times when unit is not in use

Aesthetics

- Soft-close integrated hinge provides a seamless zero clearance installation and a smooth gentle close
- At the touch of a button, change the interior light color to sapphire blue, amber glow, or arctic white
- Two-stage theater-style lighting offers full or half illumination
- Elegant midnight black interior
- Professional styling: stainless-steel-framed glass door, sturdy full-length handle, sleek stainless steel shelf fronts and stainless steel toe kick adjustable to 4" with leveling legs
- Finish options: stainless steel or overlay (panel ready)

Additional Convenience

- Close Door Assist System™ gently and automatically draws door to a close, ensuring door is never accidentally left ajar
- Door lock provides added safety and security
- Filler kit available for 18" wide opening
- 3-year parts and labor warranty, 5-year sealed system parts warranty



Ordering Options

Stainless Frame, Glass Door with Lock, Integrated Right Hinge, Professional Handle	MP15BCG4RS
Stainless Frame, Glass Door with Lock, Integrated Left Hinge, Professional Handle	MP15BCG4LS
Panel-Ready Framed Glass Door with Lock, Integrated Right Hinge (Handle Not Included)*	MP15BCF4RP
Panel-Ready Framed Glass Door with Lock, Integrated Left Hinge (Handle Not Included)*	MP15BCF4LP

*Easy installation! No panel kit required. Consult your cabinet maker for overlay panel and handle options.



Finish Options

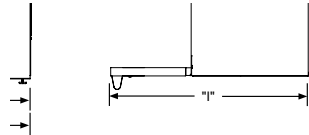
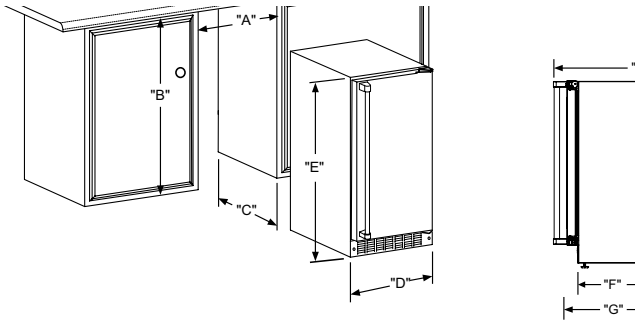


Stainless Steel



Framed Overlay (Panel Ready)*

Product Dimensions



Rough-In Dimensions

A. Rough-In Width	15"
B. Rough-In Height	34 1/4" to 35 1/25"
C. Rough-In Depth	24"

Product Dimensions

D. Width	14 7/8"	
E. Height	34" to 35"	
F. Depth	21 1/2"	
G. Depth to Front of Door	Solid Door	23 23/32"
	Overlay Door	22 7/8" Without Handle
H. Depth to Handle	26 7/32" (Stainless Steel)	
I. Depth with door at 90°	Solid Door	37 13/32"
	Overlay Door	37 1/2"

Product Features

Interior Cabinet Finish	Black
Capacity	Up to 6 wine bottles Up to 35 12-oz cans
Shelving System	Cantilever
Shelf Fronts	Stainless Steel
Other Storage	3-in-1 Convertible Shelf™
Interior Lighting	Tri-Color LED
Toe Grill Finish	Stainless Steel
Hinge	Soft Close Integrated Hinge
Handle	Professional (Panel Overlay Does Not Include Handle)
Control Type	Intuit™
Temperature Range	34° to 42° F
Lock	Yes
Electrical Requirements	120V / 60Hz / 15A
Length of Power Cord	6'
Shipping Weight	125 lbs
Finishes	Stainless Steel, Overlay
Vacation Mode	Yes
Agency Approvals	CSA, ENERGY STAR

Panel Overlay Dimensions

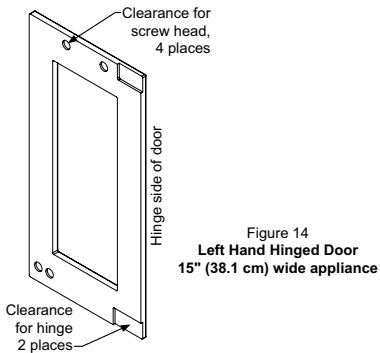


Figure 14
Left Hand Hinged Door
15" (38.1 cm) wide appliance

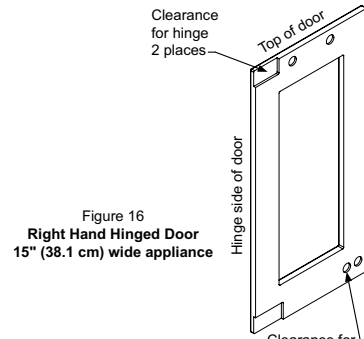
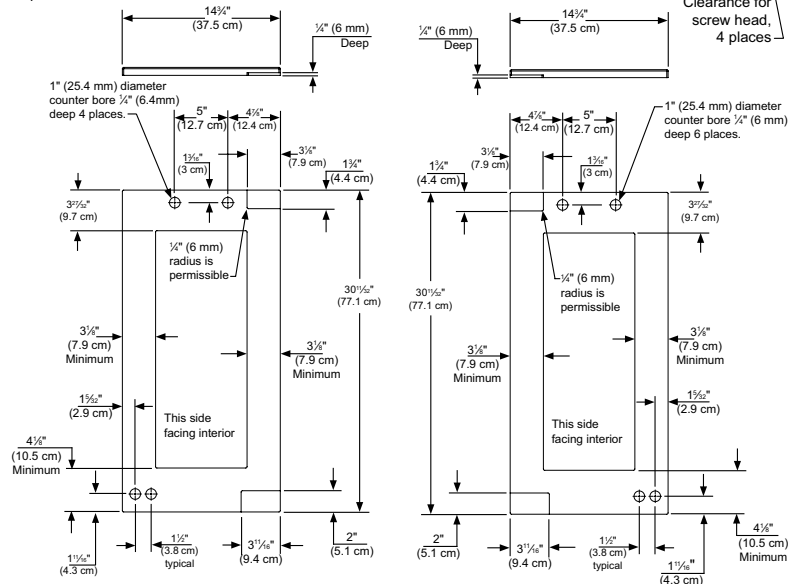


Figure 16
Right Hand Hinged Door
15" (38.1 cm) wide appliance



For comprehensive installation instructions, please visit www.marvelrefrigeration.com to access the owner's guide.