



24" Marvel Outdoor Refrigerator

Model # MO24RAS1

Performance

- CSA certified for outdoor use to withstand elements like rain, corrosion, high humidity and heat
- Tested to perform in temperatures as high as 115° F
- Dynamic Cooling Technology™ delivers the industry's best temperature stability and rapid cool down, tested and proven to cool nearly 2x faster than competitors
- Thermal-efficient cabinet ensures optimum preservation and energy efficiency while maximizing capacity

Storage Capabilities

- 5.3 cu. ft. capacity, stores (154) 12-oz cans
- (2) cantilevered, fully adjustable FreshFlo™ commercial-grade stainless steel shelves

Temperature Controls

- Marvel Prime™ controls for precise, frost-free temperature management between 34° and 42° F
- Audible alarms for door ajar and high/low temperature ensure your contents stay at optimal temperature

Aesthetics

- Pristine white interior easily wipes clean and efficient arctic white LED lighting illuminates interior for better viewing
- Corrosion-resistant stainless-steel exterior, sturdy pro-style handle and rugged stainless steel toe kick
- Finish: stainless steel

Additional Convenience

- Door lock provides added safety and security
- Close Door Assist System™ gently and automatically draws door to a close, ensuring door is never accidentally left ajar
- Stainless steel toe kick adjustable to 4" with leveling legs
- 1-year parts and labor warranty, 5-year sealed system parts warranty



Ordering Options

Solid Stainless Steel Door with Lock, Right Hinge, Professional Handle

MO24RAS1RS

Solid Stainless Steel Door with Lock, Left Hinge, Professional Handle

MO24RAS1LS

*Easy installation! No panel kit required. Consult your cabinet maker for overlay panel and handle options.

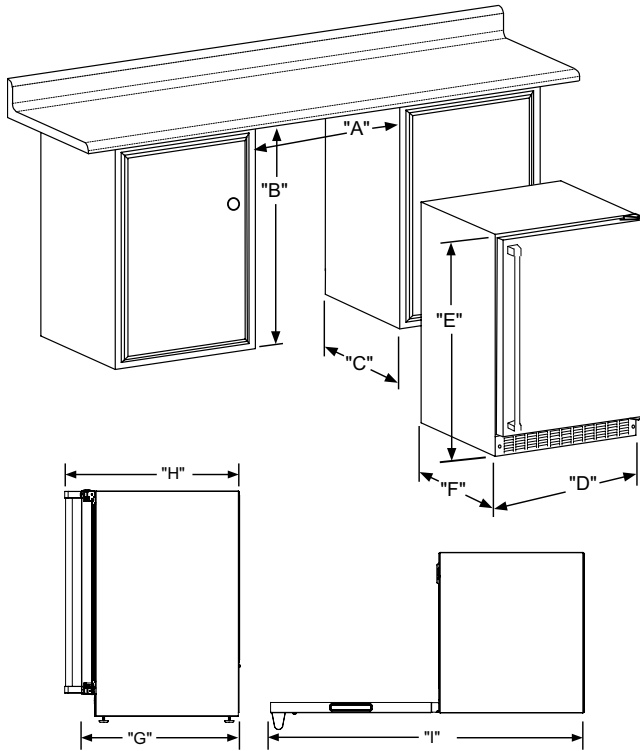


Finish



Stainless Steel

Product Dimensions



Rough-In Dimensions

A. Rough-In Width	24"
B. Rough-In Height	34" to 35"
C. Rough-In Depth	24"

Product Dimensions

D. Width	23 7/8"
E. Height	33 3/4" to 34 3/4"
F. Depth	21 1/2"
G. Depth to Front of Door	23 23/32"
H. Depth to Handle	26 7/32"
I. Depth with door at 90°	46 13/32"

Product Features

Interior Cabinet Finish	White
Capacity	Up to 154 12-oz cans
Shelving System	Cantilever
Shelf Fronts	Stainless Steel
Other Storage	NA
Interior Lighting	White LED
Toe Grill Finish	Stainless Steel
Hinge	Classic Hinge
Handle	Professional
Control Type	Prime™
Temperature Range	34° to 42° F
Lock	Yes
Electrical Requirements	120V / 60Hz / 15A
Length of Power Cord	6'
Shipping Weight	160 lbs
Finishes	Stainless Steel
Vacation Mode	No
Agency Approvals	CSA, ENERGY STAR

For comprehensive installation instructions, please visit www.marvelrefrigeration.com to access the owner's guide.