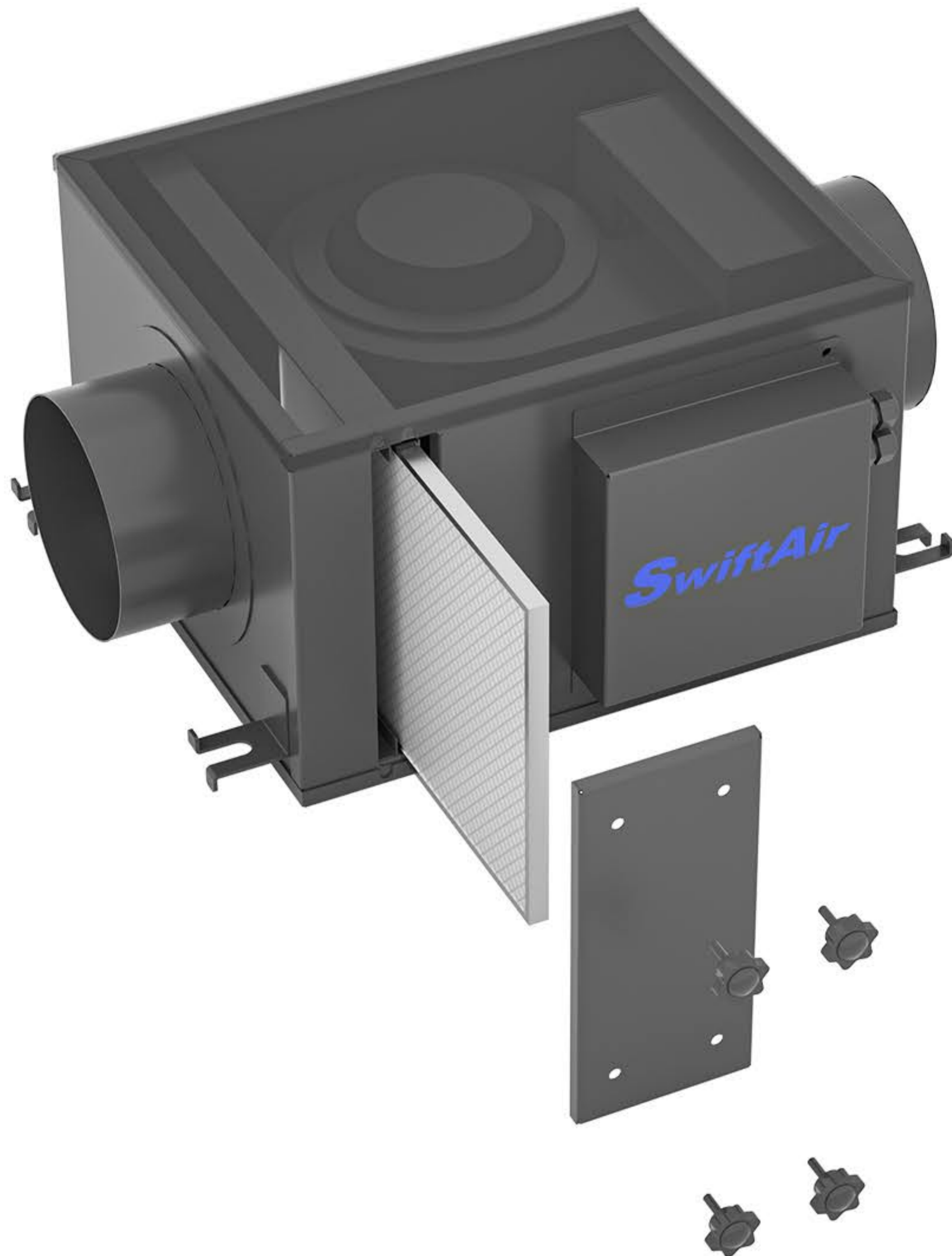
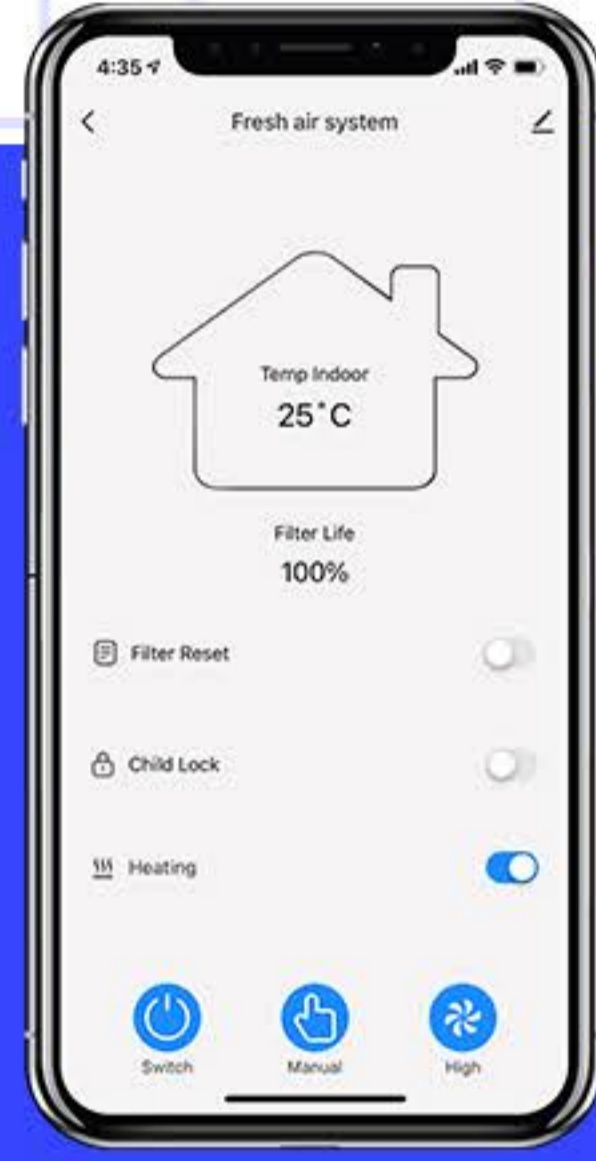


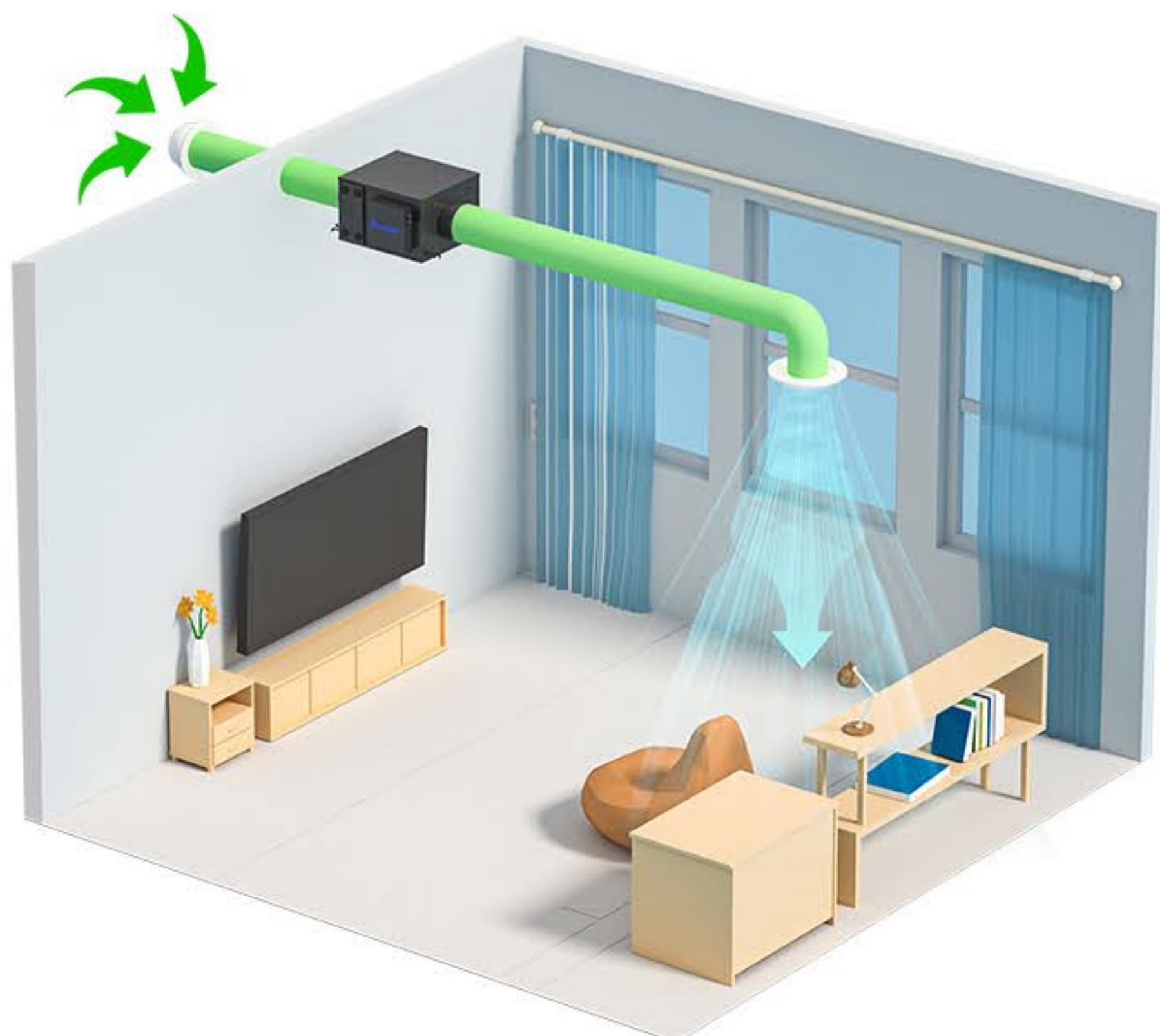
## POSITIVE INPUT VENTILATION [PIV]



### ▶ TECHNICAL SPECIFICATION

Model	SW-PIV15-H
Max. Airflow [m <sup>3</sup> /h]	150
Max. Power [W]	675 (UNIT 58 + HEATER 617)
Max. Current Consumption [A]	2.96 (UNIT 0.26 + HEATER 2.70)
Weight [kg]	8
Supply or Extract Filter	G4
Rated Voltage	200-240V, 50/60Hz
Internal Insulation Material	Polyethylene Foam
Case Material	Coated Sheet Steel
Transferred Air Temperature [°C]	(-25 to +50)
Operating Ambient Temperature [°C]	(+5 to +40)
Operating Ambient Relative Humidity [%]	<80
Connected Air Duct Diameter [mm]	125

### ▶ APPLICATION



### ▶ DIMENSION (mm)

