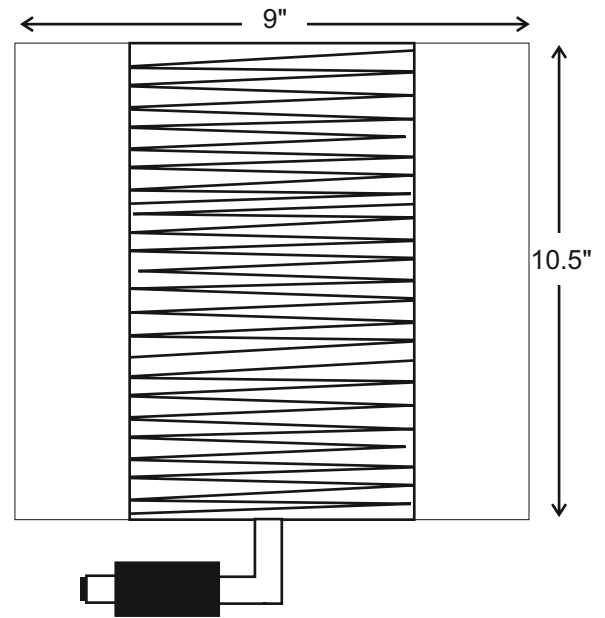


# INSTRUCTIONS FOR SEAT HEATER KIT WITH ON/OFF SWITCH

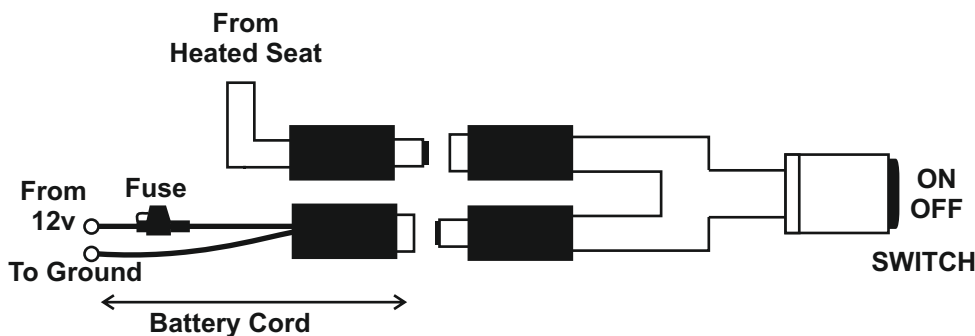
## Heater Installation

**Warning :** This product is not for use with seats with covers bonded to the foam. The product is designed to be installed beneath a vinyl or leather seat cover. For specification questions, please contact the seat manufacturer directly.

1. Remove the seat from the machine.
2. Remove the staples from the back of the seat, so the vinyl or leather can be rolled back.
3. Choose the placement of the seat heater. Route the seat heater power wire to the bottom of the seat.  
**Note:** Removing foam and drilling a hole through the bottom of the seat may make installation easier.
4. Remove the paper backing from the heater and place in position. Make sure to press down on the heater to insure a good adhesion between the seat and the seat heater. Avoid creating any wrinkles.
5. Heated seat works with 12V battery and provides 30Watts of heat and draws 1.7 amps of current .
6. Heating Element MADE IN USA.



## Switch Installation



### Items Required for Installation Drill with a 13/16" Bit

1. Disconnect the battery leads.
2. Drill a 13/16" hole in the chosen location for the on/off switch.
3. Connect wires as shown in the figure.
4. Clip the high/low switch into the hole.

**Note :** Placing the high/low switch in a vertical orientation is preferred, in order for water to properly drain from inside the high/low switch.

## Warranty & Damage

The product has One year limited warranty. The warranty does not cover :

- Products worn by use.
- Tampering or misuse of the product, including operation outside of design specification.
- Damages made to products installed incorrectly, including shorting or natural disasters.
- Damages caused by crashes or natural disasters.

Because we do not have any control over the connection and use of the product, or any other related electronics, no liability will be assumed nor accepted for damage resulting from the use of the product. In no case shall liability exceed the product's original cost.