

MAKE BEAUTY A NEW SMART



US: service@melodysusie.com



EU: service.uk@melodysusie.com



<http://www.melodysusie.com>



Whipple Road, Union City, CA 94578



AMZLAB GmbH
Laubenhof 23, 45326 Essen, Germany



THEMIS AR support ltd
85 Great Portland St, London, United Kingdom, W1W 7LT



melodysusie

Kanon
Rechargeable Nail Drill
User Manual

INDEX

Important Safeguards	01
Six Drill Bits	04
How to Use	04
How to Replace Drill Bit	05
Charging	06
Problem and Terms of Settlement	06
Specifications	08
Warranty and Customer Service	08

Thank you for choosing MelodySusie! Please read this user guide carefully and keep it in an accessible location so you may refer to it later.

IMPORTANT SAFEGUARDS

READ ALL INSTRUCTIONS BEFORE USING.



To reduce the risk of burns, electrocution, fire, or injury to persons.

Please be sure to read the safety instruction as follow to avoid potential hazards that could result in personal injuries or damage to the device.

Check before Using

1. Check the power supply cord for damage before the first use and during the life of the device. Do not use this device if it has a damaged cord or plug or it is not working properly or damaged.
2. Do not plug this device into a voltage system that is different from the voltage system specified on the device or charger. Use with improper voltage will damage the device and VOID warranty.
3. Please use the original charger only.
4. The handpiece of this nail drill is not compatible with other models of nail drill machine from MelodySusie and other brands. Please don't connect the handpiece with a different nail drill machine.

Note for Battery

1. The Battery needs to be charged fully before first use to ensure optimal performance.

2. Do not overcharge the device or use it when it is charging.
3. Charge the device in well-ventilated condition with 0°C ~40°C.
Do not charge the device close to flammable or explosive materials. When charging the device, please do not cover it with clothes or other things.
4. If the device is not used for long periods of time, you should charge and discharge once every three months. In normal conditions, the battery performance will decline over several years.

Note for Using

1. Do not draw out the connecting wires during use or touch the plug with the wet hand to prevent electric leakage and shock or fire. Please turn the power off after use.
2. Do not use the crooked or damaged nail drill bit or replace the bit when the power is on.
3. Adjust the speed gradually, not abruptly. Please stop to use once the unusual movement and noise happens.
4. Do not touch any rotating part while the device is working.
5. Misuse, dropping or excessive force may cause device damage.
6. Children under 18 years of age should not use this device without parental consent and supervision.

Maintenance Work

1. Do not disassemble the device. Doing so could be dangerous and constitutes voiding warranty conditions.

2. Do not keep the device in a place which is about or more than 50°C (in a metal box, car or other places in high temperature). Keep the handpiece dry and keep it away from the oil and grease.
3. Store the device in a cool and dry place. Do not store it in a hot or humid environment.
4. Keep electrical cord away from heated surfaces.
5. Do not dispose of the device in heat or fire.
6. Do not clean the device with harmful chemicals or detergents.

Note for Injury

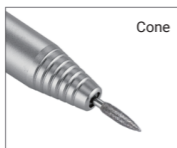
1. Having manicures done frequently can cause injuries to the nails as well.
2. If you need to remove the gel polish of natural nails, try to use the nail polish remover pads to avoid damage to the nail bed with the improper operation.
3. Do not use the device if you have an open wound on your nail or hand.
4. If you have any skin diseases, heat-sensitive, allergic reaction, onychomycosis or any other disorder, you should consult your doctor and medical professional before using the device.

The operator shall be responsible for any consequences including product damage or accidents if not strictly complies with the instructions.

If you require any technical support, contact us at service@melodysusie.com

SAVE THESE INSTRUCTIONS

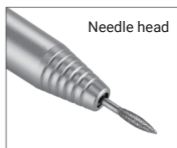
Six Drill Bits



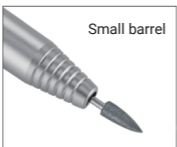
Under nails, cuticles,
and sidewalls



Cuticle work, polish
nail side edge



Polish nail edge



Surface work



Surface work for backfill
cutting, shorten, infill
cuticle

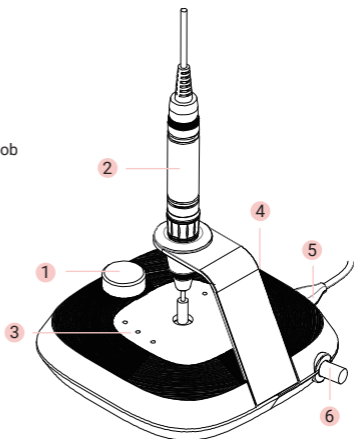


Surface work, shortening,
and removal

How to Use

- Step 1:** Choose one grinding drill bit, release the handpiece, insert the drill bit at the drill head and lock it in place. The drill bit hole could be used to place the nail drill bits.
- Step 2:** Connect the handpiece to the handpiece jack.
- Step 3:** Rotate the ON/OFF button to turn on the device.
- Step 4:** Rotate the speed control knob to accelerate or decelerate the rotation speed.
- Step 5:** Change the rotation direction of the grinding drill bit on the F/R button if needed.
- Step 6:** After the polishing is finished, please turn off the device and rotate the central barrel and take out the drill bit

- 1 ON/OFF
Speed control knob
- 2 Handpiece
- 3 Drill bit hole
- 4 F/R button
- 5 Handpiece jack
- 6 DC socket



How to Replace Drill Bit

Please make sure that the desired bit is suitable for the collet.



* Do not move central barrel during operation.

1. Turn central barrel clockwise until hearing a "click" sound to release drill bit. Taking out the blank bar. Put the desired bit into the handpiece.
2. Turn central barrel counterclockwise until hearing a "click" sound to lock drill bit in place.
3. Be sure to confirm the rotation of the bit and collet. Please take care of your fingers not to be hurt by bit edge.

Charging

1. Take out the adapter and connect it with the DC Socket.
2. Connect the power supply with adapter and insert the main plug into a wall socket.
3. LCD screen will show the battery.

Problem and Terms of Settlement

Misoperation	Causing	Terms of settlement
Changing the nail drill bit when the power is on	1. Motor burns out 2. Bearing damages (Loud Noise)	Turn off the power when changing the nail drill bit
The power is on when not in use		Turn off the power when not in use
Overcharge	1. Battery lifespan shortens	Not exceed the specified charging time
Long time, Large load work	1. Motor burns out 2. Device lifespan shortens 3. Bearing damages (Loud Noise) 4. Handpiece damages	The continuous working time should not be too long when the working condition is in heavy load. When the device is overheating, it should be stopped immediately to make it return to normal temperature.
Insert into a mismatched power supply	1. Motor burns out	According to the device voltage requirements, insert the matching power supply
Put the power cord at random/ Pull the power cord/ Use the device when charging	1. Battery damages and device lifespan shortens 2. Power cord brokes 3. Poor connection 4. Easy to cause short circuit	Do not pull the power cord/Do not use the device when charging

Misoperation	Causing	Terms of settlement
Replace the original charger randomly	<ol style="list-style-type: none"> 1. Device charging unsuccessfully 2. Battery damages 3. Easy to cause short circuit 	Use the original specification charger
Dust into device	<ol style="list-style-type: none"> 1. Bearing damages (Loud Noise) 2. Motor gets hot 3. Rotational speed slows down 4. The potentiometer speed regulation fails 5. Handpiece damages 	Clean dust, add the dust-proof protection of the dustproof hood
Device drops to the ground or by other impacts	<ol style="list-style-type: none"> 1. The ON/OFF button doesn't work 2. The potentiometer speed regulation fails 3. F/R button doesn't work 4. Handpiece damages 	Avoid device drops or by other impacts (If the handpiece was damaged, it can be purchased separately.)
Insert the nail drill bit into the device incorrectly /Rotate the central barrel into the place incorrectly /Take the drill bit out when the central barrel is locked	<ol style="list-style-type: none"> 1. Drill bit falls out 2. High vibration 3. Drill bit sticks 4. The Handpiece sticks and cannot be turned on 5. Handpiece damages 	Insert the nail drill bit into the device correctly/If the drill bit sticks, please release the handpiece and try to take out it hard/Rotate the central barrel correctly
Replace drill bit when handpiece is not completely stopped	<ol style="list-style-type: none"> 1. The handpiece sticks and cannot be turned on 2. Handpiece damages 	Do not replace drill bit when handpiece is not completely stopped
The size of drill bit is not suitable	<ol style="list-style-type: none"> 1. Can not insert the drill bit into the device 	Use standard drill bit
Water into the device/Operate in wet or moist conditions/Use a wet cloth to clean the device	<ol style="list-style-type: none"> 1. Motor burns out 2. Device lifespan shortens 	Do not operate in wet or moist conditions/Only a dry cloth is allowed for cleaning

Specifications

Input voltage range: AC 100-240V, 50/60Hz

Output Voltage: DC 24.0V 1.0A

Email: service@melodysusie.com

Email: service.uk@melodysusie.com

Website: www.melodysusie.com

Warranty and Customer Service

MelodySusie offers a 6-month limited warranty on quality-related issues. **Please apply for your extra 6-month warranty extension and download the user manual in other languages by registering on www.melodysusie.com if needed.**

