

**Models:**

OFP-36COV

OFP-48COV

OFP-60COV

OFP-72COV

## Kalea Bay Outdoor Fireplace Cover

### Installation and Operating Instructions

**IF YOU CANNOT READ OR UNDERSTAND THESE INSTALLATION INSTRUCTIONS  
DO NOT ATTEMPT TO INSTALL OR OPERATE THIS APPLIANCE**

#### **CALIFORNIA PROPOSITION 65**



#### **WARNING**

This product can expose you to Chromium, which is known to the state of California to cause cancer and birth defects or other reproductive harm.  
(For more information, go to [www.p65warnings.ca.gov](http://www.p65warnings.ca.gov))

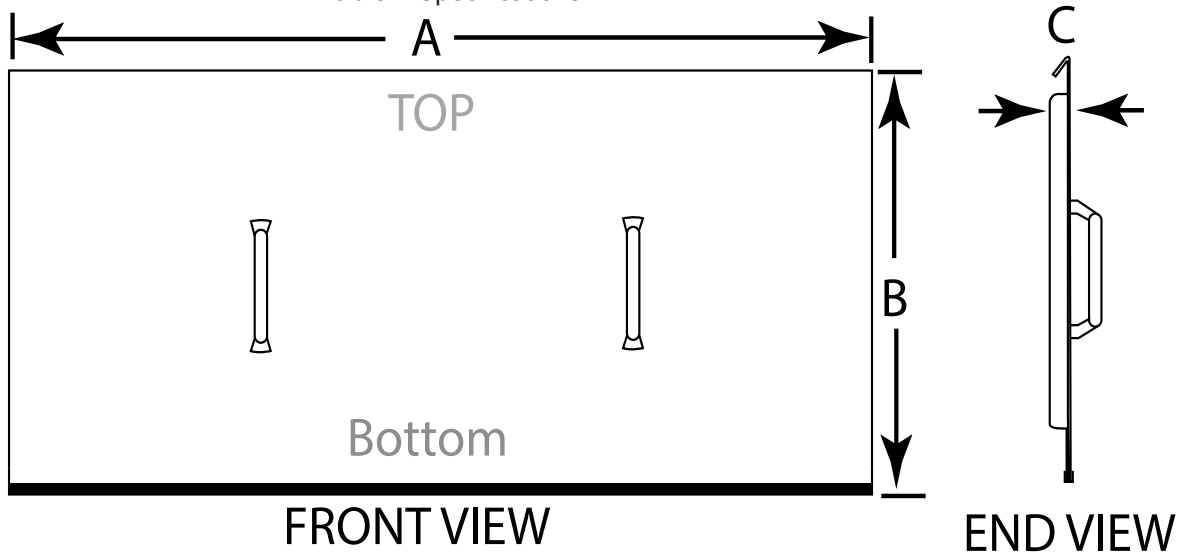


We recommend that our gas hearth products be installed and serviced by professionals who are certified in the U.S. by the National Fireplace Institute® (NFI) as NFI Gas Specialists.

# SPECIFICATIONS

| Model      | A       | B       | C    |
|------------|---------|---------|------|
| OFP-COV-36 | 35 3/4" | 16 3/8" | 3/8" |
| OFP-COV-48 | 47 3/4" | 16 3/8" | 3/8" |
| OFP-COV-60 | 59 3/4" | 16 3/8" | 3/8" |
| OFP-COV-72 | 71 3/4" | 16 3/8" | 3/8" |

Table 1 Specifications



**Fig. 1** Shows cover from front side. End view shows lip at the bottom that sits down inside the fireplace. The top side has clearance holes to allow pins to pass through.

**DESCRIPTION:** Covers are stainless steel and provide a decorative way to protect the interior your Kalea Bay outdoor fireplace. Installation is simple, quick and provides all weather protection year round.

**TOOLS NEEDED:**

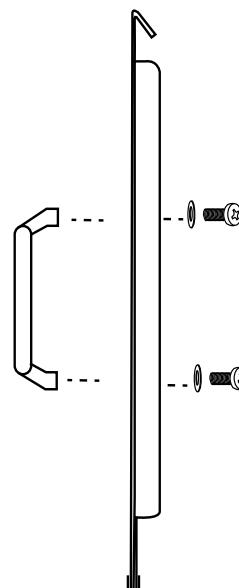
Phillips screwdriver

**ASSEMBLY**

**Step 1:** Carefully remove the cover from the carton and peel off the plastic protective coating.

**Step 2:** Remove handles from package and install them as shown in Fig. 2 with screws and washers.

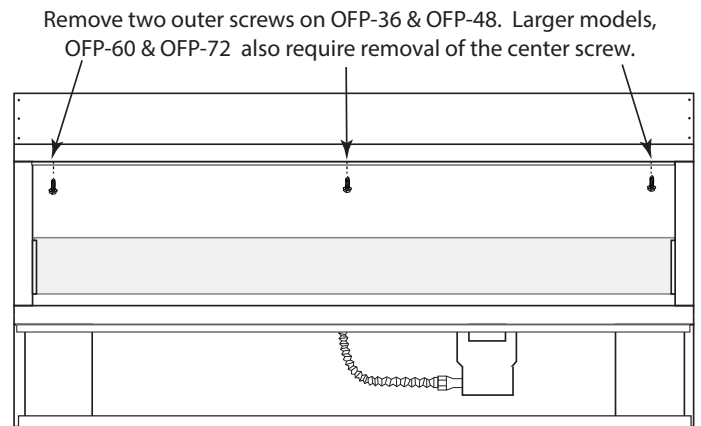
**Note: DO NOT OVERTIGHTEN SCREWS.**



**Fig. 2** Shows end view installing handles.

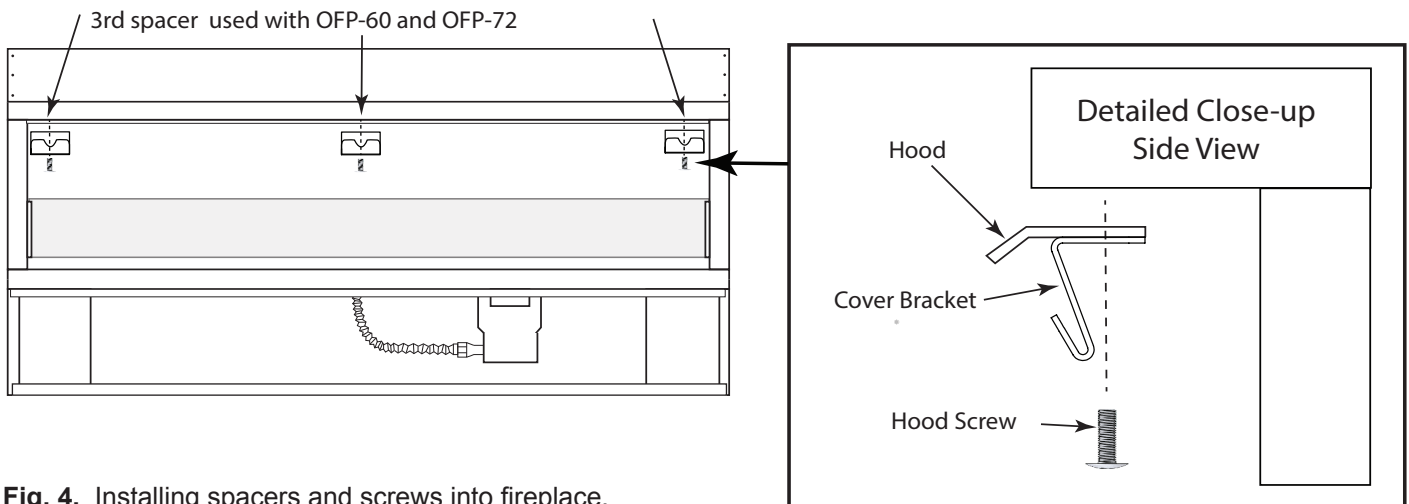
**Step 3:** Remove the two outer screws from the underside of the opening or hood.

**Note:** If you are installing a larger cover on a OFP-60 or OFP-72 then also remove the center screw. (total of 3 screws) See Fig. 3.



**Fig. 3** Removing screws from hood.

**Step 4:** Install the brackets with the hood screws using a Phillips screwdriver. See Fig. 4.



**Fig. 4.** Installing spacers and screws into fireplace.

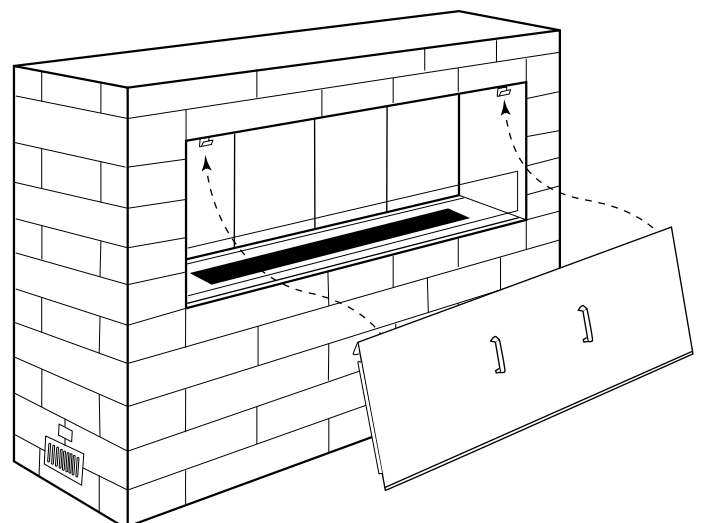
**Step 5:** Install cover, top first, aligning the holes of the cover over the spacers, then resting the bottom edge inside of the opening of the fireplace (See Fig 5). The cover should be flush with the outer face of the fireplace.



**Install the cover after fireplace has cooled down.**



**WARNING: cover must be removed before operating the fireplace.**



**Fig. 5.** Installing cover into fireplace.

## REPLACEMENT PARTS

| OFP-36COV | OFP-48COV | OFP-60COV | OFP-72COV | Description                          | Part #          | Qty. |
|-----------|-----------|-----------|-----------|--------------------------------------|-----------------|------|
| x         |           |           |           | 36" Stainless steel cover only       | 73226           | 1    |
|           | x         |           |           | 48" Stainless steel cover only       | 74226           | 1    |
|           |           | x         |           | 60" Stainless steel cover only       | 75226           | 1    |
|           |           |           | x         | 72" Stainless steel cover only       | 76226           | 1    |
| x         | x         | x         | x         | Handles & Screws                     | HANDLE ASSEMBLY | 2    |
| x         |           |           |           | 36" HT Silicone Strip (1/16" x 1/2") | 2614T62-36      | 1    |
|           | x         |           |           | 48" HT Silicone Strip (1/16" x 1/2") | 2614T62-48      | 1    |
|           |           | x         |           | 60" HT Silicone Strip (1/16" x 1/2") | 2614T62-60      | 1    |
|           |           |           | x         | 72" HT Silicone Strip (1/16" x 1/2") | 2614T62-72      | 1    |

Table 2

## MAINTENANCE

**CLEANING STAINLESS STEEL:** Stainless steel may oxidize in the presence of chlorides and sulfides, particularly in coastal areas and other harsh environments, such as the warm, highly humid atmosphere around pools and hot tubs. To provide stain prevention and removal, wash all stainless steel surfaces every 3-4 weeks or as often as required with fresh water and/or a stainless steel cleaner.

Do not use abrasive cleaners or steel wool on any stainless steel parts. Doing so will scratch the finish. Exterior surfaces should be cleaned with warm soapy water. Use a stainless steel or non-abrasive cleaner. Always wipe in the direction of the grain. If you have any questions call the Technical Support line below.

**CAUTION:** Stainless steel covers can be hot to the touch when installed on your fire pit due to the sun and outdoor temperatures. Always use caution when handling.

**Warranty information can be found on the Firegear Outdoors web site listed below.**

**FOR TECHNICAL SERVICE, CALL: (800) 966-8126**

Firegear Outdoors  
17322 Gothard Street  
Huntington Beach, CA 92647

**WEB SITE:** [www.firegearoutdoors.com](http://www.firegearoutdoors.com)