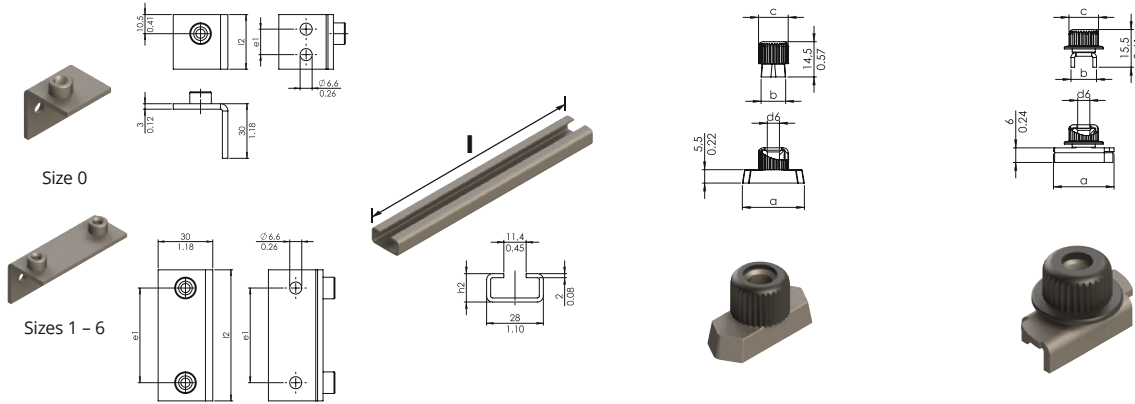


Complete range please refer to pages 21 to 25.



SIZE	APW-A Weld plate, angled	APW-A		TS-A/B Mounting rail	TM-A/B 1 Rail nut				TM-A/B 1 Visitec						
		e <sub>1</sub>	l <sub>2</sub>		l	h <sub>2</sub>	a	b	c	d <sub>6</sub>	a	b	c	d <sub>6</sub>	
0	APW-A 0	14	30	TS 11-A/B 1 TS 11-A/B 2 TS 14-A/B 1 TS 14-A/B 2 TS 30-A/B 1 TS 30-A/B 2	1 m 3.28 ft 2 m 6.56 ft 1 m 3.28 ft 2 m 6.56 ft 1 m 3.28 ft 2 m 6.56 ft	11 0.43 11 0.43 14 0.55 14 0.55 30 1.18 30 1.18	TM-A (TM-B1)	25,4 1.00	10,4 0.41	12 0.47	M 6 ¼-20 UNC	24,9 0.98	10,5 0.41	12 0.47	M 6 ¼-20 UNC
		0.55	1.18												
1	APW-A 1	20	36												
		0.79	1.42												
2	APW-A 2	26	42												
		1.02	1.65												
3	APW-A 3	33	50												
		1.30	1.97												
4	APW-A 4	40	59												
		1.57	2.32												
5	APW-A 5	52	72												
		2.05	2.83												
6	APW-A 6	66	88												
		2.60	3.46												
7															
8															

dimensions  $\frac{\text{mm}}{\text{Inch}}$

All metal parts available in stainless steel.

