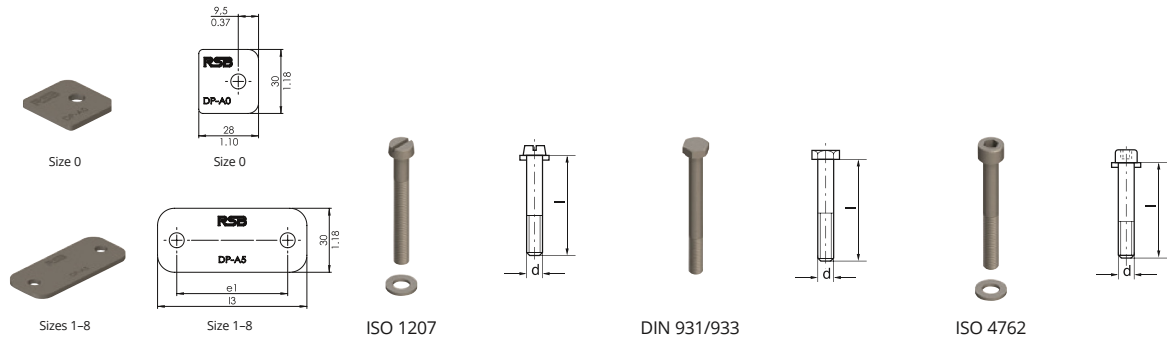


Complete range please refer to pages 21 to 25.



SIZE	DP-A Cover plate		SL-A Slotted head screw		SSL-A Hexagon head screw		IS-A Hexagon socket head screw		
	l_3	e_1		$d \times l$		$d \times l$		$d \times l$	
0	DP-A 0	28 1.10	7 0.28	SL-A 0 / A 1	M 6 x 20 ¼-20 UNC x ¾	SSL-A 0 / A 1	M 6 x 30 ¼-20 UNC x 1¼	IS-A 0 / A 1	M 6 x 20 ¼-20 UNC x ¾
1	DP-A 1	34 1.34	20 0.79	SL-A 0 / A 1	M 6 x 20 ¼-20 UNC x ¾	SSL-A 0 / A 1	M 6 x 30 ¼-20 UNC x 1¼	IS-A 0 / A 1	M 6 x 20 ¼-20 UNC x ¾
2	DP-A 2	40 1.57	26 1.02	SL-A 2	M 6 x 25 ¼-20 UNC x 1	SSL-A 2 (SS-B 1)	M 6 x 35 ¼-20 UNC x 1¾	IS-A 2	M 6 x 25 ¼-20 UNC x 1
3	DP-A 3	48 1.89	33 1.30	SL-A 3	M 6 x 30 ¼-20 UNC x 1½	SSL-A 3	M 6 x 40 ¼-20 UNC x 1½	IS-A 3	M 6 x 30 ¼-20 UNC x 1½
4	DP-A 4	57 2.24	40 1.57	SL-A 4	M 6 x 35 ¼-20 UNC x 1¾	SSL-A 4	M 6 x 45 ¼-20 UNC x 1¾	IS-A 4 (IS-B 1)	M 6 x 35 ¼-20 UNC x 1¾
5	DP-A 5	70 2.76	52 2.05	SL-A 5	M 6 x 50 ¼-20 UNC x 2	SSL-A 5	M 6 x 60 ¼-20 UNC x 2¾	IS-A 5	M 6 x 50 ¼-20 UNC x 2
6	DP-A 6	86 3.39	66 2.60	SL-A 6	M 6 x 60 ¼-20 UNC x 2¼	SSL-A 6	M 6 x 70 ¼-20 UNC x 2¾	IS-A 6	M 6 x 60 ¼-20 UNC x 2¼
7	DP-A 7	120 4.72	94 3.70	SL-A 7	M 6 x 90 ¼-20 UNC x 3½	SSL-A 7	M 6 x 100 ¼-20 UNC x 4	IS-A 7	M 6 x 90 ¼-20 UNC x 3½
8	DP-A 8	146 5.75	120 4.72	SL-A 8	M 6 x 110 ¼-20 UNC x 4¾	SSL-A 8	M 6 x 125 ¼-20 UNC x 4¾	IS-A 8	M 6 x 110 ¼-20 UNC x 4¾

dimensions $\frac{\text{mm}}{\text{inch}}$

All metal parts available in stainless steel.

