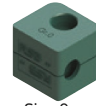


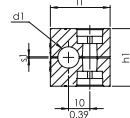
**Order codes for clamp-halves:**

- Polypropylene **RAPR**
- inside smooth **RAPG<sup>2)</sup>**
- Polyamide 6 **RANR**
- inside smooth **RANG<sup>2)</sup>**
- Rubber **RAVR<sup>3) 4)</sup>**
- RAVG<sup>2) 3)</sup>**
- RAAR<sup>1)</sup>**

Aluminium  
 Replace standard abbreviation RAPR in column "clamp-halves" as required.



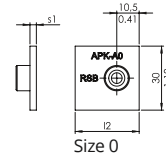
Size 0



Size 0



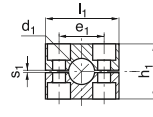
Size 0



Size 0



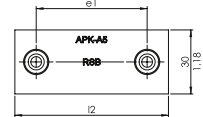
Size 1-8



Size 1-8



Size 1-8



Size 1-8

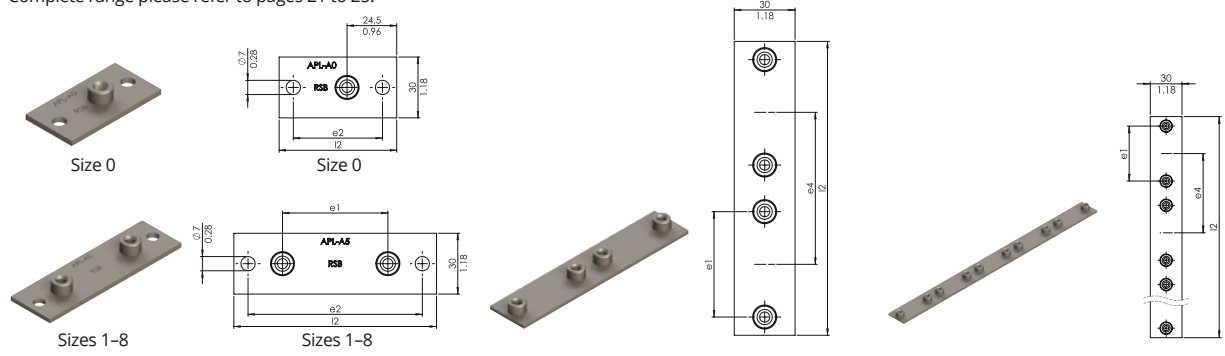
SIZE	O.D. mm	Tube NB	Inch O.D.	RAPR 1 part / 2 clamp-halves	RAPR-... 2 clamp-halves				APK-A Weld plate			
					l <sub>1</sub>	h <sub>1</sub>	e <sub>1</sub>	s <sub>1</sub>	e <sub>1</sub>	l <sub>2</sub>	s <sub>1</sub>	
0	4	G 1/8	1/4	RAPR-004 RAPR-006 RAPR-006,4 RAPR-008 RAPR-009,5 RAPR-010 RAPR-012	28	27	-	0,6	APK-A 0	-	30	3
	1.10				1.06	0,02		1.18				
1	4	G 1/8	1/4	RAPR-104 RAPR-106 RAPR-106,4 RAPR-108 RAPR-109,5 RAPR-110 RAPR-112	34	27	20	0,6	APK-A 1	20	36	3
	1.34				1.06	0.79	0.02	0.79				
2	12,7	G 3/8	1/2	RAPR-212,7 RAPR-213,5 RAPR-214 RAPR-215 RAPR-216 RAPR-217,2 RAPR-218	42	33	26	0,8	APK-A 2	26	42	3
	1.65		1.30		1.02	0.03	1.02	1.65				
3	19	G 1/2	3/4	RAPR-319 RAPR-320 RAPR-321,3 RAPR-322 RAPR-323 RAPR-325 RAPR-325,4	49	35	33	1	APK-A 3	33	50	3
	1.93		1.38		1.30	0.04	1.30	1.65				
4	26,9	G 3/4	1	RAPR-426,9 RAPR-428 RAPR-428,6 RAPR-430	59	42	40	1,2	APK-A 4	40	59	3
	2.32				1.65	1.57	0.05	1.57				
5	32	G 1	1 1/4	RAPR-532 RAPR-533,7 RAPR-535 RAPR-538 RAPR-540 RAPR-542	71	58	52	1,2	APK-A 5	52	72	3
	2.80		2.28		2.05	0.05	2.05	2.83				
6	44,5	G 1 1/2	1 3/4	RAPR-644,5 RAPR-645 RAPR-648 RAPR-650 RAPR-650,8 RAPR-652 RAPR-654 RAPR-655 RAPR-657	86	66	66	1,2	APK-A 6	66	88	3
	3.39		2.60		2.60	0.05	2.60	3.46				
7	57,2	G 2	2 1/4	RAPR-757,2 RAPR-760,3 RAPR-763,5 RAPR-770 RAPR-773 RAPR-776,1	121	93,6	94	1,6	APK-A 7	94	122	5
	4.76		3.69		3.70	0.06	3.70	4.80				
8	88,9	G 3	3 1/2	RAPR 888,9 RAPR 8101,8	147	117,6	120	1,6	APK-A 8	120	148	5
	5.79		4.63		4.72	0.06	4.72	5.83				

dimensions mm  
Inch

All metal parts available in stainless steel. <sup>1)</sup>Aluminium in sizes 0 to 6  
<sup>2)</sup>without prestress <sup>3)</sup>When assembling solid rubber tube clamps, cover plates,  
 hexagon screws and locking washers must be used <sup>4)</sup>Rubber in sizes 1 to 5w



Complete range please refer to pages 21 to 25.



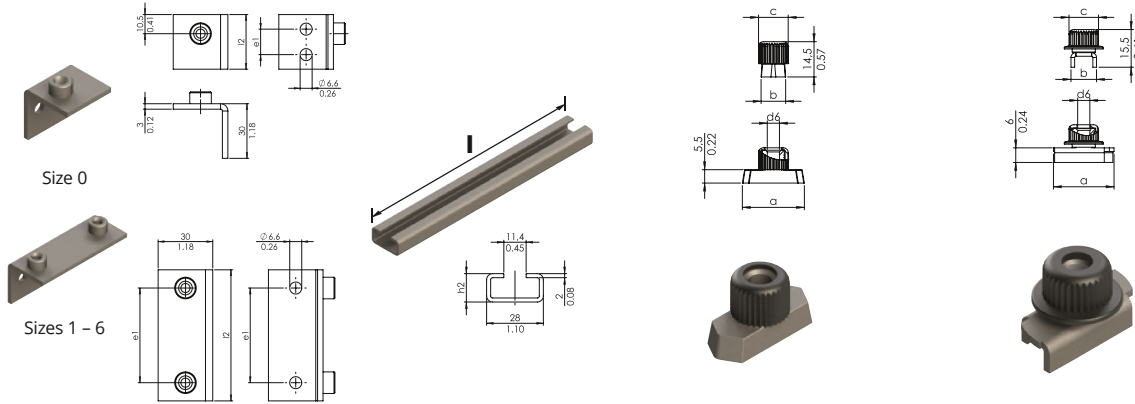
SIZE	APL-A <i>Weld- and screwplate, elongated</i>			APD-A <i>Weldplate, double</i>			APR-A <i>Multiple weld plate</i>					
		e <sub>1</sub>	l <sub>2</sub>	e <sub>2</sub>		e <sub>1</sub>	e <sub>4</sub>	l <sub>2</sub>		e <sub>1</sub>	e <sub>4</sub>	l <sub>2</sub>
0	APL-A 0	-	58	44	APD-A 0	-	30	61	APR-A 0 10 Clamps	-	30	298
			2.28	1.73			1.18	2.40			1.18	11.70
1	APL-A 1	20	64	50	APD-A 1 APDL-A 1	20	35	69	APR-A 1 APRL-A 1 10 Clamps	20	35	349
		0.79	2.52	1.97		0.79	1.38	2.72		0.79	1.38	13.70
2	APL-A 2	26	70	56	APD-A 2 APDL-A 2	26	43	86	APR-A 2 APRL-A 2 10 Clamps	20	53	349
		1.02	2.76	2.20		1.02	1.69	3.39		0.79	1.38	13.70
3	APL-A 3	33	78	64	APD-A 3 APDL-A 3	33	52	104	APR-A 3 APRL-A 3 10 Clamps	20	35	349
		1.30	3.07	2.52		1.30	2.05	4.09		0.79	1.38	13.70
4	APL-A 4	40	87	73	APD-A 4	40	60	117	APR-A 4 5 Clamps	40	60	297
		1.57	3.43	2.87		1.57	2.36	4.61		1.57	2.36	11.70
5	APL-A 5	52	100	86	APD-A 5	52	75	145	APR-A 5 5 Clamps	52	75	370
		2.05	3.94	3.39		2.05	2.95	5.71		2.05	2.95	14.60
6	APL-A 6	66	116	100	APD-A 6	66	90	176	APR-A 6 5 Clamps	66	90	446
		2.60	4.57	3.94		2.60	3.54	6.93		2.60	3.54	17.60
7	APL-A 7	94	150	136								
		3.70	5.91	5.35								
8	APL-A 8	120	178	162								
		4.72	7.01	6.38								

dimensions  $\frac{\text{mm}}{\text{Inch}}$

All metal parts available in stainless steel.



Complete range please refer to pages 21 to 25.



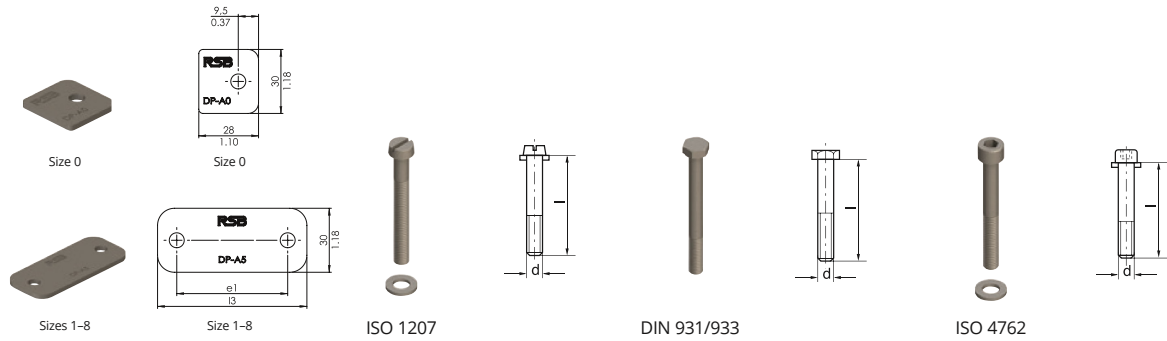
SIZE	APW-A Weld plate, angled		TS-A/B Mounting rail		TM-A/B 1 Rail nut				TM-A/B 1 Visitec																																																																						
	e <sub>1</sub>	l <sub>2</sub>	l	h <sub>2</sub>	a	b	c	d <sub>6</sub>	a	b	c	d <sub>6</sub>																																																																			
0	APW-A 0	14	30	TS 11-A/B 1 TS 11-A/B 2 TS 14-A/B 1 TS 14-A/B 2 TS 30-A/B 1 TS 30-A/B 2	1 m 3.28 ft 2 m 6.56 ft 1 m 3.28 ft 2 m 6.56 ft 1 m 3.28 ft 2 m 6.56 ft	TM-A (TM-B1)	25,4	10,4	12	M 6	24,9	10,5	12	M 6																																																																	
		0.55	1.18												1.00	0.41	0.47	¼-20 UNC	0.98	0.41	0.47	¼-20 UNC																																																									
1	APW-A 1	20	36												1 m	11	TM-A (TM-B1)	25,4	10,4	12	M 6	24,9	10,5	12	M 6																																																						
		0.79	1.42												3.28 ft	0.43										1.00	0.41	0.47	¼-20 UNC	0.98	0.41	0.47	¼-20 UNC																																														
2	APW-A 2	26	42												2 m	11										TM-A (TM-B1)	25,4	10,4	12	M 6	24,9	10,5	12	M 6																																													
		1.02	1.65												6.56 ft	0.43																			1.00	0.41	0.47	¼-20 UNC	0.98	0.41	0.47	¼-20 UNC																																					
3	APW-A 3	33	50												1 m	14																			TM-A (TM-B1)	25,4	10,4	12	M 6	24,9	10,5	12	M 6																																				
		1.30	1.97												3.28 ft	0.55																												1.00	0.41	0.47	¼-20 UNC	0.98	0.41	0.47	¼-20 UNC																												
4	APW-A 4	40	59												2 m	14																												TM-A (TM-B1)	25,4	10,4	12	M 6	24,9	10,5	12	M 6																											
		1.57	2.32												6.56 ft	0.55																																					1.00	0.41	0.47	¼-20 UNC	0.98	0.41	0.47	¼-20 UNC																			
5	APW-A 5	52	72												1 m	30																																					TM-A (TM-B1)	25,4	10,4	12	M 6	24,9	10,5	12	M 6																		
		2.05	2.83												3.28 ft	1.18																																														1.00	0.41	0.47	¼-20 UNC	0.98	0.41	0.47	¼-20 UNC										
6	APW-A 6	66	88												2 m	30																																														TM-A (TM-B1)	25,4	10,4	12	M 6	24,9	10,5	12	M 6									
		2.60	3.46												6.56 ft	1.18																																																							1.00	0.41	0.47	¼-20 UNC	0.98	0.41	0.47	¼-20 UNC	
7																																																																							TM-A (TM-B1)	25,4	10,4	12	M 6	24,9	10,5	12	M 6
8																																																																															

dimensions  $\frac{\text{mm}}{\text{Inch}}$

All metal parts available in stainless steel.



Complete range please refer to pages 21 to 25.



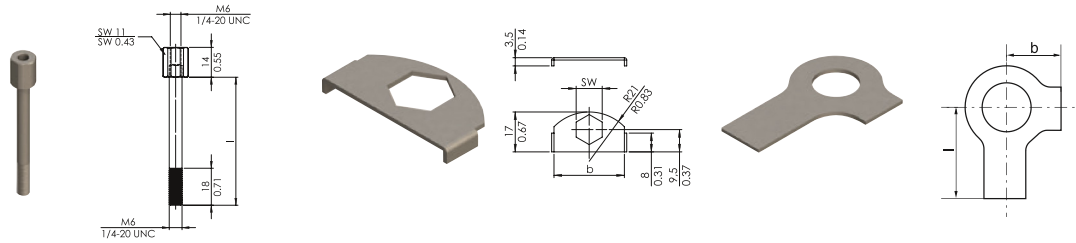
SIZE	DP-A Cover plate		SL-A Slotted head screw		SSL-A Hexagon head screw		IS-A Hexagon socket head screw		
	$l_3$	$e_1$		$d \times l$		$d \times l$		$d \times l$	
0	DP-A 0	28 1.10	7 0.28	SL-A 0 / A 1	M 6 x 20 ¼-20 UNC x ¾	SSL-A 0 / A 1	M 6 x 30 ¼-20 UNC x 1¼	IS-A 0 / A 1	M 6 x 20 ¼-20 UNC x ¾
1	DP-A 1	34 1.34	20 0.79	SL-A 0 / A 1	M 6 x 20 ¼-20 UNC x ¾	SSL-A 0 / A 1	M 6 x 30 ¼-20 UNC x 1¼	IS-A 0 / A 1	M 6 x 20 ¼-20 UNC x ¾
2	DP-A 2	40 1.57	26 1.02	SL-A 2	M 6 x 25 ¼-20 UNC x 1	SSL-A 2 (SS-B 1)	M 6 x 35 ¼-20 UNC x 1¾	IS-A 2	M 6 x 25 ¼-20 UNC x 1
3	DP-A 3	48 1.89	33 1.30	SL-A 3	M 6 x 30 ¼-20 UNC x 1½	SSL-A 3	M 6 x 40 ¼-20 UNC x 1½	IS-A 3	M 6 x 30 ¼-20 UNC x 1½
4	DP-A 4	57 2.24	40 1.57	SL-A 4	M 6 x 35 ¼-20 UNC x 1¾	SSL-A 4	M 6 x 45 ¼-20 UNC x 1¾	IS-A 4 (IS-B 1)	M 6 x 35 ¼-20 UNC x 1¾
5	DP-A 5	70 2.76	52 2.05	SL-A 5	M 6 x 50 ¼-20 UNC x 2	SSL-A 5	M 6 x 60 ¼-20 UNC x 2¾	IS-A 5	M 6 x 50 ¼-20 UNC x 2
6	DP-A 6	86 3.39	66 2.60	SL-A 6	M 6 x 60 ¼-20 UNC x 2¼	SSL-A 6	M 6 x 70 ¼-20 UNC x 2¾	IS-A 6	M 6 x 60 ¼-20 UNC x 2¼
7	DP-A 7	120 4.72	94 3.70	SL-A 7	M 6 x 90 ¼-20 UNC x 3½	SSL-A 7	M 6 x 100 ¼-20 UNC x 4	IS-A 7	M 6 x 90 ¼-20 UNC x 3½
8	DP-A 8	146 5.75	120 4.72	SL-A 8	M 6 x 110 ¼-20 UNC x 4¾	SSL-A 8	M 6 x 125 ¼-20 UNC x 4¾	IS-A 8	M 6 x 110 ¼-20 UNC x 4¾

dimensions  $\frac{\text{mm}}{\text{inch}}$

All metal parts available in stainless steel.



Complete range please refer to pages 21 to 25.



SIZE	AS-A Stacking bolt <sup>1)</sup>		SBR-A Locking plate <sup>1)</sup>			US-A Locking washer <sup>2)</sup>		
		l		b	SW		b	l
0	AS-A 0 / A 1 (AS-B1)	20	SBR-A	30	11	US-A	9	18
		0.79						
1	AS-A 0 / A 1 (AS-B1)	20						
		0.79						
2	AS-A 2	25						
		0.98						
3	AS-A 3	28						
		1.10						
4	AS-A 4	34						
		1.34						
5	AS-A 5	50						
		1.97						
6	AS-A 6	60						
		2.36						
7	AS-A 7	85						
		3.35						
8	AS-A 8	110						
		4.33						

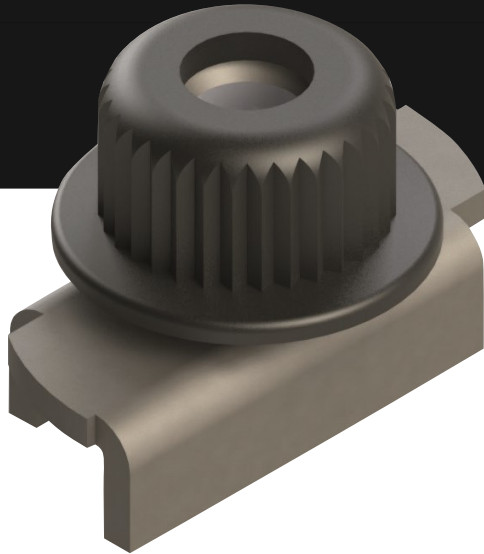
dimensions  $\frac{\text{mm}}{\text{Inch}}$

All metal parts available in stainless steel.  
<sup>1)</sup>The usage of stacking bolts necessitates the use of locking plates during the construction assembly  
<sup>2)</sup>When assembling solid rubber clamps, cover plates, hexagon screws and locking washers must be used



# VISITEC

## THE RAILNUT WITH LOSS PROTECTION



### LIGHT SERIES

Order Code:

**TM-A/B1 VISITEC 1.4571**

**TM-A/B1 VISITEC ZN**

Available in zinc plated version and in stainless steel 1.4571

### ADVANTAGES

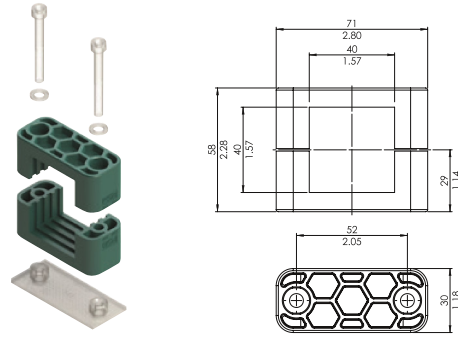
- 40 % time savings during installation
- Fast and easy to install
- Vibration and sound insulating function
- Especially for vertical installations

The big flange prevents that the railnut falls into the rail during installation and has a vibration and sound insulating function.

The rubbercap has an integrated screw locking device. Fast and easy to install, easy to adjust, especially for vertical installations.

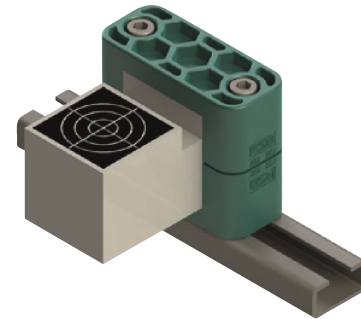
**Order codes  
for clamp-halves:**

Polypropylene **RAPS-540**  
 Polyamide 6 **RANS-540**  
 Rubber **RAVS-540**

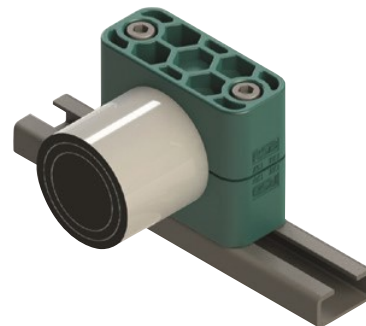


1 piece = 2 clamp halves

Fixing clamp for proximity switch built to EN 50 025 and 50 037 with square casing 40 x 40 mm (1.57 x 1.57 in). The sensors can be adjusted axially and laterally when mounted on mounting rails. Accessory materials same as in Series A, size 5.



Series A tube clamps of suitable diameter can be used for fixing proximity switches with a cylindrical casing built according to EN 50 008, 50 036 and 50 040 or similar.



## TUBE CLAMPS SERIES A | COMPLETE RANGE

### Order codes for clamp-halves:

Polypropylene inside smooth	<b>RAPR</b>
Polyamide 6 inside smooth	<b>RAPG</b>
Rubber	<b>RANR</b>
	<b>RANG</b>
	<b>RAVR<sup>3) 4)</sup></b>
	<b>RAVG<sup>3)</sup></b>
Aluminium	<b>RAAR<sup>2)</sup></b>

Replace standard abbreviation RAPR in column "Order codes" as required.

2 clamp halves with weld plate, slotted head screws and washer

2 clamp halves with weld plate, hexagon socket head screws and washer

2 clamp halves with weld plate, cover plate and hexagon head screws



SIZE	O.D. mm	Tube NB	Inch O.D.	Order Codes	Order Codes	Order Codes		
0 <sup>1)</sup>	4	G 1/8	1/4	RAPR 1-004	RAPR 2-004	RAPR 3-004		
	6			RAPR 1-006	RAPR 2-006	RAPR 3-006		
	6,4			RAPR 1-006,4	RAPR 2-006,4	RAPR 3-006,4		
	8			RAPR 1-008	RAPR 2-008	RAPR 3-008		
	9,5			RAPR 1-009,5	RAPR 2-009,5	RAPR 3-009,5		
1	10	G 1/8	5/16	RAPR 1-010	RAPR 2-010	RAPR 3-010		
	12			RAPR 1-012	RAPR 2-012	RAPR 3-012		
	4			G 1/8	1/4	RAPR 1-104	RAPR 2-104	RAPR 3-104
	6					RAPR 1-106	RAPR 2-106	RAPR 3-106
	6,4					RAPR 1-106,4	RAPR 2-106,4	RAPR 3-106,4
8	RAPR 1-108	RAPR 2-108	RAPR 3-108					
9,5	RAPR 1-109,5	RAPR 2-109,5	RAPR 3-109,5					
2	10	G 3/8	5/8	RAPR 1-110	RAPR 2-110	RAPR 3-110		
	12			RAPR 1-112	RAPR 2-112	RAPR 3-112		
	12,7			G 1/4	1/2	RAPR 1-212,7	RAPR 2-212,7	RAPR 3-212,7
	13,5					RAPR 1-213,5	RAPR 2-213,5	RAPR 3-213,5
	14					RAPR 1-214	RAPR 2-214	RAPR 3-214
15	RAPR 1-215	RAPR 2-215	RAPR 3-215					
16	RAPR 1-216	RAPR 2-216	RAPR 3-216					
3	17,2	G 3/8	5/8	RAPR 1-217,2	RAPR 2-217,2	RAPR 3-217,2		
	18			RAPR 1-218	RAPR 2-218	RAPR 3-218		
	19			G 1/2	3/4	RAPR 1-319	RAPR 2-319	RAPR 3-319
	20					RAPR 1-320	RAPR 2-320	RAPR 3-320
	21,3					RAPR 1-321,3	RAPR 2-321,3	RAPR 3-321,3
22	RAPR 1-322	RAPR 2-322	RAPR 3-322					
23	RAPR 1-323	RAPR 2-323	RAPR 3-323					
4	25	G 3/4	1	RAPR 1-325	RAPR 2-325	RAPR 3-325		
	25,4			RAPR 1-325,4	RAPR 2-325,4	RAPR 3-325,4		
	26,9			G 3/4	1	RAPR 1-426,9	RAPR 2-426,9	RAPR 3-426,9
	28					RAPR 1-428	RAPR 2-428	RAPR 3-428
	28,6					RAPR 1-428,6	RAPR 2-428,6	RAPR 3-428,6
30	RAPR 1-430	RAPR 2-430	RAPR 3-430					
5	32	G 1	1 1/4			RAPR 1-532	RAPR 2-532	RAPR 3-532
	33,7			RAPR 1-533,7	RAPR 2-533,7	RAPR 3-533,7		
	35			G 1	1 1/2	RAPR 1-535	RAPR 2-535	RAPR 3-535
	38					RAPR 1-538	RAPR 2-538	RAPR 3-538
	40					RAPR 1-540	RAPR 2-540	RAPR 3-540
42	RAPR 1-542	RAPR 2-542	RAPR 3-542					
6	44,5	G 1 1/2	1 3/4			RAPR 1-644,5	RAPR 2-644,5	RAPR 3-644,5
	45			RAPR 1-645	RAPR 2-645	RAPR 3-645		
	48			RAPR 1-648	RAPR 2-648	RAPR 3-648		
	50			RAPR 1-650	RAPR 2-650	RAPR 3-650		
	50,8			RAPR 1-650,8	RAPR 2-650,8	RAPR 3-650,8		
	52			RAPR 1-652	RAPR 2-652	RAPR 3-652		
	54			RAPR 1-654	RAPR 2-654	RAPR 3-654		
	55			RAPR 1-655	RAPR 2-655	RAPR 3-655		
	57			RAPR 1-657	RAPR 2-657	RAPR 3-657		
	7			57,2	G 2	2 1/4	RAPR 1-757,2	RAPR 2-757,2
60,3		RAPR 1-760,3	RAPR 2-760,3	RAPR 3-760,3				
63,5		RAPR 1-763,5	RAPR 2-763,5	RAPR 3-763,5				
70		RAPR 1-770	RAPR 2-770	RAPR 3-770				
73		RAPR 1-773	RAPR 2-773	RAPR 3-773				
76,1		RAPR 1-776,1	RAPR 2-776,1	RAPR 3-776,1				
8		88,9	G 3	3 1/2			RAPR 1-888,9	RAPR 2-888,9
	101,8	RAPR 1-8101,8			RAPR 2-8101,8	RAPR 3-8101,8		

If different combinations are required, we would be obliged if they could be ordered as separate components (Please refer to individual components, pages 14 – 18). Delivery in unassembled individual components. <sup>1)</sup>Contrary to illustration size 0 clamps are secured by only one screw. <sup>2)</sup>Aluminium in sizes 0 to 6. <sup>3)</sup>When assembling solid rubber tube clamps, cover plates, hexagon screws and locking washers must be used. <sup>4)</sup>Rubber in sizes 1 to 5.



## TUBE CLAMPS SERIES A | COMPLETE RANGE

### Order codes for clamp-halves:

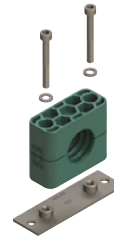
Polypropylene inside smooth	<b>RAPR</b>
Polyamide 6 inside smooth	<b>RAPG</b>
Rubber	<b>RANR</b>
	<b>RANG</b>
	<b>RAVR<sup>3) 4)</sup></b>
	<b>RAVG<sup>3)</sup></b>
Aluminium	<b>RAAR<sup>2)</sup></b>

Replace standard abbreviation RAPR in column "clamp-halves" as required.

2 clamp halves with weld/screw plate, slotted head screws and washer



2 clamp halves with weld/screw plate, hexagon socket head screws and washer



2 clamp halves with weld/screw plate, cover plate and hexagon head screws



SIZE	O.D. mm	Tube NB	Inch O.D.	Order Codes	Order Codes	Order Codes
0 <sup>1)</sup>	4 6 6,4 8 9,5 10 12	G 1/8	1/4 5/16 3/8	RAPR 4-004 RAPR 4-006 RAPR 4-006,4 RAPR 4-008 RAPR 4-009,5 RAPR 4-010 RAPR 4-012	RAPR 5-004 RAPR 5-006 RAPR 5-006,4 RAPR 5-008 RAPR 5-009,5 RAPR 5-010 RAPR 5-012	RAPR 6-004 RAPR 6-006 RAPR 6-006,4 RAPR 6-008 RAPR 6-009,5 RAPR 6-010 RAPR 6-012
1	4 6 6,4 8 9,5 10 12	G 1/8	1/4 5/16 3/8	RAPR 4-104 RAPR 4-106 RAPR 4-106,4 RAPR 4-108 RAPR 4-109,5 RAPR 4-110 RAPR 4-112	RAPR 5-104 RAPR 5-106 RAPR 5-106,4 RAPR 5-108 RAPR 5-109,5 RAPR 5-110 RAPR 5-112	RAPR 6-104 RAPR 6-106 RAPR 6-106,4 RAPR 6-108 RAPR 6-109,5 RAPR 6-110 RAPR 6-112
2	12,7 13,5 14 15 16 17,2 18	G 1/4  G 3/8	1/2  5/8	RAPR 4-212,7 RAPR 4-213,5 RAPR 4-214 RAPR 4-215 RAPR 4-216 RAPR 4-217,2 RAPR 4-218	RAPR 5-212,7 RAPR 5-213,5 RAPR 5-214 RAPR 5-215 RAPR 5-216 RAPR 5-217,2 RAPR 5-218	RAPR 6-212,7 RAPR 6-213,5 RAPR 6-214 RAPR 6-215 RAPR 6-216 RAPR 6-217,2 RAPR 6-218
3	19 20 21,3 22 23 25 25,4	G 1/2	3/4  1	RAPR 4-319 RAPR 4-320 RAPR 4-321,3 RAPR 4-322 RAPR 4-323 RAPR 4-325 RAPR 4-325,4	RAPR 5-319 RAPR 5-320 RAPR 5-321,3 RAPR 5-322 RAPR 5-323 RAPR 5-325 RAPR 5-325,4	RAPR 6-319 RAPR 6-320 RAPR 6-321,3 RAPR 6-322 RAPR 6-323 RAPR 6-325 RAPR 6-325,4
4	26,9 28 28,6 30	G 3/4		RAPR 4-426,9 RAPR 4-428 RAPR 4-428,6 RAPR 4-430	RAPR 5-426,9 RAPR 5-428 RAPR 5-428,6 RAPR 5-430	RAPR 6-426,9 RAPR 6-428 RAPR 6-428,6 RAPR 6-430
5	32 33,7 35 38 40 42	G 1  G 1 1/4	1 1/4  1 1/2	RAPR 4-532 RAPR 4-533,7 RAPR 4-535 RAPR 4-538 RAPR 4-540 RAPR 4-542	RAPR 5-532 RAPR 5-533,7 RAPR 5-535 RAPR 5-538 RAPR 5-540 RAPR 5-542	RAPR 6-532 RAPR 6-533,7 RAPR 6-535 RAPR 6-538 RAPR 6-540 RAPR 6-542
6	44,5 45 48 50 50,8 52 54 55 57	G 1 1/2	1 3/4  2	RAPR 4-644,5 RAPR 4-645 RAPR 4-648 RAPR 4-650 RAPR 4-650,8 RAPR 4-652 RAPR 4-654 RAPR 4-655 RAPR 4-657	RAPR 5-644,5 RAPR 5-645 RAPR 5-648 RAPR 5-650 RAPR 5-650,8 RAPR 5-652 RAPR 5-654 RAPR 5-655 RAPR 5-657	RAPR 6-644,5 RAPR 6-645 RAPR 6-648 RAPR 6-650 RAPR 6-650,8 RAPR 6-652 RAPR 6-654 RAPR 6-655 RAPR 6-657
7	57,2 60,3 63,5 70 73 76,1	G 2  G 2 1/2	2 1/4  2 1/2 2 3/4 3	RAPR 4-757,2 RAPR 4-760,3 RAPR 4-763,5 RAPR 4-770 RAPR 4-773 RAPR 4-776,1	RAPR 5-757,2 RAPR 5-760,3 RAPR 5-763,5 RAPR 5-770 RAPR 5-773 RAPR 5-776,1	RAPR 6-757,2 RAPR 6-760,3 RAPR 6-763,5 RAPR 6-770 RAPR 6-773 RAPR 6-776,1
8	88,9 101,8	G 3 G 3 1/2	3 1/2 4	RAPR 4-888,9 RAPR 4-8101,8	RAPR 5-888,9 RAPR 5-8101,8	RAPR 6-888,9 RAPR 6-8101,8

If different combinations are required, we would be obliged if they could be ordered as separate components (Please refer to individual components, pages 14 – 18). Delivery in unassembled individual components. <sup>1)</sup>Contrary to illustration size 0 clamps are secured by only one screw <sup>2)</sup>Aluminium in sizes 0 to 6 <sup>3)</sup>When assembling solid rubber tube clamps, cover plates, hexagon screws and locking washers must be used <sup>4)</sup>Rubber in sizes 1 to 5

## TUBE CLAMPS SERIES A | COMPLETE RANGE

### Order codes for clamp-halves:

Polypropylene inside smooth	<b>RAPR</b>
Polyamide 6 inside smooth	<b>RAPG</b>
Rubber	<b>RANR</b>
	<b>RANG</b>
	<b>RAVR<sup>3) 4)</sup></b>
	<b>RAVG<sup>3)</sup></b>
Aluminium	<b>RAAR<sup>2)</sup></b>

Replace standard abbreviation RAPR in column "Order codes" as required.

2 clamp halves with rail nuts, slotted head screws and washer



2 clamp halves with rail nuts, socket head bolts and washer



2 clamp halves with rail nuts, cover plate and hexagon head screws



SIZE	O.D. mm	Tube NB	Inch O.D.	Order Codes	Order Codes	Order Codes
0 <sup>1)</sup>	4 6 6,4 8 9,5 10 12	G 1/8	1/4 5/16 3/8	RAPR 9-004 RAPR 9-006 RAPR 9-006,4 RAPR 9-008 RAPR 9-009,5 RAPR 9-010 RAPR 9-012	RAPR 10-004 RAPR 10-006 RAPR 10-006,4 RAPR 10-008 RAPR 10-009,5 RAPR 10-010 RAPR 10-012	RAPR 12-004 RAPR 12-006 RAPR 12-006,4 RAPR 12-008 RAPR 12-009,5 RAPR 12-010 RAPR 12-012
1	4 6 6,4 8 9,5 10 12	G 1/8	1/4 5/16 3/8	RAPR 9-104 RAPR 9-106 RAPR 9-106,4 RAPR 9-108 RAPR 9-109,5 RAPR 9-110 RAPR 9-112	RAPR 10-104 RAPR 10-106 RAPR 10-106,4 RAPR 10-108 RAPR 10-109,5 RAPR 10-110 RAPR 10-112	RAPR 12-104 RAPR 12-106 RAPR 12-106,4 RAPR 12-108 RAPR 12-109,5 RAPR 12-110 RAPR 12-112
2	12,7 13,5 14 15 16 17,2 18	G 1/4  G 3/8	1/2  5/8	RAPR 9-212,7 RAPR 9-213,5 RAPR 9-214 RAPR 9-215 RAPR 9-216 RAPR 9-217,2 RAPR 9-218	RAPR 10-212,7 RAPR 10-213,5 RAPR 10-214 RAPR 10-215 RAPR 10-216 RAPR 10-217,2 RAPR 10-218	RAPR 12-212,7 RAPR 12-213,5 RAPR 12-214 RAPR 12-215 RAPR 12-216 RAPR 12-217,2 RAPR 12-218
3	19 20 21,3 22 23 25 25,4	G 1/2	3/4  1	RAPR 9-319 RAPR 9-320 RAPR 9-321,3 RAPR 9-322 RAPR 9-323 RAPR 9-325 RAPR 9-325,4	RAPR 10-319 RAPR 10-320 RAPR 10-321,3 RAPR 10-322 RAPR 10-323 RAPR 10-325 RAPR 10-325,4	RAPR 12-319 RAPR 12-320 RAPR 12-321,3 RAPR 12-322 RAPR 12-323 RAPR 12-325 RAPR 12-325,4
4	26,9 28 28,6 30	G 3/4		RAPR 9-426,9 RAPR 9-428 RAPR 9-428,6 RAPR 9-430	RAPR 10-426,9 RAPR 10-428 RAPR 10-428,6 RAPR 10-430	RAPR 12-426,9 RAPR 12-428 RAPR 12-428,6 RAPR 12-430
5	32 33,7 35 38 40 42	G 1  G 1 1/4	1 1/4  1 1/2	RAPR 9-532 RAPR 9-533,7 RAPR 9-535 RAPR 9-538 RAPR 9-540 RAPR 9-542	RAPR 10-532 RAPR 10-533,7 RAPR 10-535 RAPR 10-538 RAPR 10-540 RAPR 10-542	RAPR 12-532 RAPR 12-533,7 RAPR 12-535 RAPR 12-538 RAPR 12-540 RAPR 12-542
6	44,5 45 48 50 50,8 52 54 55 57	G 1 1/2	1 3/4  2	RAPR 9-644,5 RAPR 9-645 RAPR 9-648 RAPR 9-650 RAPR 9-650,8 RAPR 9-652 RAPR 9-654 RAPR 9-655 RAPR 9-657	RAPR 10-644,5 RAPR 10-645 RAPR 10-648 RAPR 10-650 RAPR 10-650,8 RAPR 10-652 RAPR 10-654 RAPR 10-655 RAPR 10-657	RAPR 12-644,5 RAPR 12-645 RAPR 12-648 RAPR 12-650 RAPR 12-650,8 RAPR 12-652 RAPR 12-654 RAPR 12-655 RAPR 12-657
7	57,2 60,3 63,5 70 73 76,1	G 2  G 2 1/2	2 1/4  2 1/2 2 3/4 3	RAPR 9-757,2 RAPR 9-760,3 RAPR 9-763,5 RAPR 9-770 RAPR 9-773 RAPR 9-776,1	RAPR 10-757,2 RAPR 10-760,3 RAPR 10-763,5 RAPR 10-770 RAPR 10-773 RAPR 10-776,1	RAPR 12-757,2 RAPR 12-760,3 RAPR 12-763,5 RAPR 12-770 RAPR 12-773 RAPR 12-776,1
8	88,9 101,8	G 3 G 3 1/2	3 1/2 4	RAPR 9-888,9 RAPR 9-8101,8	RAPR 10-888,9 RAPR 10-8101,8	RAPR 12-888,9 RAPR 12-8101,8

If different combinations are required, we would be obliged if they could be ordered as separate components (Please refer to individual components, pages 14 - 18). Delivery in unassembled individual components. <sup>1)</sup>Contrary to illustration size 0 clamps are secured by only one screw <sup>2)</sup>Aluminium in sizes 0 to 6 <sup>3)</sup>When assembling solid rubber tube clamps, cover plates, hexagon screws and locking washers must be used <sup>4)</sup>Rubber in sizes 1 to 5

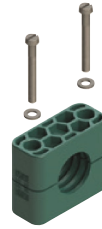
## TUBE CLAMPS SERIES A | COMPLETE RANGE

### Order codes for clamp-halves:

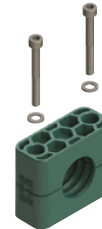
Polypropylene inside smooth	<b>RAPR</b>
Polyamide 6 inside smooth	<b>RAPG</b>
Rubber	<b>RANR</b>
	<b>RANG</b>
	<b>RAVR<sup>3) 4)</sup></b>
	<b>RAVG<sup>3)</sup></b>
Aluminium	<b>RAAR<sup>2)</sup></b>

Replace standard abbreviation RAPR in column "clamp-halves" as required.

2 clamp halves, slotted head screws and washer



2 clamp halves, hexagon socket head screws and washer



SIZE	O.D. mm	Tube NB	Inch O.D.	Order Codes	Order Codes
0 <sup>1)</sup>	4	G 1/8	1/4	RAPR 13-004	RAPR 14-004
	6			RAPR 13-006	RAPR 14-006
	6,4			RAPR 13-006,4	RAPR 14-006,4
	8			RAPR 13-008	RAPR 14-008
	9,5			RAPR 13-009,5	RAPR 14-009,5
1	10	G 1/8	1/4	RAPR 13-010	RAPR 14-010
	12			RAPR 13-012	RAPR 14-012
	4			RAPR 13-104	RAPR 14-104
	6			RAPR 13-106	RAPR 14-106
	6,4			RAPR 13-106,4	RAPR 14-106,4
2	8	G 3/8	5/8	RAPR 13-108	RAPR 14-108
	9,5			RAPR 13-109,5	RAPR 14-109,5
	10			RAPR 13-110	RAPR 14-110
	12			RAPR 13-112	RAPR 14-112
	12,7			RAPR 13-212,7	RAPR 14-212,7
3	13,5	G 1/2	3/4	RAPR 13-213,5	RAPR 14-213,5
	14			RAPR 13-214	RAPR 14-214
	15			RAPR 13-215	RAPR 14-215
	16			RAPR 13-216	RAPR 14-216
	17,2			RAPR 13-217,2	RAPR 14-217,2
4	18	G 3/4	1	RAPR 13-218	RAPR 14-218
	19			RAPR 13-319	RAPR 14-319
	20			RAPR 13-320	RAPR 14-320
	21,3			RAPR 13-321,3	RAPR 14-321,3
	22			RAPR 13-322	RAPR 14-322
5	23	G 1	1 1/4	RAPR 13-323	RAPR 14-323
	25			RAPR 13-325	RAPR 14-325
	25,4			RAPR 13-325,4	RAPR 14-325,4
	26,9			RAPR 13-426,9	RAPR 14-426,9
	28			RAPR 13-428	RAPR 14-428
6	28,6	G 1 1/4	1 1/2	RAPR 13-428,6	RAPR 14-428,6
	30			RAPR 13-430	RAPR 14-430
	32			RAPR 13-532	RAPR 14-532
	33,7			RAPR 13-533,7	RAPR 14-533,7
	35			RAPR 13-535	RAPR 14-535
7	38	G 2	2 1/4	RAPR 13-538	RAPR 14-538
	40			RAPR 13-540	RAPR 14-540
	42			RAPR 13-542	RAPR 14-542
	44,5			RAPR 13-644,5	RAPR 14-644,5
	45			RAPR 13-645	RAPR 14-645
8	48	G 2 1/2	3	RAPR 13-648	RAPR 14-648
	50			RAPR 13-650	RAPR 14-650
	50,8			RAPR 13-650,8	RAPR 14-650,8
	52			RAPR 13-652	RAPR 14-652
	54			RAPR 13-654	RAPR 14-654
9	55	G 3	3 1/2	RAPR 13-655	RAPR 14-655
	57			RAPR 13-657	RAPR 14-657
	57,2			RAPR 13-757,2	RAPR 14-757,2
	60,3			RAPR 13-760,3	RAPR 14-760,3
	63,5			RAPR 13-763,5	RAPR 14-763,5
10	70	G 3 1/2	4	RAPR 13-770	RAPR 14-770
	73			RAPR 13-773	RAPR 14-773
	76,1			RAPR 13-776,1	RAPR 14-776,1
	88,9			RAPR 13-888,9	RAPR 14-888,9
	101,8			RAPR 13-8101,8	RAPR 14-8101,8

If different combinations are required, we would be obliged if they could be ordered as separate components (Please refer to individual components, pages 14 – 18). Delivery in unassembled individual components. <sup>1)</sup>Contrary to illustration size 0 clamps are secured by only one screw. <sup>2)</sup>Aluminium in sizes 0 to 6. <sup>3)</sup>When assembling solid rubber tube clamps, cover plates, hexagon screws and locking washers must be used. <sup>4)</sup>Rubber in sizes 1 to 5.

## TUBE CLAMPS SERIES A | COMPLETE RANGE

### Order codes for clamp-halves:

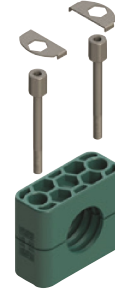
Polypropylene inside smooth	<b>RAPR</b>
Polyamide 6 inside smooth	<b>RAPG</b>
Rubber	<b>RANR</b>
	<b>RANG</b>
	<b>RAVR<sup>3) 4)</sup></b>
	<b>RAVG<sup>3)</sup></b>
Aluminium	<b>RAAR<sup>2)</sup></b>

Replace standard abbreviation RAPR in column "Order codes" as required.

2 clamp halves, cover plate and hexagon head screws



2 clamp halves, stacking bolts and locking plates



SIZE	O.D. mm	Tube NB	Inch O.D.	Order Codes	Order Codes
0 <sup>1)</sup>	4 6 6,4 8 9,5 10 12	G 1/8	5/16	RAPR 16-004 RAPR 16-006 RAPR 16-006,4 RAPR 16-008 RAPR 16-009,5 RAPR 16-010 RAPR 16-012	RAPR 18-004 RAPR 18-006 RAPR 18-006,4 RAPR 18-008 RAPR 18-009,5 RAPR 18-010 RAPR 18-012
1	4 6 6,4 8 9,5 10 12	G 1/8	5/16	RAPR 16-104 RAPR 16-106 RAPR 16-106,4 RAPR 16-108 RAPR 16-109,5 RAPR 16-110 RAPR 16-112	RAPR 18-104 RAPR 18-106 RAPR 18-106,4 RAPR 18-108 RAPR 18-109,5 RAPR 18-110 RAPR 18-112
2	12,7 13,5 14 15 16 17,2 18	G 1/4  G 3/8	1/2  5/8	RAPR 16-212,7 RAPR 16-213,5 RAPR 16-214 RAPR 16-215 RAPR 16-216 RAPR 16-217,2 RAPR 16-218	RAPR 18-212,7 RAPR 18-213,5 RAPR 18-214 RAPR 18-215 RAPR 18-216 RAPR 18-217,2 RAPR 18-218
3	19 20 21,3 22 23 25 25,4	G 1/2	3/4  1	RAPR 16-319 RAPR 16-320 RAPR 16-321,3 RAPR 16-322 RAPR 16-323 RAPR 16-325 RAPR 16-325,4	RAPR 18-319 RAPR 18-320 RAPR 18-321,3 RAPR 18-322 RAPR 18-323 RAPR 18-325 RAPR 18-325,4
4	26,9 28 28,6 30	G 3/4		RAPR 16-426,9 RAPR 16-428 RAPR 16-428,6 RAPR 16-430	RAPR 18-426,9 RAPR 18-428 RAPR 18-428,6 RAPR 18-430
5	32 33,7 35 38 40 42	G 1  G 1 1/4	1 1/4  1 1/2	RAPR 16-532 RAPR 16-533,7 RAPR 16-535 RAPR 16-538 RAPR 16-540 RAPR 16-542	RAPR 18-532 RAPR 18-533,7 RAPR 18-535 RAPR 18-538 RAPR 18-540 RAPR 18-542
6	44,5 45 48 50 50,8 52 54 55 57	G 1 1/2	1 3/4  2	RAPR 16-644,5 RAPR 16-645 RAPR 16-648 RAPR 16-650 RAPR 16-650,8 RAPR 16-652 RAPR 16-654 RAPR 16-655 RAPR 16-657	RAPR 18-644,5 RAPR 18-645 RAPR 18-648 RAPR 18-650 RAPR 18-650,8 RAPR 18-652 RAPR 18-654 RAPR 18-655 RAPR 18-657
7	57,2 60,3 63,5 70 73 76,1	G 2  G 2 1/2	2 1/4  2 1/2 2 3/4  3	RAPR 16-757,2 RAPR 16-760,3 RAPR 16-763,5 RAPR 16-770 RAPR 16-773 RAPR 16-776,1	RAPR 18-757,2 RAPR 18-760,3 RAPR 18-763,5 RAPR 18-770 RAPR 18-773 RAPR 18-776,1
8	88,9 101,8	G 3 G 3 1/2	3 1/2 4	RAPR 16-888,9 RAPR 16-8101,8	RAPR 18-888,9 RAPR 18-8101,8

If different combinations are required, we would be obliged if they could be ordered as separate components (Please refer to individual components, pages 14 - 18). Delivery in unassembled individual components. <sup>1)</sup>Contrary to illustration size 0 clamps are secured by only one screw. <sup>2)</sup>Aluminium in sizes 0 to 6. <sup>3)</sup>When assembling solid rubber tube clamps, cover plates, hexagon screws and locking washers must be used. <sup>4)</sup>Rubber in sizes 1 to 5.