



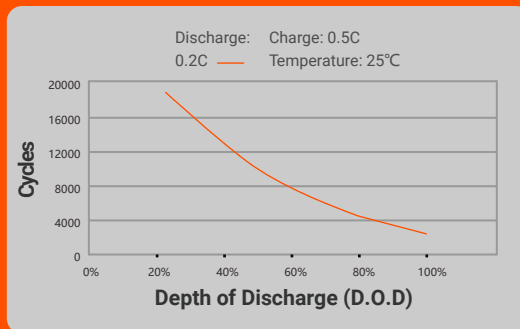
36V 100Ah Lithium (LifePO4) Battery

RECHARGEABLE
LITHIUM (LifePO4) DEEP CYCLE BATTERY

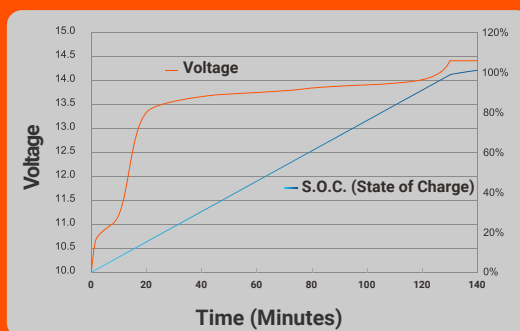
5 Year Warranty
Lifetime Customer Support



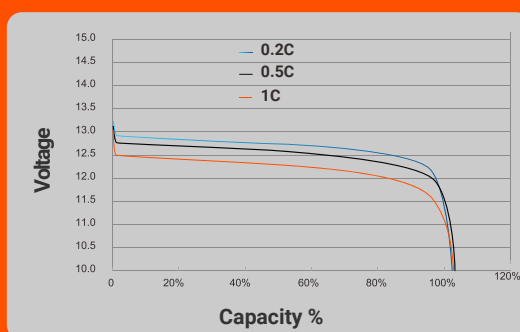
This recreational Deep Cycle battery is suitable for uses in RV, marine, electric trolling motors, recreational water sports, powering inverters & larger electrical systems. It can also be used in off grid solar, energy storage systems, electric vehicles and more.



Cycle Life v D.O.D



Charge Characteristics (0.5C @ 25°C)



Discharge Characteristics (@ 25°C)

SPECIFICATIONS

Model: OCBL36-100

Voltage	36V
Capacity	100Ah (3600Wh)
Charge Voltage	43.2V - 43.8V
Charging Current	5-25A
Fast Charging Current	50A (100A Max.)
Discharge Current	100A (Continuous)
Peak Discharge Current	550A(250ms) / 300A(3S)
Low / High Voltage Cut Off Protection	Low <30V / High >44.4V
Charge Temperature	0°C to 50°C
Operating / Discharge Temperature	-20°C to 60°C
Terminal Size	M8 (7-9 Nm Torque)
Dimensions	521 x 267 x 220mm
Weight	33kg

Maximum number of Batteries connected in Parallel cannot exceed 4*.
IMPORTANT: When connecting batteries in parallel, you must ensure all batteries are evenly charged and within 100mV of each other before connecting.
*Refer to product owners manual for further details regarding parallel connections.



Safety

Over Charge Protection.
Over Discharge Protection.
Short Circuit Protection.



Durable

Long Cycle Life.
3000+ Cycles @ 80% D.O.D.



Intelligent

This battery includes an Intelligent Battery Management System (BMS). The BMS will monitor and help prevent over charge, over discharge, over current and short circuit. It also ensures internal cells are equally balanced and maintained for maximum performance.

POWERING YOUR PASSION

www.ozcharge.com.au

Features and Benefits

OCBL36-100 Dimensions



Long Life

With a service life of up to 10 years and a massive 3000+ cycles @ 80% Depth of Discharge.



Cobalt Free

Our Lithium is 100% Cobalt free making our batteries environmentally and socially conscious, and safer from fire risk.



The Power of ONE

Match your OzCharge® Lithium battery with an OzCharge® Lithium Charger to achieve optimised charging and performance.



More Power

Higher battery voltages mean you can run appliances longer on the same battery size.



Faster charging

You can charge Lithium faster which means more time to enjoy the good times.



Lighter

Lithium has a higher energy density to weight ratio than traditional lead acid batteries.



Total Cost of Ownership

Your cost per cycle is significantly smaller when compared to lead acid batteries.



Recyclable

Easily recycled by dropping off at any approved Lithium recycling station.



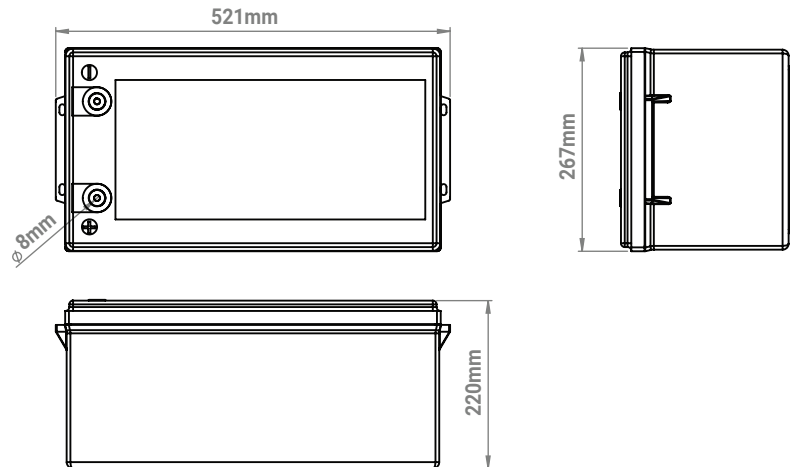
Inbuilt Safety

You and your battery are protected 24/7 by the internal Active Battery Management System.



Ozzie Lithium

Our cell manufacturing partner sources Australian Lithium.



Battery Specifications Continued

IP rating	IP65
Case material	Flame retardant ABS
Cell Type	Cylindrical LiFePO4
BMS protection (See User Manual for details)	Over charge, Over discharge, Over current, Over temp, Short, Balance
Self Discharge	Less than 3% per month
Charge Efficiency	100% @ 0.2C
Discharge Efficiency	98-100% @ 1C
Warranty	5 Years
Certifications	UL1642 (Cell) IEC62133 (Cell) IEC62619 (Cell) CE (Pack) ROHS (Cell)
Shipping Certification	UN38.3 (Cell / Pack)

Technical Support

Please call our hotline if you have any questions or need any support with the product. We are here to take your call.

Zylux Energy Pty. Ltd.

Hours: Monday to Friday 9.00am – 5.00pm

Phone: (03) 9482 2203 **Email:** info@zylux.com.au



Desconstructed view of 12.8V 100Ah model shown



UN38.3



POWERING YOUR PASSION

www.ozcharge.com.au