



Model: OC-RM800i
On-Board Emergency Starter

OWNER'S MANUAL

Congratulations on purchasing the OzCharge Rescue Mate On-Board Emergency Starter. Please take the time to carefully read and understand this manual before using this product.

This device uses the latest and safest Lithium Titanate rechargeable batteries and is fully micro-processor controlled to ensure the device is adequately charged and ready to provide power when you need it. This Emergency Starter which will ensure you never get stranded with a flat battery. If your battery is flat, simply press the Emergency Activation Switch and start your vehicle.

IMPORTANT SAFETY ADVICE AND WARNINGS:

- This device is suitable for 12V applications only.
- **This device must be installed by a Professional / Authorised installer and fused appropriately.**
- This device contains lithium Titanate Batteries.
- Double check all connections are correct before using this device.
- Never Short Circuit or connect the input / output leads Reverse Polarity.
- Do not attempt to use the device if it has been dropped or damaged.
- Do not attempt to use the device if the cables or plugs are damaged.
- If battery acid contacts your skin or clothing, wash immediately with soap and water. If acid enters your eye, immediately flush the eye with running cold water for at least 10 minutes and seek medical attention. Someone should always be within range of your voice.
- Never attempt to use this device on a damaged battery, frozen battery or non rechargeable battery.
- When working with lead-acid batteries, remove personal metal items such as rings, bracelets, necklaces, watches and make sure you don't short circuit the battery terminals with any type of metal tool or piece of jewellery as this will cause an explosion. You can wrap your spanner with insulation tape to minimise the risk of a short circuit.
- NEVER smoke, use an open flame or create sparks near a battery or this device during operation as this may cause an explosion and explosive gases.
- Do not disassemble the device. Take it to a qualified and authorised person for repair.
- The device must not be used or played with by infirm persons or children. Also keep it away from any pets.



ENGINE TYPES & CAPACITY:

The OC-RM800i has been designed for use in automotive and marine applications with Petrol/ Gasoline engines up to 8.0 litres and Diesel engines up to 5.0 litres. This should be used as a general guide only as all vehicles are different and require different amounts of starting current to start. Please contact your authorised dealer/installer to confirm vehicle compatibility.

WHAT'S INCLUDED:

Main unit
LED/Switch harness
Operating instructions

Optional Accessories:

Vehicle Specific Mounting Brackets

Please contact your authorised dealer/installer to confirm availability.

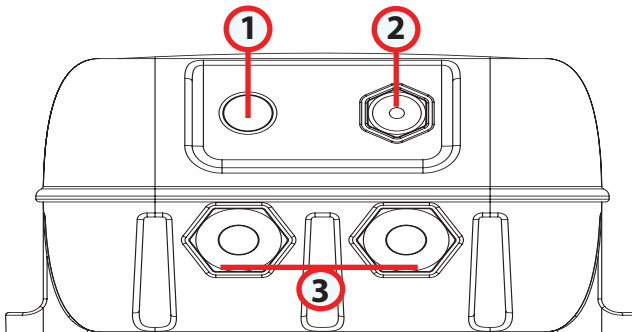
TECHNICAL SPECIFICATIONS:

Model Number	OC-RM800i
Output	12V DC / 800A Max.
Input Voltage	0.5V - 15.5V
Battery Capacity	8,000mAh (Lithium Titanate)
Standby Current Consumption	5mA max. / 0.1mA Typical
Emergency Start Switch Activation	0.5V to 13.5V
Accepts Charging	>13.5V
Over Voltage Cut Off Protection	14.3V
Operating Temperature	-20 to 80 C°
IP Rating	IP67
Operating Humidity	90% RH Max.
Size (L*W*H)	224 x 154 x 103mm
Weight	2.9kg approx.
Approvals	FCC, AS/NZS CISPR 32:2015, EN55032:2015, EN55024:2010+A1:2015

THE RM800i CAN HOLD CHARGE FOR 4-6 MONTHS. IF YOUR VEHICLE ISN'T DRIVEN VERY OFTEN, YOU MUST ENSURE THE DEVICE IS CHARGED UP EVERY 4 TO 6 MONTHS BY EITHER STARTING YOUR VEHICLE FOR A FEW MINUTES OR KEEPING YOUR VEHICLE CONNECTED TO A BATTERY CHARGER / MAINTAINER. FAILING TO DO THIS CAN CAUSE REDUCED PERFORMANCE AND WILL VOID WARRANTY.

INPUTS / OUTPUTS:

- 1) LED/Switch** - Push Button LED. Activates the On-board Emergency Starter Output.
- 2) Remote Switch/LED Input** - The Remote Switch/LED connects here. Activates the On-board Emergency Starter Output.
- 3) Battery Connection** - Connect to main starter battery.



HOW IT WORKS?

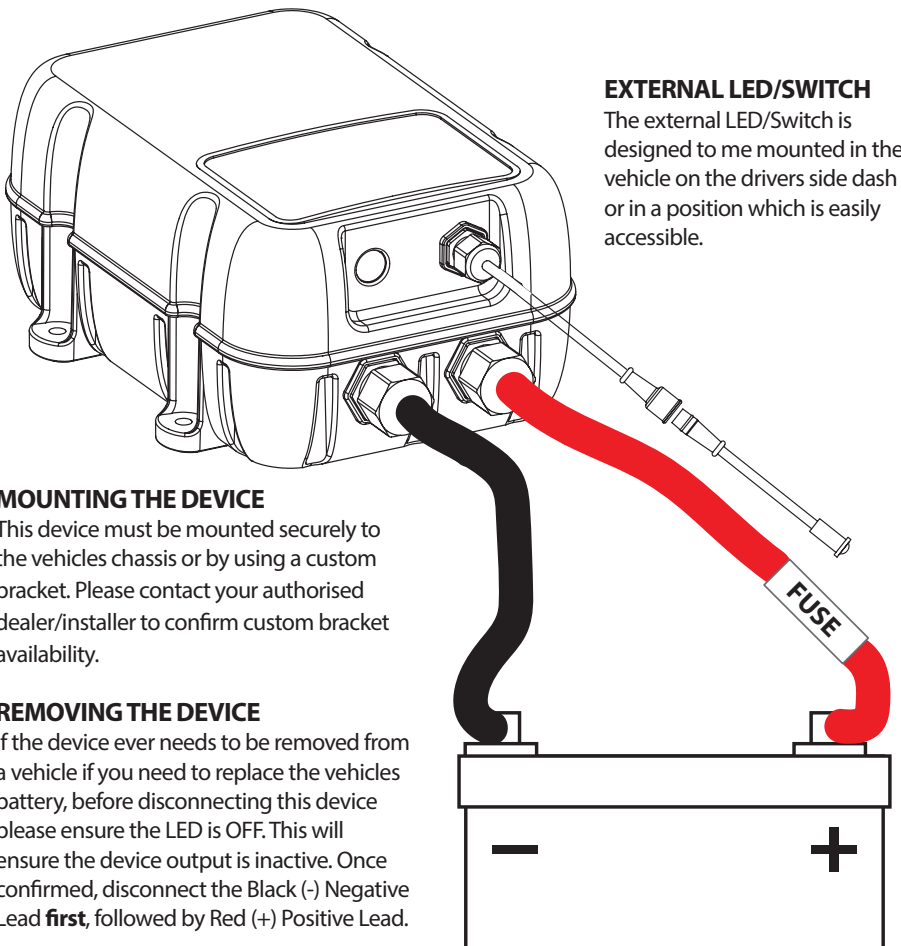
The OzCharge On-Board Rescue Mate has been designed to be permanently mounted next to your starter battery. It connects directly to your battery and provides power for starting your engine / jump starting your vehicle when required.

If the Vehicle doesn't start, simply press the Dash Mounted Switch/LED or the Switch/LED on the main unit and start your vehicle.

CONNECTING THE DEVICE

Connect the Red Terminal to the Positive (+) fused battery connection and the Black Negative (-) terminal to the vehicles Negative (-) battery terminal.

Please make sure the device is Fused as close as possible to battery connection. Note: The RM800i comes with an inline automotive time delay 350A fuse.



EXTERNAL LED/SWITCH

The external LED/Switch is designed to be mounted in the vehicle on the drivers side dash or in a position which is easily accessible.

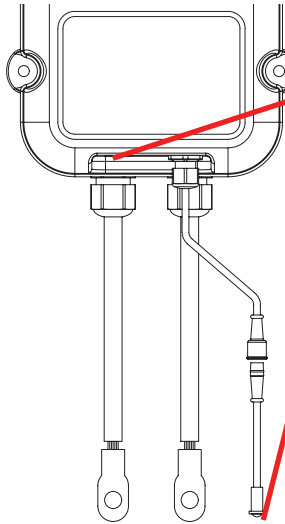
MOUNTING THE DEVICE

This device must be mounted securely to the vehicles chassis or by using a custom bracket. Please contact your authorised dealer/installer to confirm custom bracket availability.

REMOVING THE DEVICE

If the device ever needs to be removed from a vehicle if you need to replace the vehicles battery, before disconnecting this device please ensure the LED is OFF. This will ensure the device output is inactive. Once confirmed, disconnect the Black (-) Negative Lead **first**, followed by Red (+) Positive Lead.

LED/SWITCH OPERATION & INDICATOR TABLE:



When your vehicle fails to start due to a flat battery, simply press the emergency start activation switch. The LED on the remote switch and the main unit will illuminate GREEN. When the LED is GREEN, start your vehicle.

Please ensure your radio, heater, air conditioner, headlights are switched off before starting.

The LED will automatically turn off within 30 seconds and the device will automatically recharge if required.

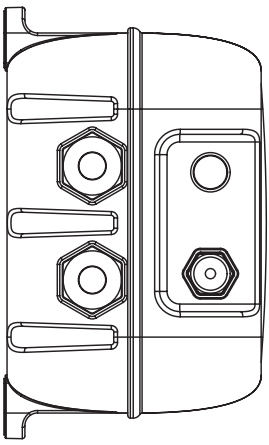
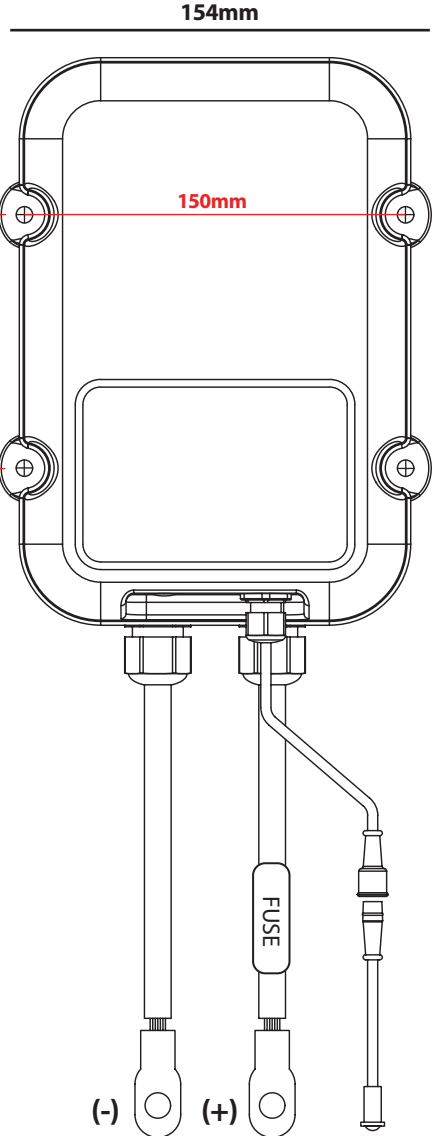
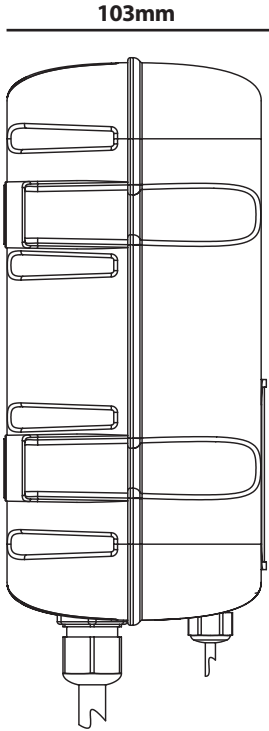
Note: If your battery voltage is below 10.5V in the vehicle, the LED indicator will flash Red to inform you that your battery is flat.

LED	Status	Description
Green	ON	The LED will illuminate GREEN when the Emergency Start Switch is activated. It will remain Green for 30 seconds or unless you press the Emergency Start Switch again to deactivate the units output.
Red	Flash	The LED will flash RED when the vehicles battery voltage is under 10.5V.

TROUBLE SHOOTING:

Problem	Indication	Possible Causes	Suggested Solution
Vehicle will not start	The Green LED is ON	<ul style="list-style-type: none"> - Too many accessories are on. - Unit Capacity not sufficient for application. 	<ul style="list-style-type: none"> - Please ensure your radio, heater, air conditioner, headlights are switched off before starting. - Check product is suitable for your application.
Emergency Start will not activate	LED is OFF	<ul style="list-style-type: none"> - The vehicles battery voltage is below 0.5V. 	<ul style="list-style-type: none"> - Battery is completely dead flat. The vehicles battery needs to be over 0.5V for the Emergency Start feature to activate. Check and make sure all Accessories, lights, loads are switched off and try pressing the Emergency Start switch again. - Vehicle battery most likely needs replacing. Consult a battery specialist for testing.

UNIT DIAGRAM / MEASUREMENTS



(+) Positive connection must be fused.
The RM800i contains an inline automotive time delay 350A fuse.

Hole Size for LED/Switch: 12mm



2 YEAR PRODUCT WARRANTY:

Zylux Distribution Pty. Ltd. (ABN 66 101 378 009) of 166 Christmas Street, Fairfield, Victoria, 3078, Australia and OzCharge America LLC warrants to the Customer that this product is substantially free from defects in materials and workmanship under normal use for a period of Two (2) Years from the Date of Purchase. Please ensure you keep a copy of your purchase receipt on file as this will be required to validate your warranty.

Obtaining Warranty Service:

Within the warranty period, the Customer must contact the authorised supplier / retailer where the product was purchased or alternatively you can contact the Oz Charge service centre through one of the following methods:

Service help phone: Within Australia (03) 9482 2203

Outside of Australia: +61 3 9482 2203

Website: www.ozcharge.com.au / www.ozcharge.co.nz / www.ozcharge.com

If the Authorised Supplier and / or Oz Charge service centre concludes that while under normal use, a product failure or malfunction occurred during the warranty period and was caused by a defect in material or workmanship (see Exclusions), the Customer will be asked to ship to the nearest service point for repair or replacement, at our discretion. The product must be packaged appropriately for safe shipment. To prove that the product is under warranty, the customer should enclose a copy of their receipt for proof of purchase. It is recommended that returned products be sent by registered mail as Zylux Distribution Pty. Ltd. (Oz Charge) accepts no responsibility / liability for goods lost or damaged in transit.

Exclusions:

If upon receiving a product for repair and if testing and examining the product has disclosed that the alleged defect or malfunction in the product does not exist or was caused by the Customer or any third persons misuse, neglect, physical abuse, water damage, unauthorised attempts to open, exposure to extremely high temperatures, tampered with or repaired by an unauthorised persons, this will not be covered under this warranty. Also charges may apply to any product returned which has no fault found or if the warranty has expired or been void.

This Warranty is also void if:

1. The warranty seal is broken or altered.
2. The warranty period has expired.
3. The product has been tampered with or repaired by an unauthorised person.
4. If the product has been dropped or damaged due to impact.

Our goods come with guarantees that cannot be excluded under the Australian Consumer Law. You are entitled to a replacement or refund for a major failure and compensation for any other reasonably foreseeable loss or damage. You are also entitled to have the goods repaired or replaced if the goods fail to be of acceptable quality and the failure does not amount to a major failure. For New Zealand customers, this warranty is in addition to statutory rights observed under New Zealand legislation.

For all other countries, please visit www.ozcharge.com.au for details regarding obtaining warranty service.

