

**SLINGSHOT
PROFESSIONAL
COFFEE GRINDER**
ORIGINAL INSTRUCTION USER HANDBOOK

Models **S64 S75 C68**



INDEX

Page 3

Precautions and Safety Features
Application and use of the Grinder

Page 5

General Description

Page 6

Initial Setup
Adjusting the Fork-Portafilter

Page 7

Using the Grinder

Page 8

Function Selector

- Auto Mode
- On Demand
- Burrs Life

Ready to Start

Page 9

Dispensing the Coffee in the Portafilter

Page 10

Adjusting the Grind
Adjustable Grinding Scale
Adjusting the Dosage
Grinding Time Delay

Page 11

Safety Devices

Page 12

Cleaning and Maintenance

Page 18

Trouble Shooting

PRECAUTIONS AND SAFETY FEATURES

The packing materials (carton, cellophane, staples, polystyrene, etc..) can cut, wound or create hazards if used improperly or handled carelessly. Store such materials out of reach of children and irresponsible persons.

This symbol on the appliance or package means that the appliance must not be considered as normal household refuse but that it must instead be delivered to an appropriate collection centre for the recycling of electric and electronic appliances.



Read this manual from cover to cover before using the appliance as it contains important instructions for the safety, operation and maintenance of the appliance. Look after this manual and keep it in a safe place.



DISPOSAL OF THE UNIT

At the end of its service life, this product cannot be disposed of in normal domestic waste. The symbol on the product and in the operating instructions point out to this fact. The materials are recyclable according to your marking. With the reuse, recycling or other forms of recycling of old equipment, you make an important contribution to the protection of our environment. Please ask your municipal administration for the disposal point.



The manufacturer reserves the right to make changes to the product and to the manual. The company cannot be held liable for any damage to people or property resulting from failure to respect the instructions concerning safety, installation and maintenance contained in this manual. Before connecting the machine, check that voltage and frequency values of the supply mains correspond to the ratings indicated on the label featuring the grinder's technical data.



IT IS COMPULSORY TO EARTH THE APPLIANCE.

Avoid use of multiple-plug adapters and extension cords or makeshift connections.



The Coffee Grinder must be installed only by authorised, qualified personnel.

THE COFFEE BEANS HOPPER MUST BE PLACED ON THE APPLIANCE AND PROPERLY FIXED WITH THE APPROPRIATE SCREW.

If the thermal breaker to protect the motor is triggered, do not attempt any other manoeuvre. Unplug the machine from the power mains and make sure that any problems have been solved before switching the machine on again.

It is essential to check the state of the supply cable and plug periodically.

IN THE EVENT THE SUPPLY CABLE OR PLUG ARE DAMAGED, CALL IN SKILLED TECHNICAL PERSONNEL TO REPLACE THEM, THIS TO PREVENT ANY RISK.

ELECTRICAL INSTALLATION RULE (S64, S75, C68)

Prior to installation, make sure there is a circuit breaker installed with a distance between the contacts that allows for complete disconnection when there is a category III overload and that provides protection against current leakage equal or less than to 30 mA. The circuit breaker must be installed on the power supply in compliance with installation rules.



If the power supply is not working properly, the machine can cause transitory voltage drops. The electrical safety of this machine is only ensured when it is correctly connected to an efficient earthing system in compliance with the electrical safety laws in force. This fundamental safety requirement must be verified. If in doubt, request that a qualified electrician inspect the system. The manufacturer cannot be held responsible for any damage caused by the lack of an earthing system on the electrical supply.

It is inadvisable to use adaptors, multiple plugs, and/or extension cords. If their use is indispensable, only use simple or multiple adaptor plugs and extension cords that are in compliance with safety laws. Make sure these devices do not exceed the voltage capacity marked on the simple adaptor and on extension cords, and the maximum voltage marked on the multiple adaptor.

APPLICATION AND USE OF THE GRINDER

This coffee grinder has been designed only for grinding roasted coffee beans. Any other use is understood to be improper, and therefore hazardous.

OPERATING RANGE OF THE MOTOR

10s ON for 2 times / 60s OFF point out an allowed duty cycle of 10 seconds switched on for 2 times and 60 seconds switched off.

The manufacturer cannot be held responsible for any damage as a result of improper or incorrect use.

THIS COFFEE GRINDER HAS BEEN DESIGNED ONLY FOR PROFESSIONAL USE BY TRAINED PERSONNEL AND NOT FOR HOUSEHOLD USE.



The user must be an adult. Do not allow children or incapable persons to use this coffee grinder. Children should be supervised to ensure that they do not play with the appliance.

The instructions concerning persons (including children) with reduced physical, sensory or mental capabilities or lack of experience and knowledge and children playing with the appliance are not applicable.

The grinder is intended to be used for commercial applications, for example in kitchens of restaurants, canteens, hospitals and in commercial enterprises such as bakeries, but not for continuous mass production of ground coffee.

This appliance is to be connected with flexible connections for equipotential bonding and connection to services such as electricity supply, water supply, gas supply and steam supply such that the appliance can be moved in the direction required for cleaning a distance not less than the dimension of the appliance in the direction of movement plus 500 mm without the flexible connections becoming taut or being subject to strain.

WARNING:

Installation, dismantling, and adjustments must only be performed by qualified and authorised technicians.

Carefully read the warnings and rules in this manual because they provide important information regarding safe installation, use and maintenance of the machine.

Keep this booklet handy for easy reference.

After removing the machine from its packing materials, make sure that the machine and its safety devices are intact.

If the power supply cord is damaged, it can only be replaced by qualified and authorised technicians. (S64, S75, C68)

Packing materials (plastic bags, polystyrene foam, staples, etc.) must be kept out of the reach of children because they are potentially hazardous.

Before plugging in the machine, make sure that the information on the nameplate (voltage, etc.) matches that of the electrical and water systems.

Completely unwind the power supply cable.

The coffee grinder should sit on a flat, stable surface at least 20 mm from walls and from the counter.

Room temperature must range between 10 C and 32 C (50 F and 90 F).

Do not install in rooms (kitchens) that are cleaned with jets of water.

Do not clean the machine with jets of water.

Do not obstruct openings or ventilation and heat vents.

Do not install the machine outdoors.



Fig. A

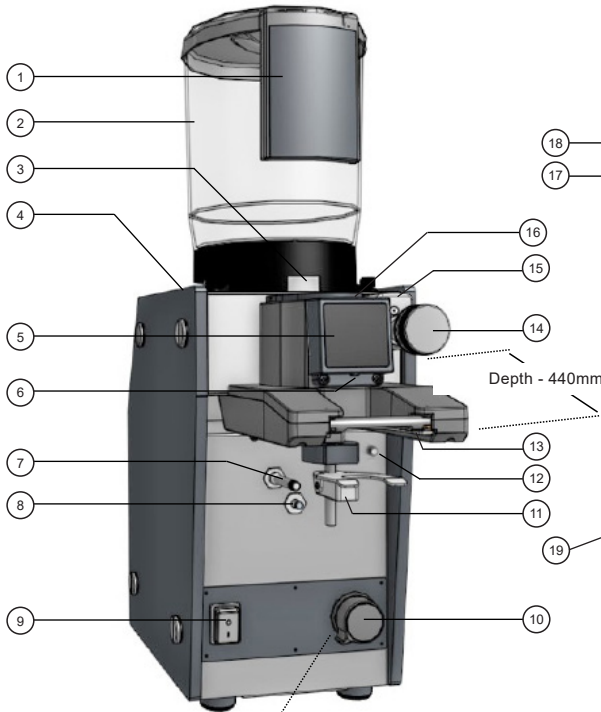


Fig. B

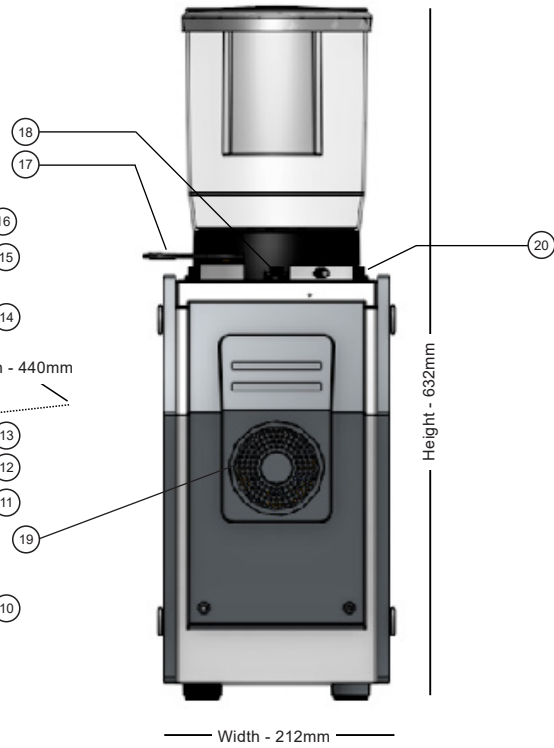
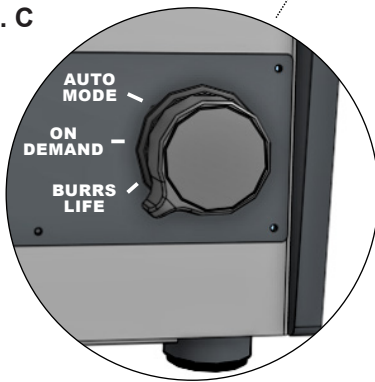


Fig. C



General Description

- 1. Display Window - Hopper Lid
- 2. Coffee Bean Hopper
- 3. Adjustable Scale
- 4. Side Panels
- 5. Digital Display
- 6. LED Light
- 7. Single Dosage Adjustment
- 8. Double Dosage Adjustment
- 9. Main Power Switch
- 10. Function Selector
- 11. Fork Portafilter
- 12. Doser Locking Screw
- 13. Sliding Gate
- 14. Grinding Adjustment
- 15. Position Counter
- 16. Push Button
- 17. Open/Close Coffee Bean Hopper
- 18. Coffee Hopper Screw Holder
- 19. Extractor Fan
- 20. Adjustment Scale Knob

| MODEL | S64 | S75 | C68 |
|---------------------------|-----------|-----------|--------------|
| Volts (V) | 220-240V | 220-240V | 220-240V |
| Frequency (Hz) | 50-60Hz | 50-60Hz | 50-60Hz |
| Power (W) | 380-460W | 450-570W | 450-570W |
| Revolution per min. (rpm) | 1215-1458 | 750-900 | 450-540 |
| Burrs type/size | Flat 64mm | Flat 75mm | Conical 68mm |
| Noise level (dba) | 85 | 87 | 87 |
| Weight (kg) | 19.5kg | 23.5kg | 23.5kg |

INITIAL SETUP

The Slingshot features a **unique volumetric self-dosing chamber** which is always on standby to provide the professional barista with their next shot of espresso. To be able to perform at its optimum an initial setup is required.



ADJUSTING THE FORK PORTAFILTER

Before you start using the grinder, you will need to adjust the height of the Fork-portafilter. Slingshot can accommodate any type and brand of portafilter thanks to its patented spring-loaded support system. The height of the portafilter can vary from 36 to 48 mm, 54mm or 57-58 mm basket diameter.

- (A) Using the appropriate tool, untighten the screw that holds the Fork
- (B) Insert the Portafilter
- (C) Lift up the Fork (11) until the top of the portafilter is attached to the sliding gate
- (D) Re-tighten screw making sure that the top of the portafilter stays flush against the sliding gate

Fig. D

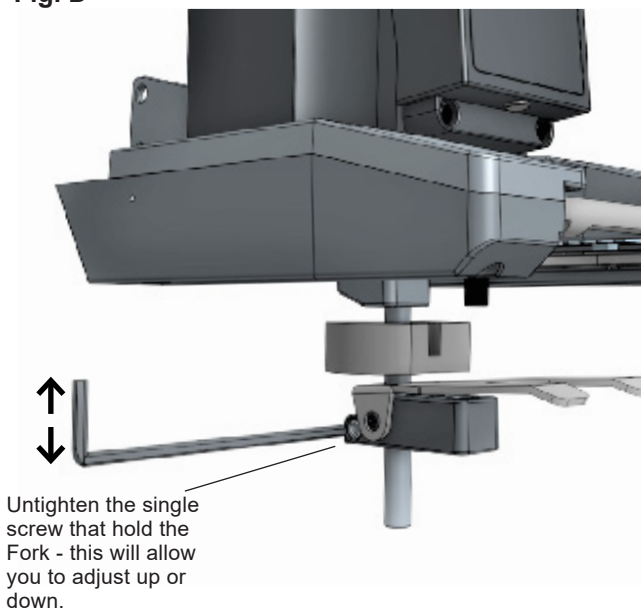
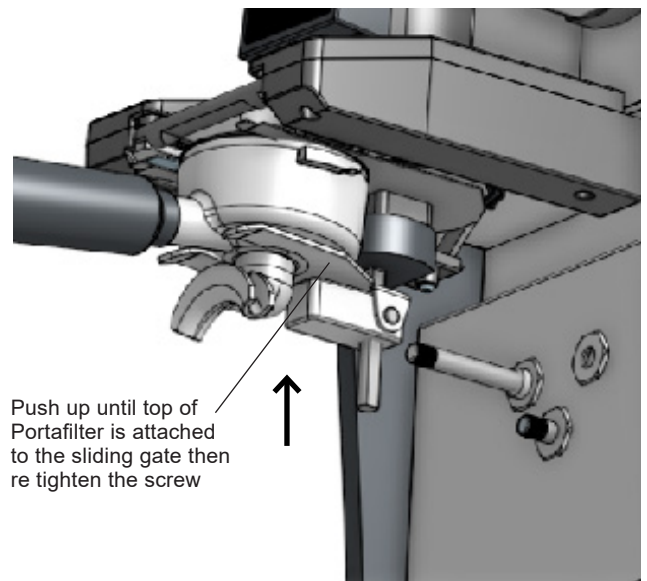


Fig. E



Note: To test if Portafilter has been set up correctly, push down on the center of the portafilter when locked in. If done correctly, there should be no movement.

NOTE: To be able to deliver the correct coffee dose, the portafilter top edge must always be in contact with the stainless steel sliding gate. Once set in position, push the portafilter towards the grinder until it stops then pull the portafilter back out making sure that it moves smoothly.



USING THE GRINDER

Before you start using the grinder, It is important to understand the information displayed: Fig. F shows all the available information displayed, and the functionality of the press button.

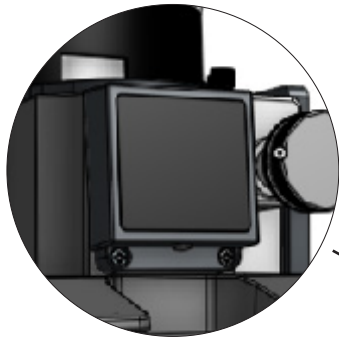
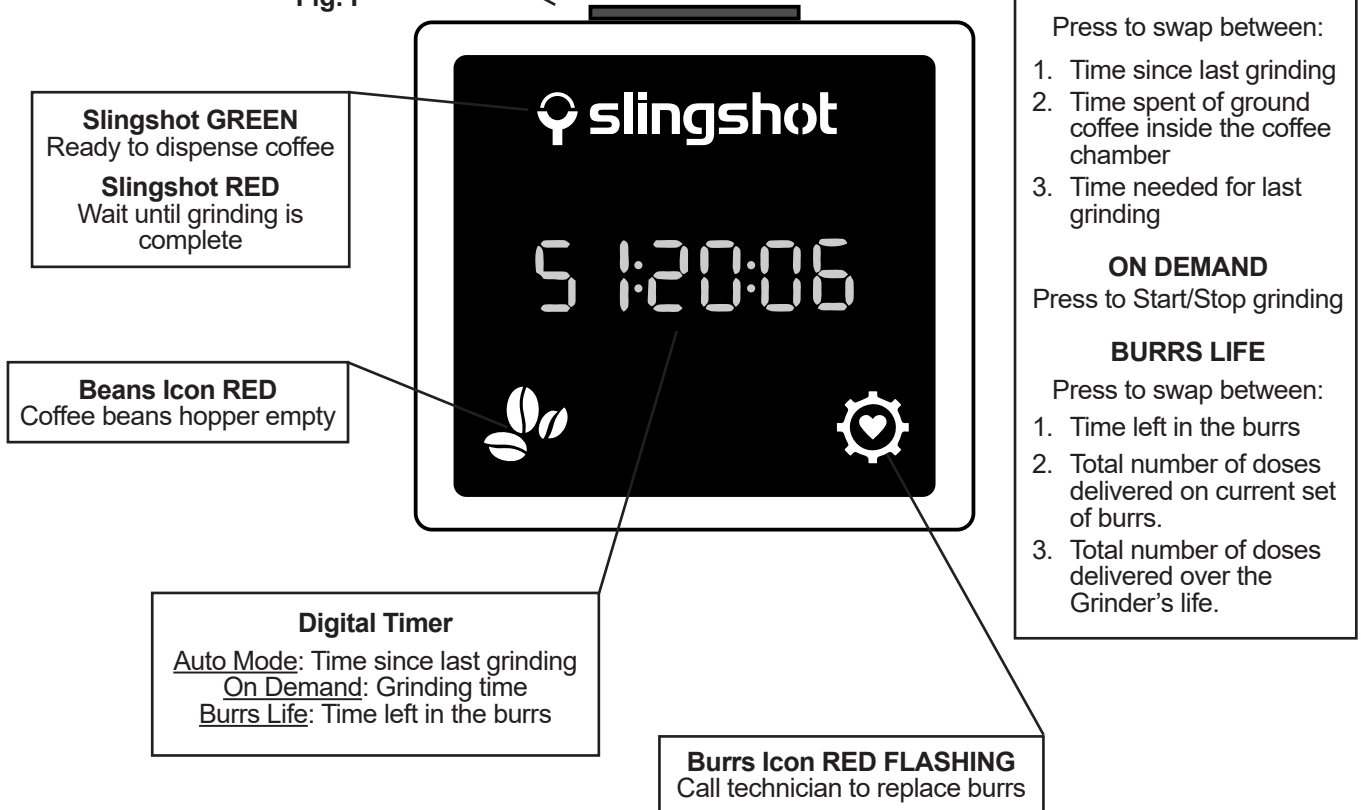


Fig. F

REAL TIME COFFEE MATURATION

In AUTO MODE the display will show the time since last grinding coffee in between the burrs (tail of the coffee) and if you press the top button once the display will show the total resting time of the ground coffee in the coffee chamber (head of the coffee).

This information will help the Barista to determine when the coffee is at its best.



NOTE: THE COFFEE BEAN ICON WILL ONLY LIGHT UP WHEN COFFEE BEAN HOPPER IS EMPTY. THE BURRS LIFE ICON WILL ONLY LIGHT UP WHEN THE BURRS NEED REPLACING.

To reset the Coffee Beans icon: Fill up coffee beans hopper with fresh coffee beans then press the top button.

Only an authorised technician can reset the Burrs Life icon after replacing the old burrs with new ones.



FUNCTION SELECTOR

Slingshot features a Function Selector (Fig.C) that allows the user to set the grinder in three different modes: AUTO MODE, ON DEMAND and BURRS LIFE.

AUTO MODE

The grinder will always grind for the next shot. Use this function during the busy service.

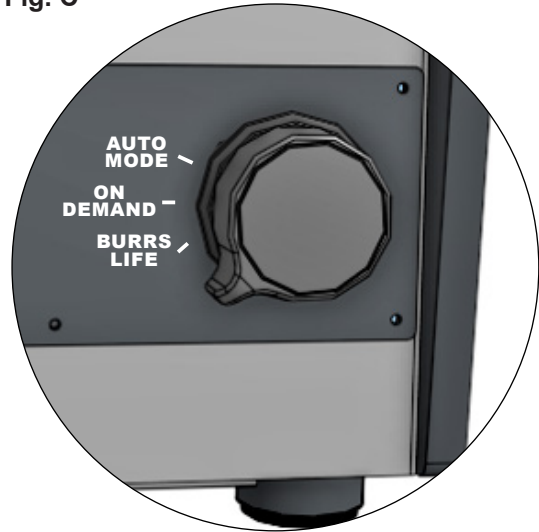
ON DEMAND

The grinder will grind only when you press the Push Button. Use this function during slow service or for calibration purposes.

BURRS LIFE

When the Function Selector (Fig. C) is set on BURRS LIFE the coffee grinder wont operate and the digital display will show the number of grinding hours left before changing the burrs. When the display reaches 3 hours of grinding left, the burrs life icon in the screen (Fig. F) will start flashing. This will warn the user to call the technician to change the burrs.

Fig. C



READY TO START

- 1) **Fill the Hopper** with fresh coffee beans (max. capacity is approx. 1.2kg).
- 2) **Open the Hopper Slide.**
- 3) Position the **Function Selector** to **ON DEMAND**
- 4) **Turn the ON/OFF switch ON.** Switch will light up indicating Grinder is ready for use.

NOTE: To familiarise yourself with the grinder and to adjust (calibrate) both the coffee grind size (coarser or finer) and dosage, we advise to select the ON DEMAND function.

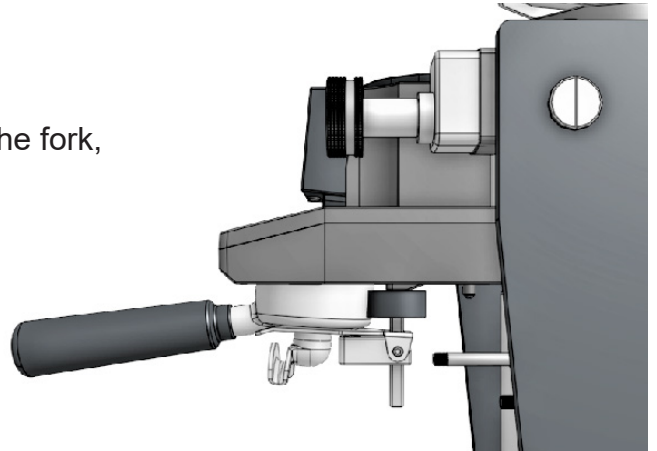
When ON DEMAND mode, each time you press the button, the grinder will grind until the coffee ground chamber is full (approximately 30g of ground coffee).



DISPENSING THE COFFEE IN THE PORTAFILTER

Slingshot's unique self-dosing coffee chamber delivers the desired coffee dosage directly into the portafilter:

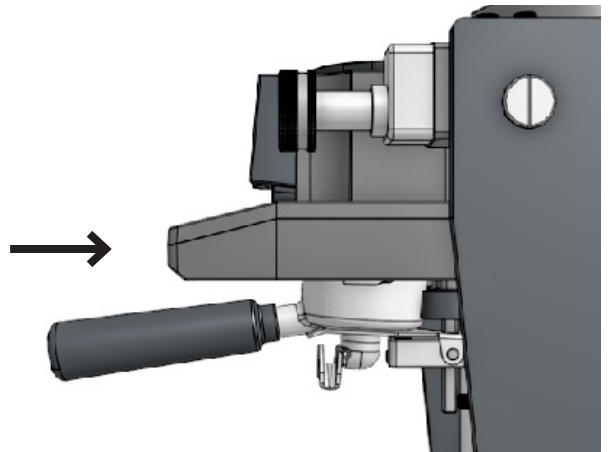
1 Insert the portafilter straight between the fork, then start to push towards the grinder.



2 Push the portafilter gently until it stops.



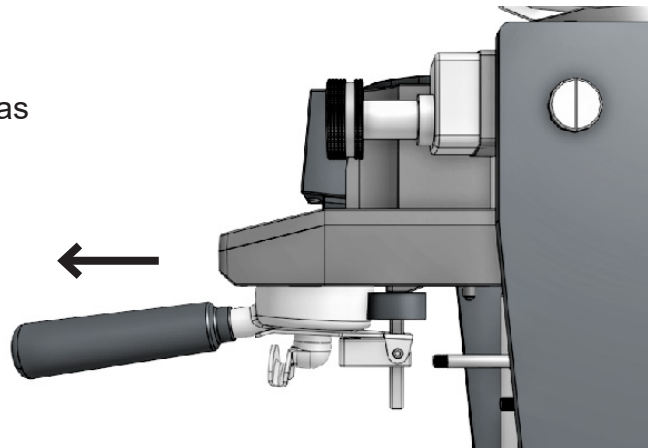
NOTE: The portafilter will stop once it has reached the dosage rods



3 Pull back the portafilter. The dosage has been delivered.



NOTE: You must not wait with the portafilter inserted all the way. Pull it back as soon as it has completed its travel.



ADJUSTING THE GRIND

To adjust grinding fineness, it is necessary to use the knob (**Fig. G1**), turning it clockwise for finer grinding or anti-clockwise for a coarser grind.

Each complete turn of the digital position counter will increase/decrease by 10.

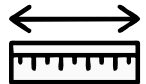
Please consider that the coffee ground chamber may hold up to 35 grams of coffee grounds, after changing the coffee grinding size it is necessary to dispense a minimum of 3 double doses before the new grinding setting can be used.



ADJUSTABLE GRINDING SCALE

Once the Barista has adjusted the Slingshot to the perfect espresso shot, the main grinding scale (Fig. A3) is reset to the Absolute Zero. This adjustable point of reference facilitates coffee grinding calibration throughout the day.

To be able to reset the grinding scale unlock the adjustment scale knob (Fig. B18) and reset the scale to the "0".



ADJUSTING THE DOSAGE

To adjust the coffee dosage delivered into the portafilter:

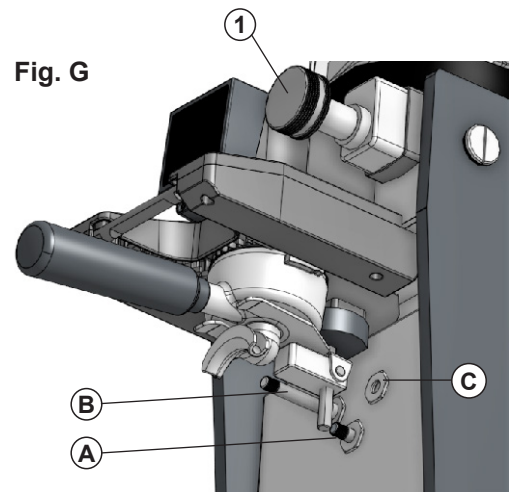
Turn the metal rods located under the doser **CLOCKWISE** (for more coffee) or **ANTI-CLOCKWISE** (for less coffee)

To adjust for a double portafilter use **ROD A**

To adjust for a single portafilter use **ROD B**.

NOTE: The quantity of coffee dosed is directly related to the **SIZE** of your portafilter basket.

Ensure that the basket size you are using is appropriate for your needs.



GRINDING TIME DELAY

When in **AUTO MODE** the grinder will start grinding for a new coffee dose as soon as you have inserted the portafilter. It is possible to program a time delay for retarding the start of the grinding. This will improve dosage consistency, especially for the beginner.

When in **AUTO MODE** press and hold the top button until the display shows a single digit number (time delay in seconds). Press the button to increase the time delay (from 0 seconds to a max of 5 seconds). Once you have set the desired time delay, wait until display goes back to the normal **AUTO MODE**.

NOTE: To be able to recognise the single portafilter, the single spout needs to be positioned in the left at a 90 degree angle in relation to the portafilter handle.

In the case where the single portafilter's spout is positioned on the right, unscrew **ROD B** completely and screw into location **C** (Fig. G)



THERMAL OVERLOAD PROTECTION

The appliance's motor is protected against overheating resulting from overload by a thermal overload protection which, when tripped, cuts off the power supply to the motor.

Should the protection trip as a result of anomalous operation, such as the grinding blades jamming, the appliance must be turned off using the on-off switch, **UNPLUGGED FROM THE MAINS, AND SKILLED TECHNICAL PERSONNEL CONTACTED. NEVER PERFORM ANY WORK ON THE APPLIANCE WHILE IT IS ATTACHED TO THE MAINS, TO AVOID THE RISK THAT MOTOR TURNS ON SUDDENLY.**

If the appliance overheats as a result of the motor stopping, allow the appliance to cool down before performing any repair work.



MOTORSAFETY MICROSWITCH

There is a system that protects against accidental contact with the rotating parts of the grinder consisting of a micro-switch. Situated under the body of the grinder, the micro-switch will cut electricity to the motor if the coffee hopper is not properly positioned in place.

The push button that controls this device is operated by the back screw (Fig. B16) that holds the coffee hopper. If the hopper is removed or not properly in place, the micro-switch prevents the grinder from working.



WARNINGS REGARDING SAFETY

This electrical appliance must be used in conformity with the rules in force governing safe operation.

When operating the appliance, beware of the moving mechanical parts' in the area of the grinding blades and of the ground coffee outlet.

Before removing the hopper from the grinding system, disconnect the power supply.

Avoid removing foreign bodies from the grinding system or hopper without first unplugging the appliance from the mains.

The user is not authorised to remove screws or any parts screwed onto the coffee grinder.

In the event the appliance is not working properly or is faulty, contact skilled technical personnel, and do not attempt to make repairs yourself.

Before performing any work on the appliance, including cleaning and/or maintenance, disconnect it from the power supply by unplugging. Turning off the grinder using its master switch does not assure the same conditions of safety.

The operator must be aware of the sharpness of the blades-burrs and care is needed when handling cutting blades-burrs during cleaning.

Take care, as the grinding blades may continue rotating for a short while even after the appliance is switched off.

When the appliance is not in use, the appliance's power supply must be disconnected using its main switch.

Do not let liquids of any kind come into contact with the internal or external parts of the appliance.

Never put ground coffee in the hopper. Intended only for coffee beans.

The manufacturer cannot be held responsible for bodily injury or damage to property if these regulations are not complied with.



CLEANING THE GRINDER

DISCONNECT THE APPLIANCE’S POWER SUPPLY BY UNPLUGGING IT BEFORE CLEANING.
THE APPLIANCE MUST BE CLEANED PERIODICALLY BY SKILLED TECHNICAL PERSONNEL ONLY.

Use perfectly clean, disinfected cloths or brushes for cleaning.
Do not use abrasive products as these are liable to take the sheen off shiny parts.

COFFEE HOPPER

Wash the coffee hopper once it has been removed from the appliance, using neutral soap and water, rinse abundantly with lukewarm water and dry thoroughly.

It is advisable to clean the hopper periodically. Once the hopper has been cleaned it must be put back on the appliance properly, fixing it with the relevant screws.

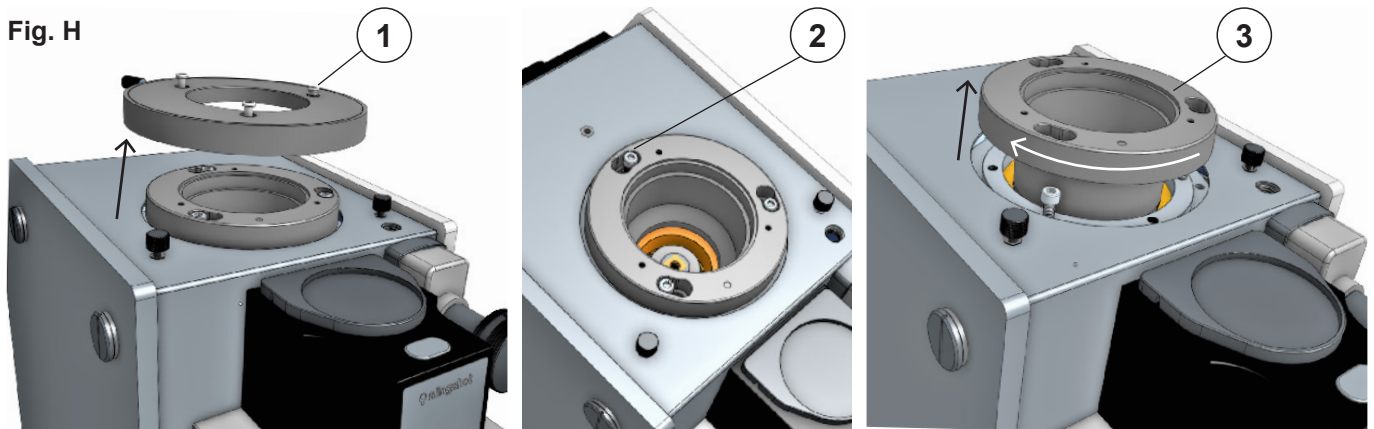
GRINDING SYSTEM

After removing the coffee hopper:

Step 1: Unscrew the 3 screws (Fig. H1) that hold the adjustable grinding scale, lift and remove.

Step 2: Slightly loosen the screws that hold the top burr (Fig. H2)

Step 3: Twist and lift the top burr holder (Fig. H3) to remove.



Having removed the upper grinding burr holder, clean the grinding burrs and the entire grinding chamber thoroughly using a **clean brush and cloth**.

When finished the cleaning, reassemble following the steps from 3 to 1.

MIXING CHAMBER

Having discharged the ground coffee, clean the coffee ground mixing chamber with a clean brush, expelling the material removed by pushing the sliding gate.

When a more thorough cleaning is required, the operation must be performed only by skilled authorised technical personnel.

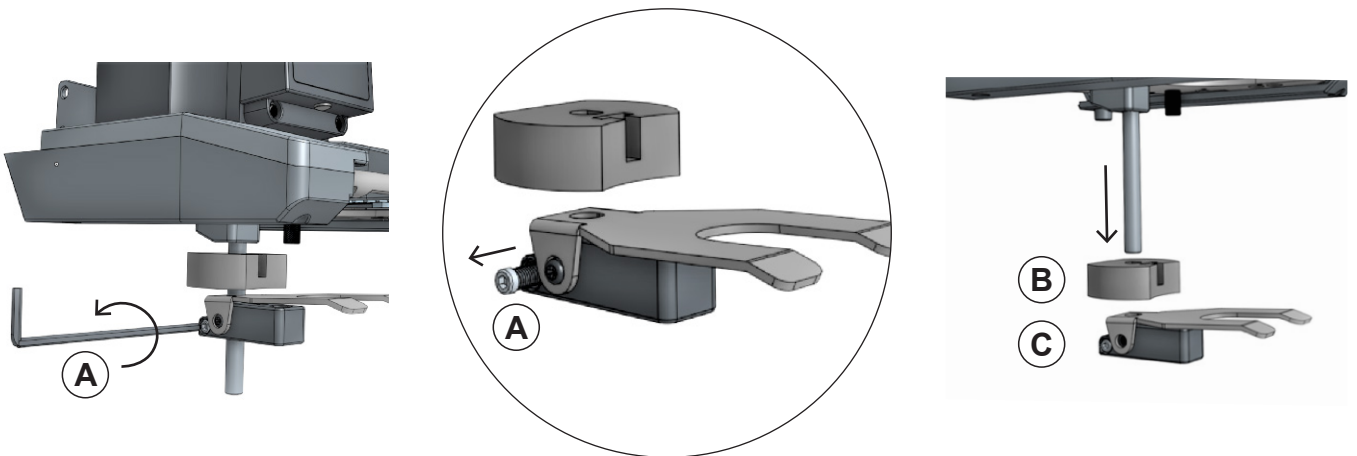
DISASSEMBLING THE DOSAGE MECHANISM

Before starting, ensure that the following has been done:

- Ensure that the grinder has been completely turned off. Disconnect from the appliance's power supply.
- Empty the hopper and ensure that all coffee has been removed from the mixing chamber.
- Carefully place the grinder on its back

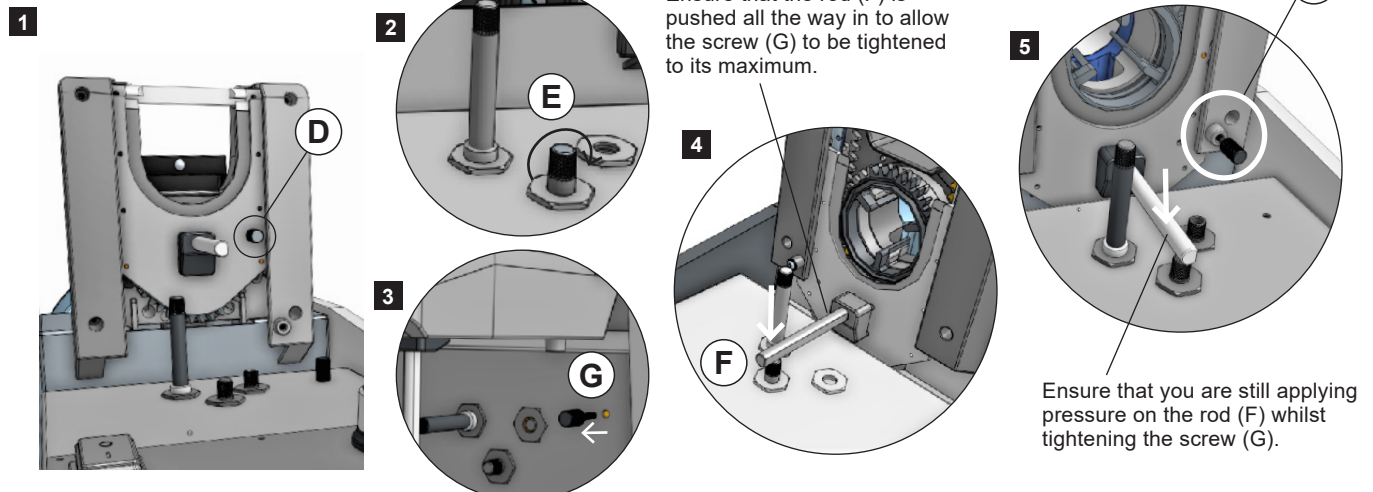
Step 1

- Using the appropriate tool, slightly loosen the **single screw (A)** clamping the back of the Fork Portafilter.
- Once loosened, slide off the Fork Portafilter (B) and Rubber Adaptor (C) from the Portafilter Rod.



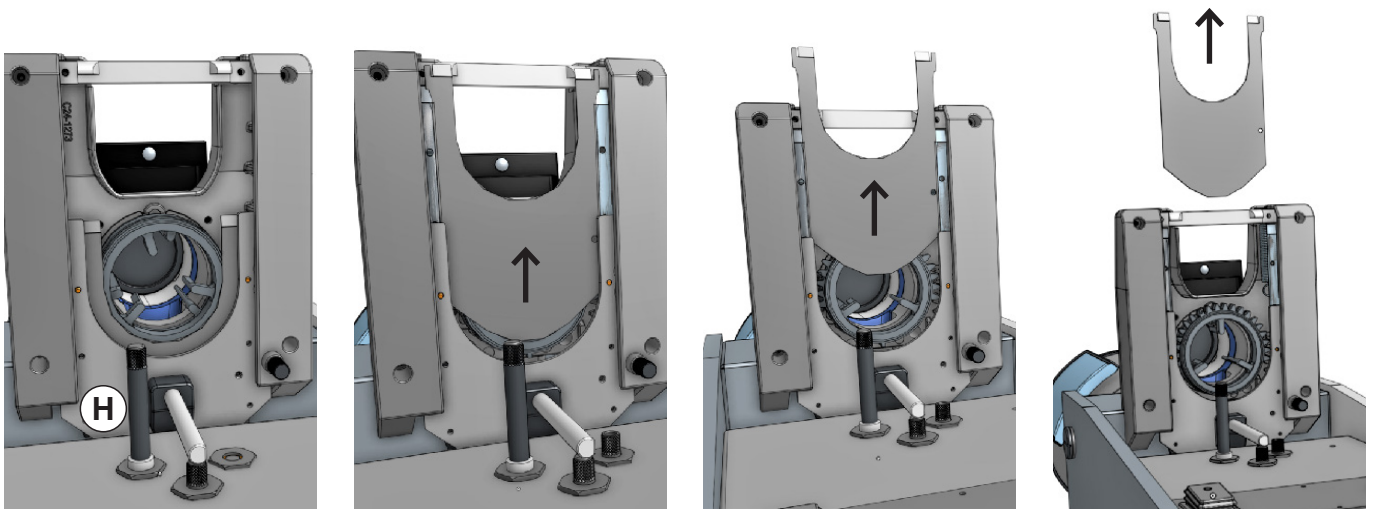
Step 2

1. Using your fingers, remove completely the screw on the Sliding Gate (D) and store safely.
2. Rotate the Double Dosage Adjustment Rod (E) **CLOCKWISE** until you've reached its maximum.
3. Using your fingers, remove completely the Doser Locking Screw (G).
4. Using your hand, push the Portafilter Rod (F) all the way in.
5. Using your other hand insert and tighten Doser Locking Screw (G) into screwhole as shown. This will lock the plate in place.



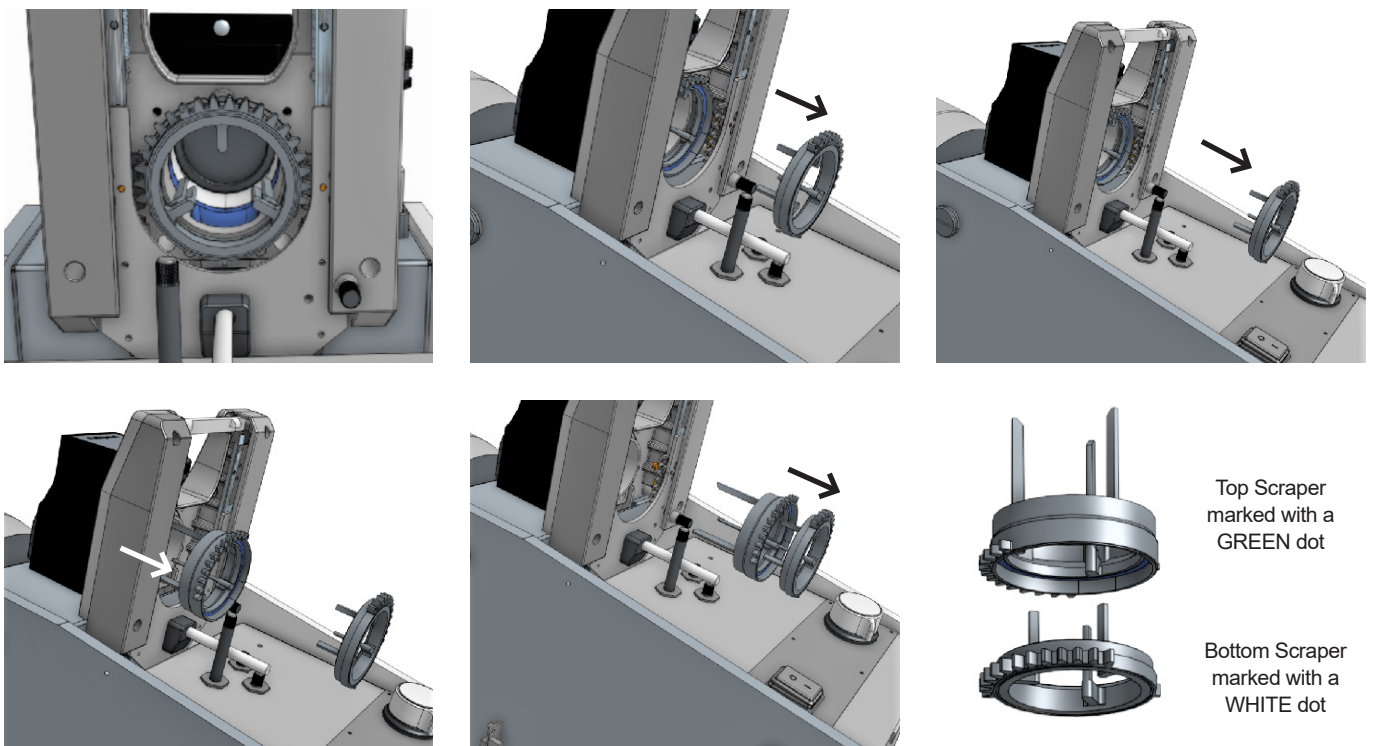
Step 3

- Using your fingers, carefully slide out the Sliding Plate (H).



Step 4

- Carefully remove the two scrapers for cleaning.



HOW TO CLEAN THE TWO SCRAPERS

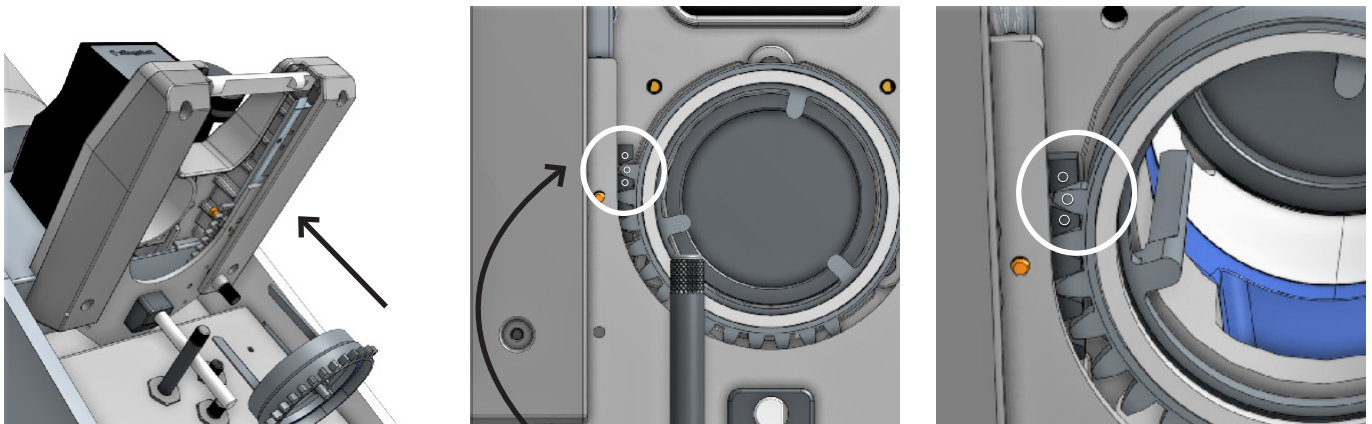
- Remove the felt seals and brush off any coffee grounds
- Brush off any coffee ground build up
- Using a mild soap and warm water, wash the scrapers to remove excess oils from coffee ground build up.
- Ensure that the scrapers are completely dry before attempting to reassemble.

REASSEMBLING THE DOSAGE MECHANISM

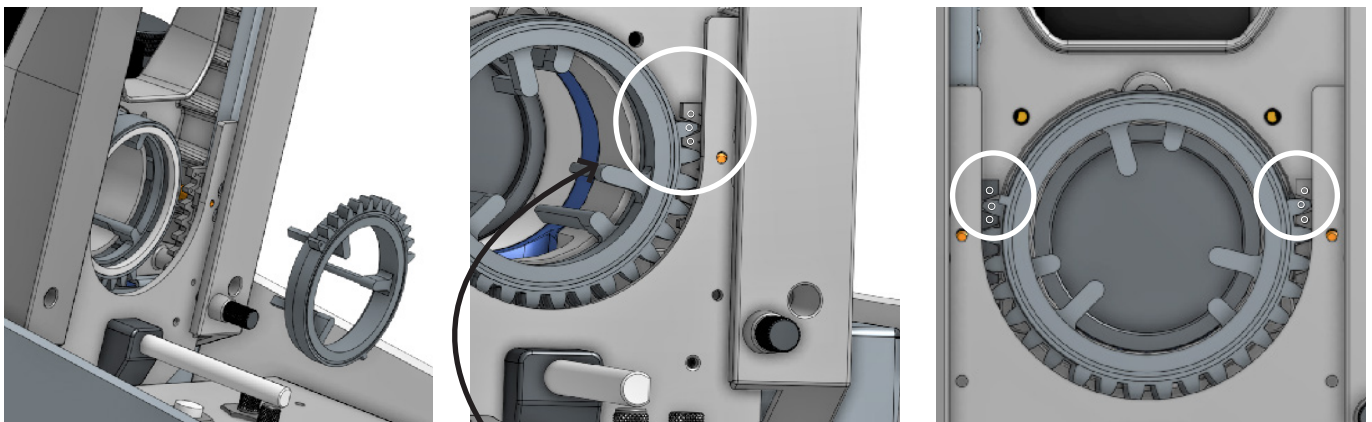
Once the two scrapers have been cleaned it is now time to reassemble the dosage mechanism.

Step 1

- Ensure that the felt seals are inserted back into the Upper Scraper.
- Reinsert the Upper Scraper making sure to align the teeth of the scraper to the correct gear rack (see below)
- Reinsert the Lower Scraper making sure to align the teeth of the scraper to the correct gear rack (see below)



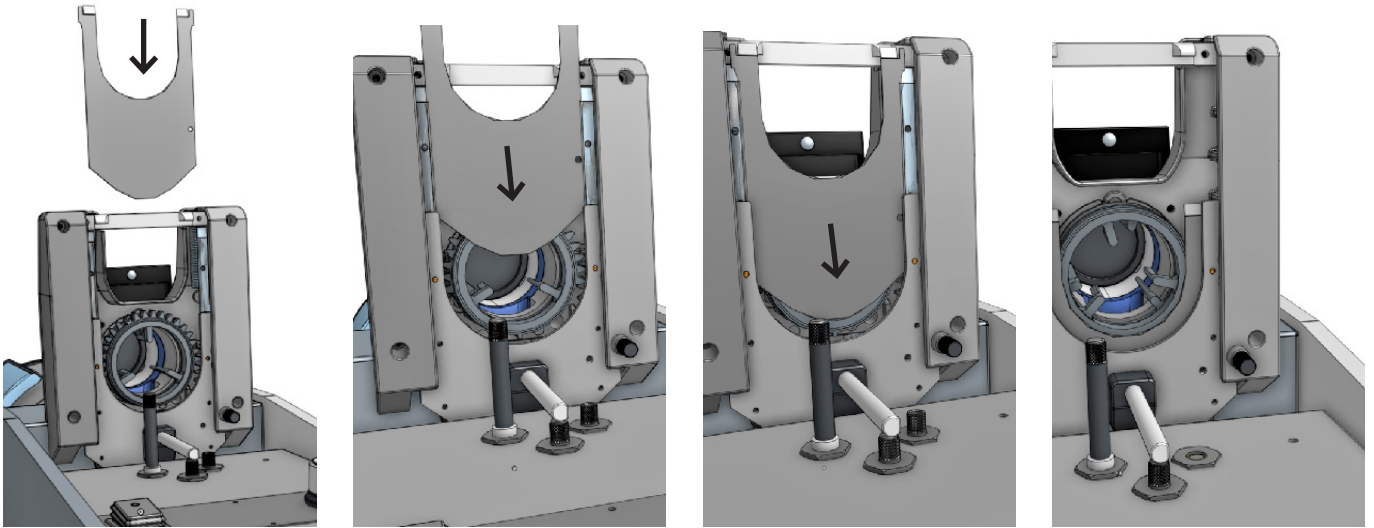
Ensure that the GREEN dots are correctly aligned as shown in the diagram.



Ensure that the WHITE dots are correctly aligned as shown in the diagram.

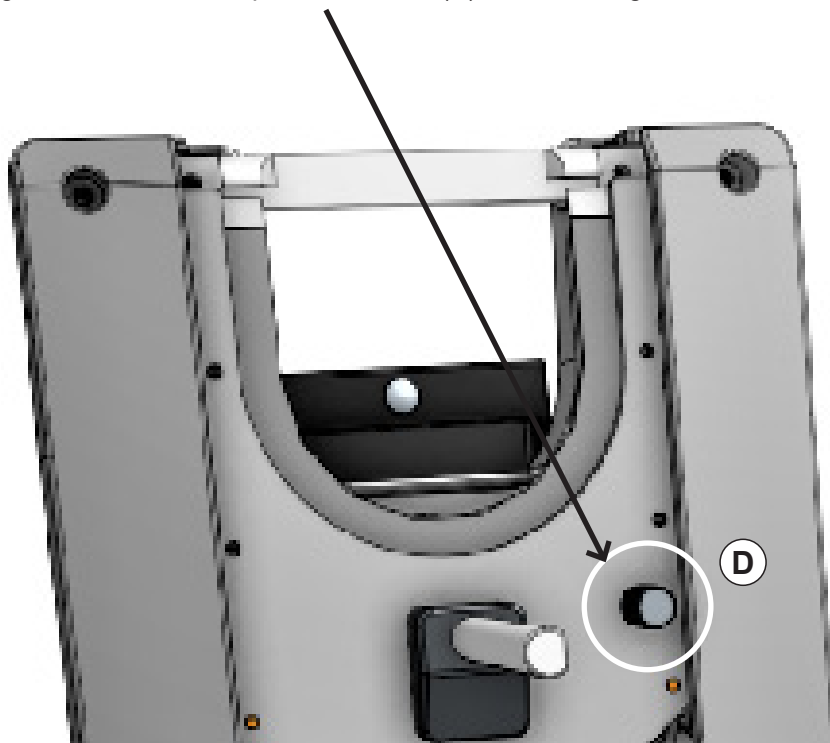
Step 2

- Slide the Sliding Plate back into place, ensuring that it's pushed all the way in.



Step 3

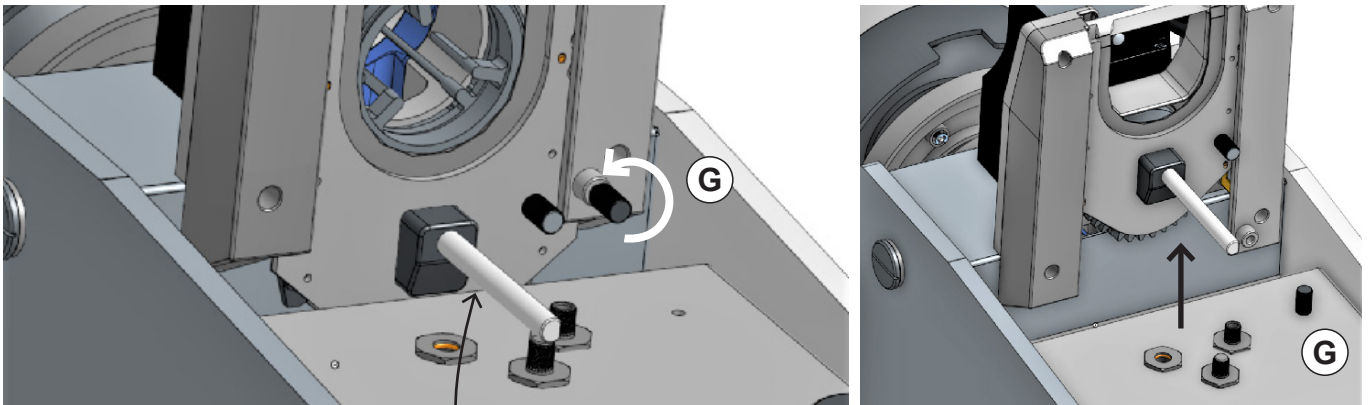
- Using your fingers, screw back into place the screw (D) for the Sliding Gate.



Step 4

Note: Sliding Plate is spring loaded. Be sure to exercise caution when performing this procedure.

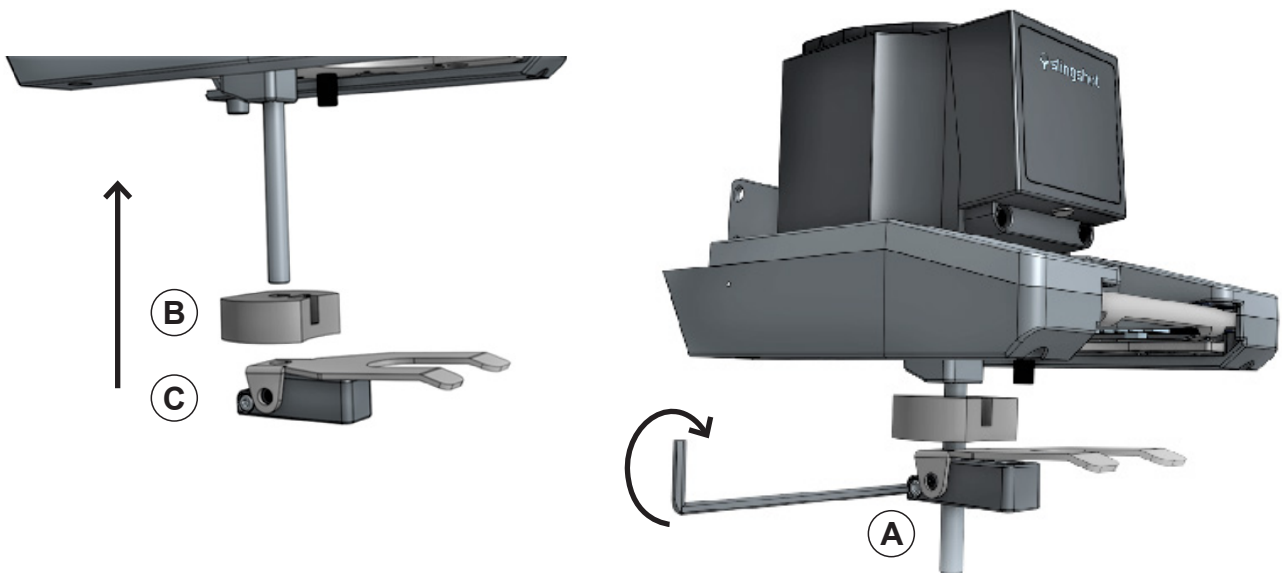
- Using one hand, keep applying pressure on the rod and continue to push it towards the body of the Grinder
- Using your other hand, slightly loosen the screw (G) until you feel the rod trying to spring back.
- Slowly release pressure on the rod to allow the Sliding Gate to spring back into position.
- Return Doser Locking Screw (G) back to its original position on the body of grinder.



Continue to push down on the rod until you feel the rod trying to spring back.

Step 5

- Put back both the Adaptor (B) and Portafilter Fork (C)
- Re-adjust the forks based on your Portafilter and refasten the screw (A) to lock in position.



Before requesting the technical assistance of the service centre, carry out the following checks:

| PROBLEM | POSSIBLE CAUSE | SOLUTION |
|---------------------------------------------------------|--------------------------------------------------------------------------------------------------------------------------------------------------------------------------------------------------------------------------------------------|--------------------------------------------------------------------------------------------------------------------------------------------------------------------------------------------------------------------------------------------------------------------------------------------------------------------------------------------------------------------------------------------|
| Grinder does not start after pressing START STOP button | <ul style="list-style-type: none"> Grinder not plugged in properly. Bean hopper not attached correctly Grinder has overheated. | <ul style="list-style-type: none"> Ensure plug is plugged into power outlet. Lock bean hopper into position ensuring that Safety Screw is screwed in. Remove power plug from power outlet. Leave for 20 minutes to cool down before using again. |
| Beans Icon flashing. | <ul style="list-style-type: none"> No coffee beans in hopper Hopper sliding gate is closed Grinder/bean hopper is blocked | <ul style="list-style-type: none"> Fill hopper with fresh coffee beans Ensure hopper gate is open |
| Digital Display not turning on | <ul style="list-style-type: none"> Grinder not switched on Grinder not plugged in correctly Hopper Safety Switch screw not screwed in all the way | <ul style="list-style-type: none"> Check that machine is correctly plugged in Ensure that the Coffee Hopper Screw is fastened all the way. |
| Not enough/too much coffee grind in portafilter | <ul style="list-style-type: none"> Dosage rods not correctly set up Portafilter not set up correctly Incorrect portafilter basket size Incorrect technique of dispensing coffee into portafilter | <ul style="list-style-type: none"> Refer to Adjusting the Dosage on page 10 Ensure Portafilter is adjusted correctly for use (refer to Adjusting the Fork Portafilter on page 6) Ensure portafilter basket size is appropriate for your espresso recipe Refer to Dispensing the coffee in the Portafilter on page 9 to ensure correct technique. |
| Inconsistent dosage | <ul style="list-style-type: none"> Portafilter not set up correctly Incorrect technique of dispensing coffee into portafilter | <ul style="list-style-type: none"> Ensure Portafilter is adjusted correctly for use (refer to Adjusting the Fork Portafilter on page 6) Refer to Dispensing the coffee in the Portafilter on page 9 to ensure correct technique. |
| Dosage Mechanism isn't operating smoothly | <ul style="list-style-type: none"> Portafilter not set up correctly Coffee grind build up | <ul style="list-style-type: none"> Ensure that portafilter is set up correctly (refer to Adjusting the Fork Portafilter on page 6) Clean dosage mechanism (refer to Disassembling of Dosage Mechanism on page 13) |
| Adjustment of grind (coarser/finer) not taking effect | <ul style="list-style-type: none"> Dosing chamber still contains coffee with pre-adjusted setting Adjustment on Position Counter not sufficient enough | <ul style="list-style-type: none"> Ensure that you have purged the grinder of any coffee that had been ground on the pre-existing setting (usually takes around 3 grind cycles). |

NOTE: If it is not possible to solve the problem as suggested, or if problems other than those described above occur, please contact an authorised technical service centre.



SLINGSHOT TECHNOLOGY CORPORATION LTD reserves the right to apply technical changes to the equipment should they become necessary, without advance notice.

In case of loss or damage of this Original Instruction Manual, user can download a PDF copy of the original instruction from www.slingshot.coffee/manual

EC Declaration of Conformity

The manufacturer:
Slingshot Technology Corporation Ltd
7/F Meyer Industrial Building , 2 Chong Yip Street, Kowloon , Hong Kong

declares that the product described is in conformity with the following European Directives: 2006/42/EC
and The EMC Directive:2014/30/EU

For verification of compliance with said directive, the following harmonized standards have been applied:

2006/42/EC Annex I
EN ISO 12100:2010
EN60204-1:2006+A1:2009/AC:2010

Product Name: Slingshot Coffee Grinder

Product Model: S64, S75, C68

Trade Mark: SLINGSHOT

AUTHORISED PERSON TO
COMPILE THE TECHNICAL FILE

Mr. Luca Giorgella
2/19 Rudloc Rd, Morley WA 6062
+61 1300 066 992

We guarantee that we will provide the authorised representative information before we export the machine to E.U.Responsible for making this declaration is the manufacturer.

A handwritten signature in black ink, appearing to read 'Luca Giorgella', with a stylized flourish at the end.

Luca Giorgella
Director R&D



ASIA

Slingshot Technology Corporation Ltd
7/F Meyer Industrial Building
2 Chong Yip Street, Kowloon. HK
+852 23438211

AUSTRALIA & NZ

Slingshot Technology Pty Ltd
2/19 Rudloc Rd
Morley WA 6062
+61 1300 066 992

EUROPE

Slingshot Europe
Via Industriale, 1
24040 Chignolo D'isola BG, Italy
+39 035 494 9555

USA & CANADA

info@slingshotamerica.com
+1-201-745-6765
