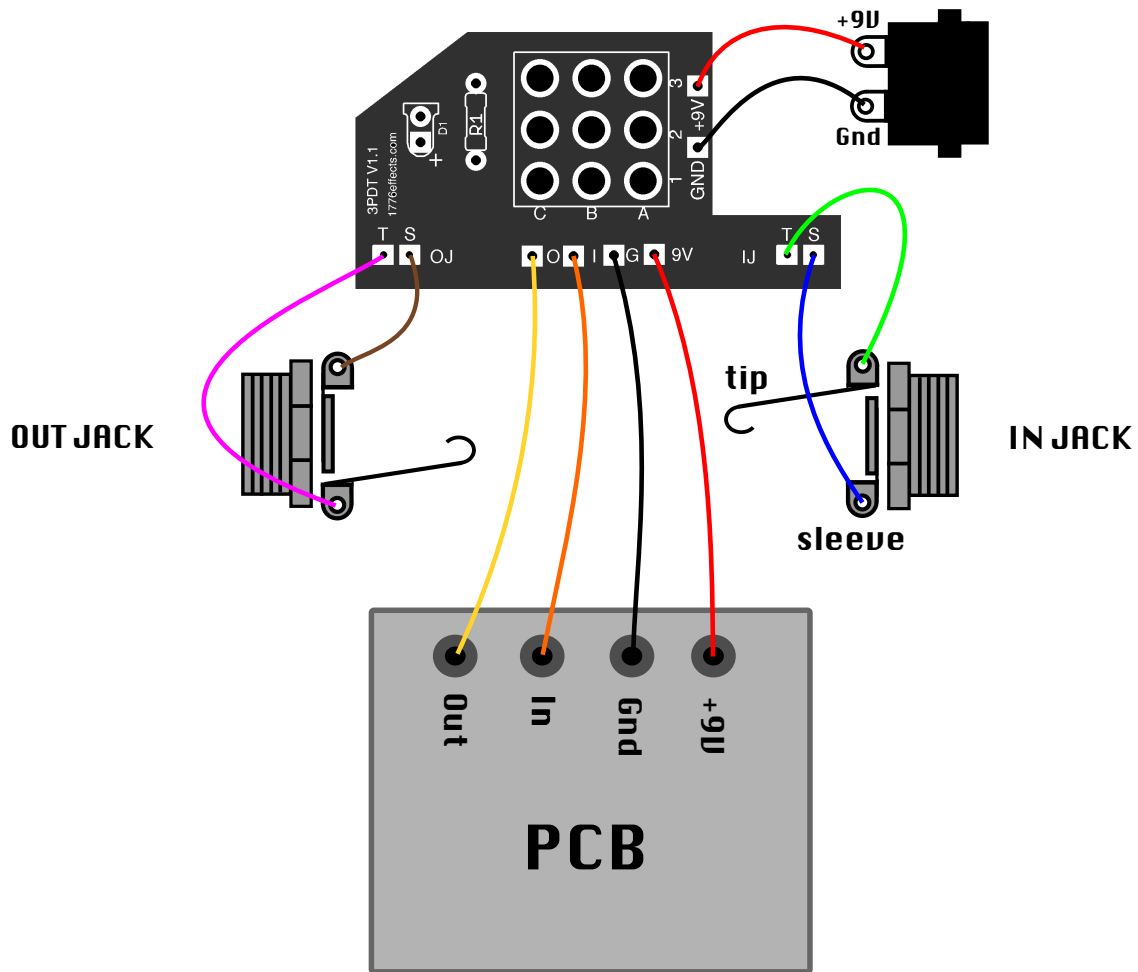


3PDT BREAKOUT BOARD



R1 - Current Limiting Resistor for LED

D1 - LED

Please note: This board was not designed to accommodate a battery.