

*Pimp My Office*

[www.pimpmyoffice.com.au](http://www.pimpmyoffice.com.au)



ONEFORM  
TECHNOLOGY

**PLANTER**

A - Patented one-form technology and ANSI-BIFMA X5.3-2007 certified

B - Adjustable floor levelers

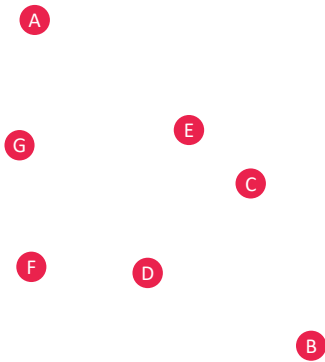
C - Interchangeable key lock and barrel system

D - Adjustable slotted shelves with ?? Capacity

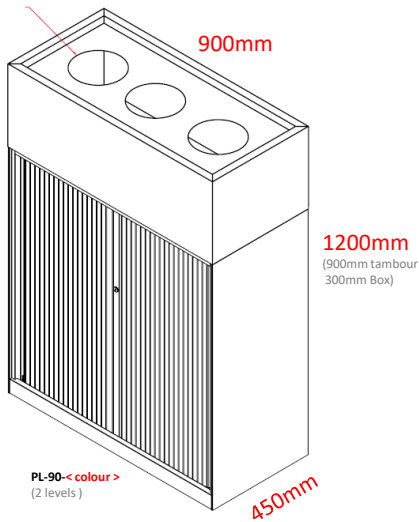
E - Fennel tambour door system with Aluminum slammer rails and magnetic strip

F - Environmentally friendly with 30% recycled raw material

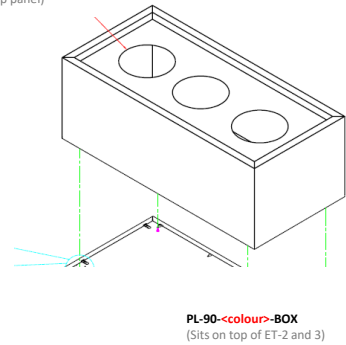
G – Subtle premium powder coat finish



3 x 200mm Dia cut outs  
For self watering pots  
(lift off top panel)



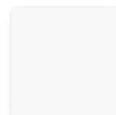
3 x 200mm Dia cut outs  
For self watering pots  
(lift off top panel)



**Options:**

- Specified Powder coat to full unit
- Melamine bench top
- Extra Shelves ( ET-SHELVES-<colour>.900W )
- Metal dividers to slot into shelves ( SD-WHITE/PSP )
- Pull out A4 file rack POF-9-BLK ( 1 ONLY ON PL-90 )

Premium power coat finish available stockexpress.®



PL-90-W  
( Pearl white )



PL-90-PSP  
( Preclus silver pearl )



PL-90-B  
( Satin black )

