

# Axis Table

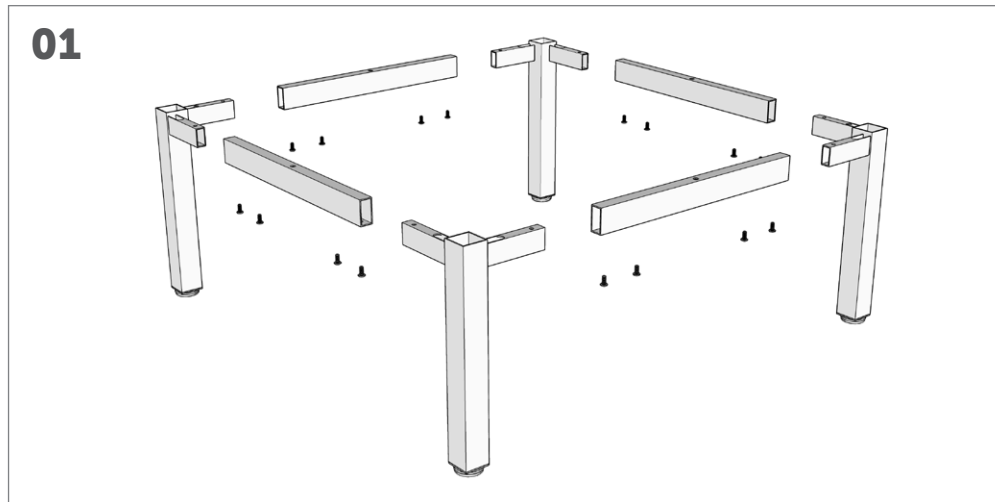
## Installation Guide

---

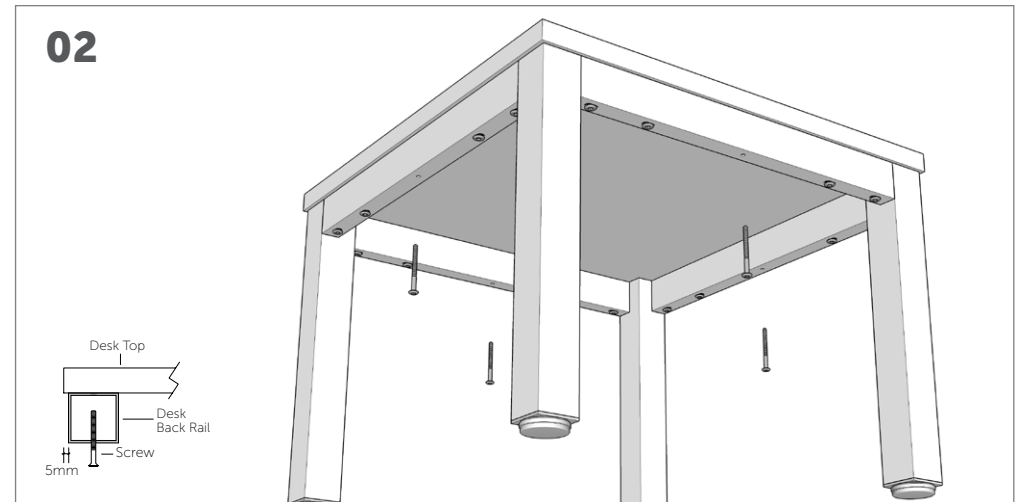
**TOOLS REQUIRED:** Powered screwdriver

# Axis Desking

## INSTALLATION GUIDE



Assemble frames and rails together, loosely (1 turn from tight).



Fix worksurface with 5mm overhang to frame, then fully tighten all rail to frame screws.

