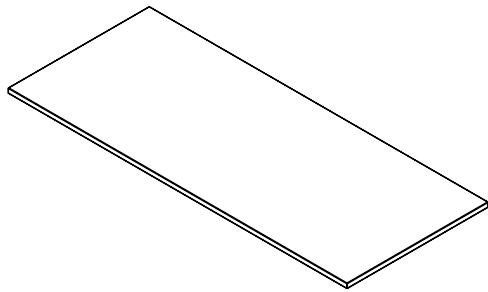


Axis Meeting Table

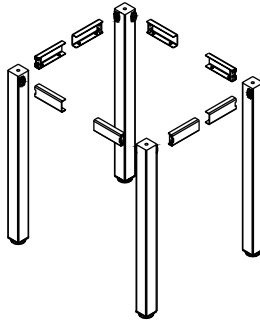
Assembly Instructions

Axis Meeting Table

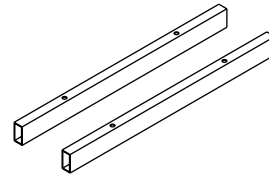
Assembly Instructions



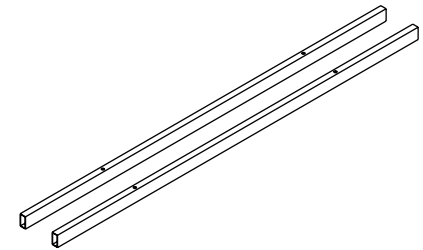
Axis Worktop



Axis 90° Corner Leg Set 4 KD



2 x Desk Rail



2 x Desk Rail



16 - M6 x 20

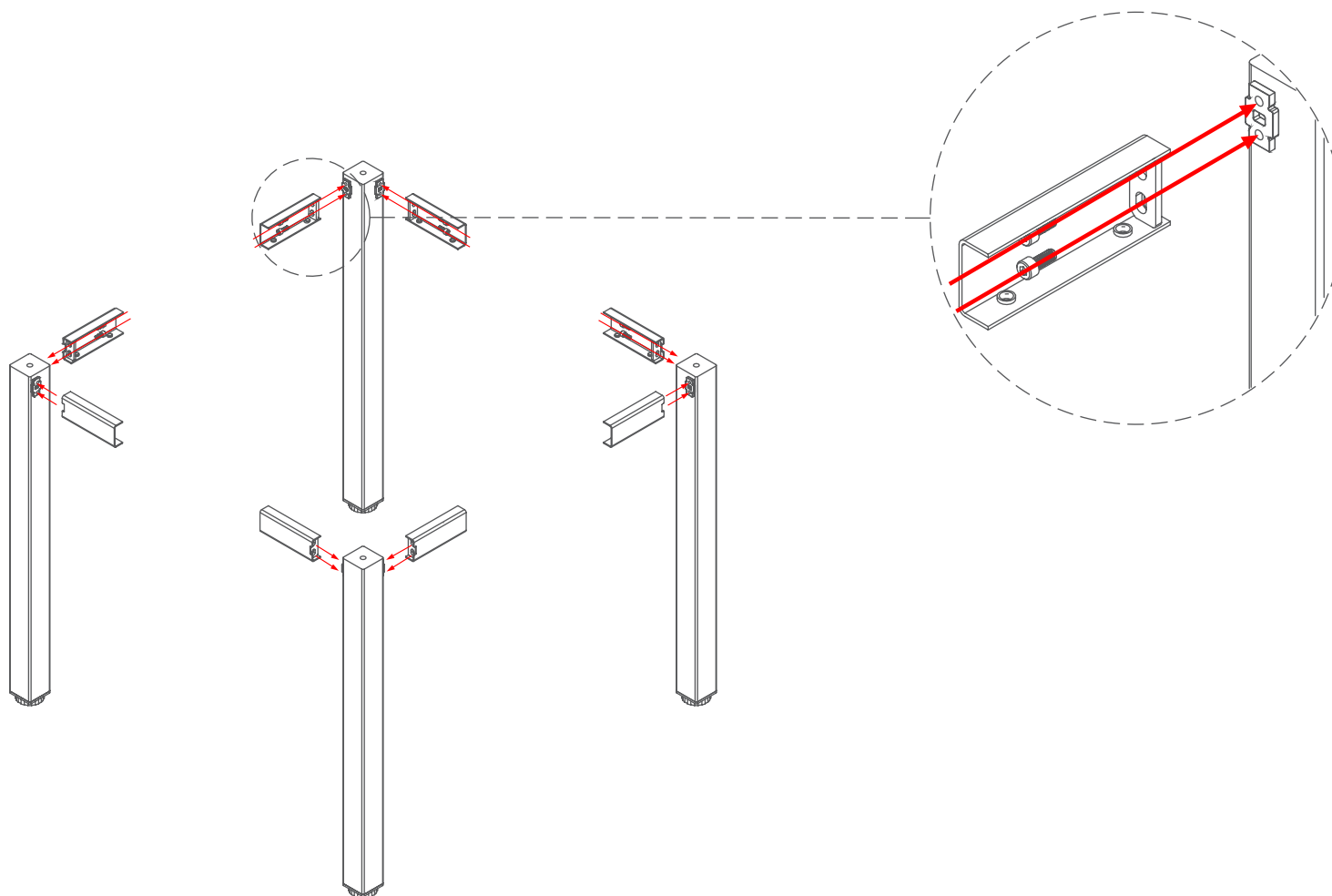
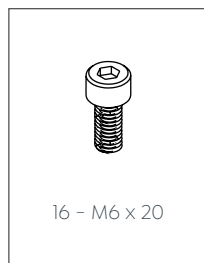


16 - M8 x 16



8 - ST5 x 70

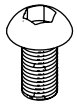
STEP 1:



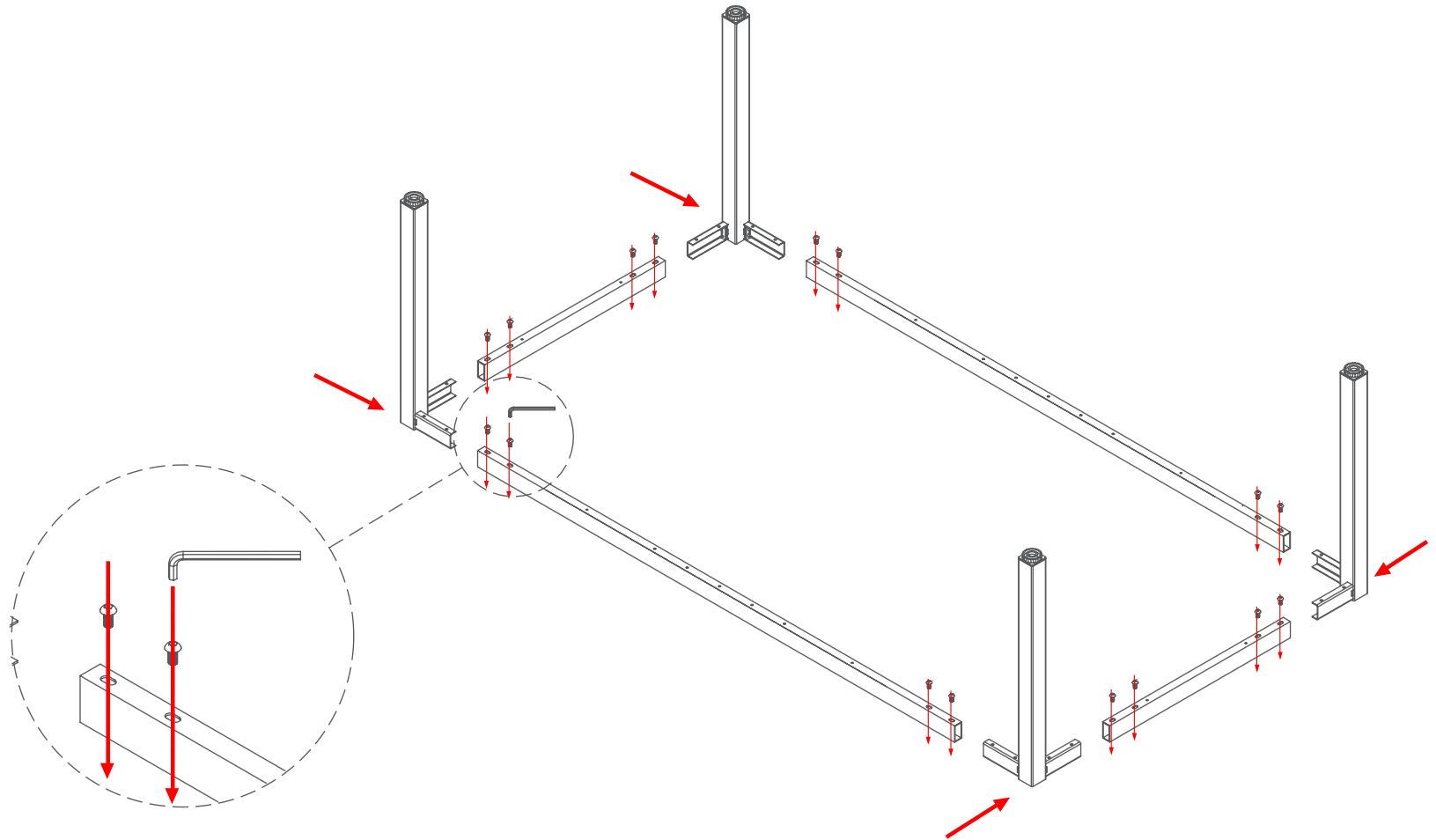
Axis Meeting Table

Assembly Instructions

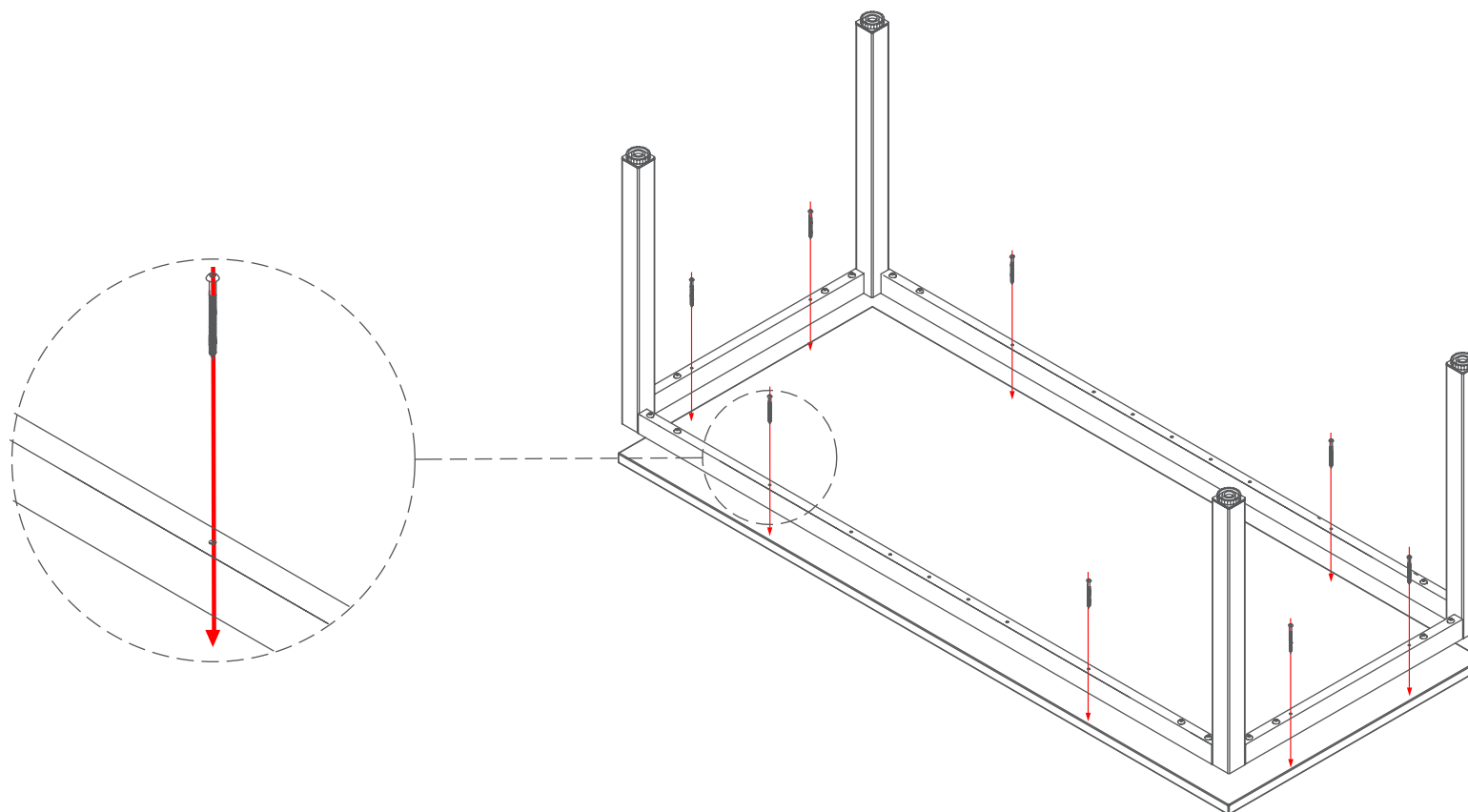
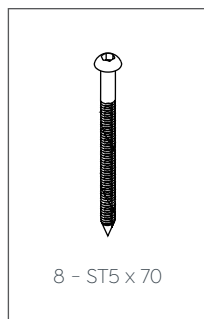
STEP 2:



16 - M8 x 16



STEP 3:



Axis Meeting Table

Complete

STEP 6:

