

Versa Lift Mounted Wall Switch Control Kit

1

MOUNTED WALL SWITCH CONTROL KIT INSTRUCTIONS:

To avoid system malfunction, DO NOT connect these controls to the power head until you complete all steps in the *Versa Lift Installation Guide* up to and INCLUDING Steps 8.1 thru 9.1!

↓ ↓ THEN FOLLOW THESE INSTRUCTIONS ↓ ↓

9.3. Mounted Wall Switches Control Kit Contents:

- ◆ Non-Locking Switch Plate (1)
- ◆ Key-Locking Switch Plate (1)
- ◆ 6-32 x 1/2" Flat Head Phillips Screws (4)
- ◆ Wall Plates with Screws, White (2)
- ◆ 10-ft. Upstairs Control Cord (1)
- ◆ 50-ft. Downstairs Control Cord (1)

9.4. Install the Non-Locking Wall Switch Upstairs

Plug the 10-ft control cord into the non-locking switch plate. Install the non-locking switch plate into a single gang wall box **upstairs** using two 6-32 x 1/2" flat head phillips screws (Fig. 1a). Tighten the screws lightly!

9.4. Install the Key-Locking Wall Switch Downstairs

Plug the 50-ft control cord into the key-locking switch plate. Install the key-locking switch plate into a single gang wall box **downstairs** using two 6-32 x 1/2" flat head phillips screws (Fig. 1b). Tighten the screws gently!

9.6. Plug in the Upstairs Wall Switch

Install the plug for the **upstairs** wall switch (10-ft.) control cord into the Lift Head **control port #2** (Fig. 1c).

9.7. Plug in the Downstairs Wall Switch

Install the plug for the **downstairs** wall switch (50-ft.) control cord into the Lift Head **control port #1** (Fig. 1c).

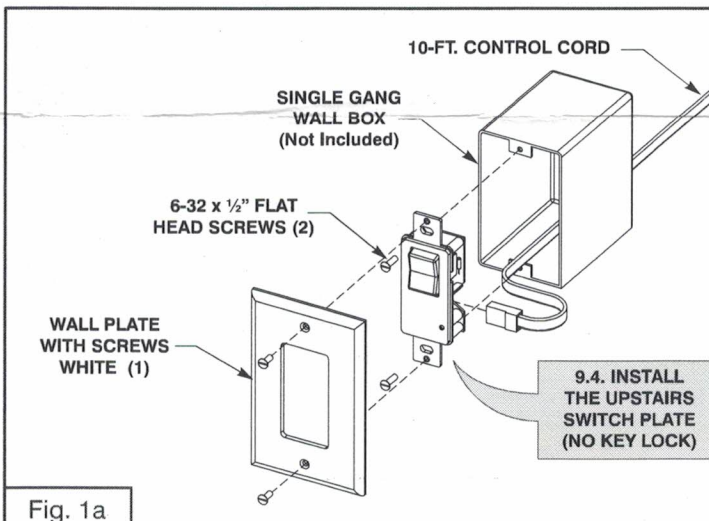


Fig. 1a

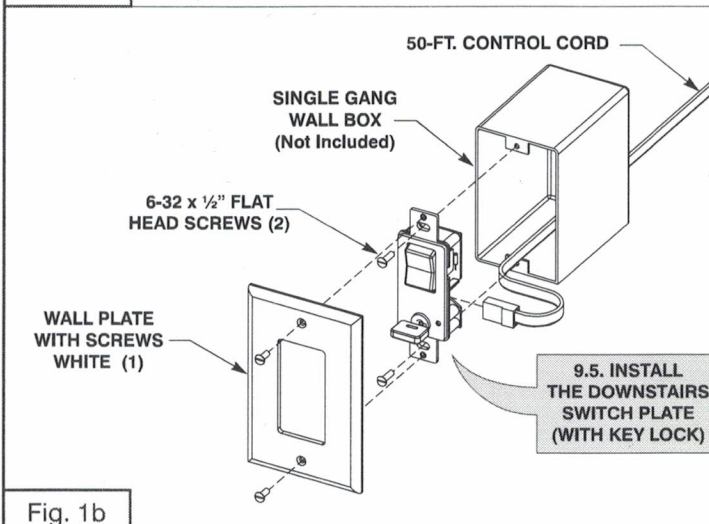


Fig. 1b

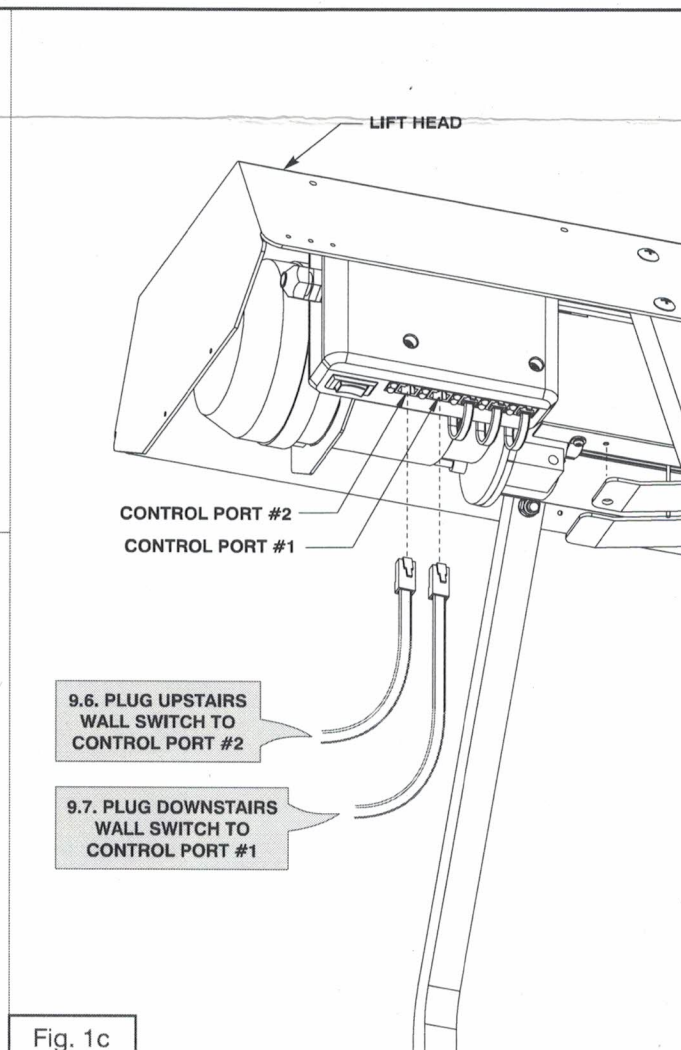
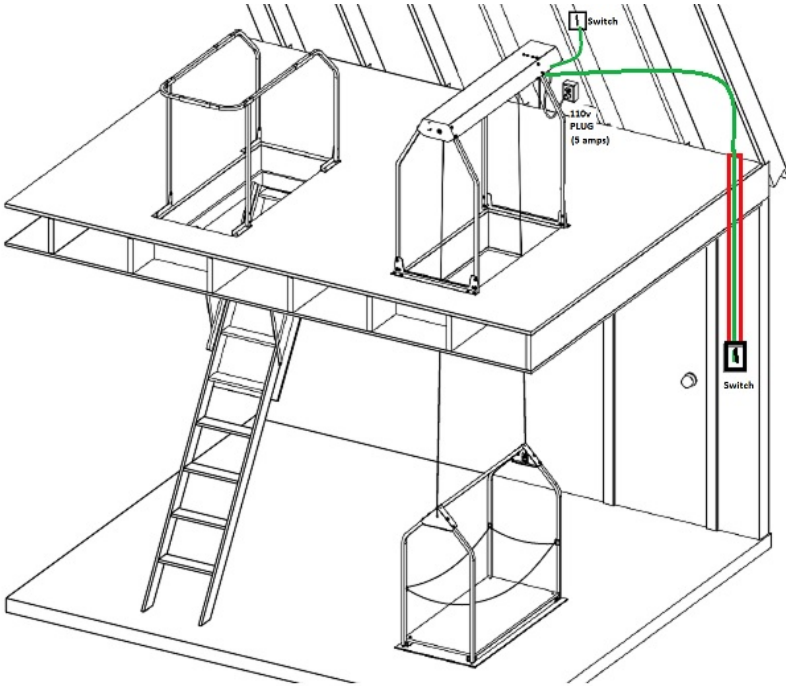


Fig. 1c

Versa Lift™

Attic Storage Lifting System



NOTE: For the "M" Series (two mounted switches) one goes upstairs, one Goes downstairs. We provide 45' of low voltage wire for the downstairs Switch and 15' of wire for the upstairs switch. The downstairs switch has a keylock which also disables the upstairs switch when locked.

When framing a new house under construction, run a SMURF PIPE (3/4" PVC) Down the wall so the electrician or installer can run the wire down the wall To a Single Gang Electrical Box below. This wire is plug and play, thus there is no need for electrician to run a wire down the wall for the switch. Install the upstairs switch on a nearby post, purlin, or rafter near the lift.

The 110v plug needs to be within 6' of the motor end of the lift to power the lift. Motor only pulls 5 amps, thus you can install the lift on the attic light circuit if desired so when you exit the attic and turn off the lights it kills the power to the lift to avoid power surges or lightning. If your light switch is in the ceiling however, you would have to climb up the ladder to power up the Lift thus check with your electrician.

THREE OPTIONS FOR SWITCHING (CONTROLS)

CORDED (15' CORD)



STANDARD PRICING

"M" MOUNTED WALL SWITCHES (2)



ADD \$250

WIRELESS



ADD \$450