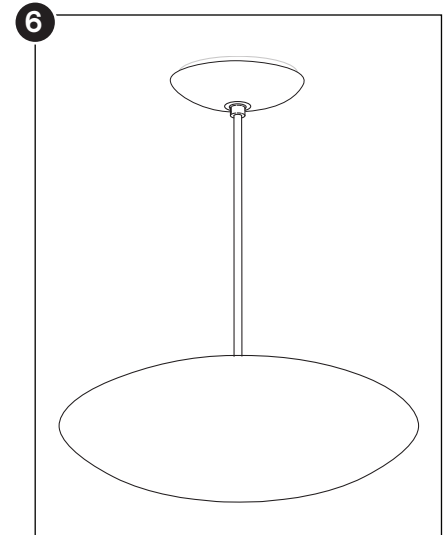
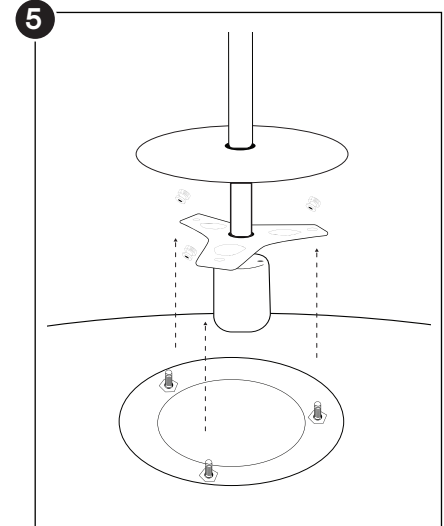
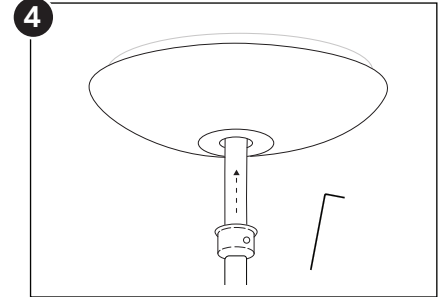
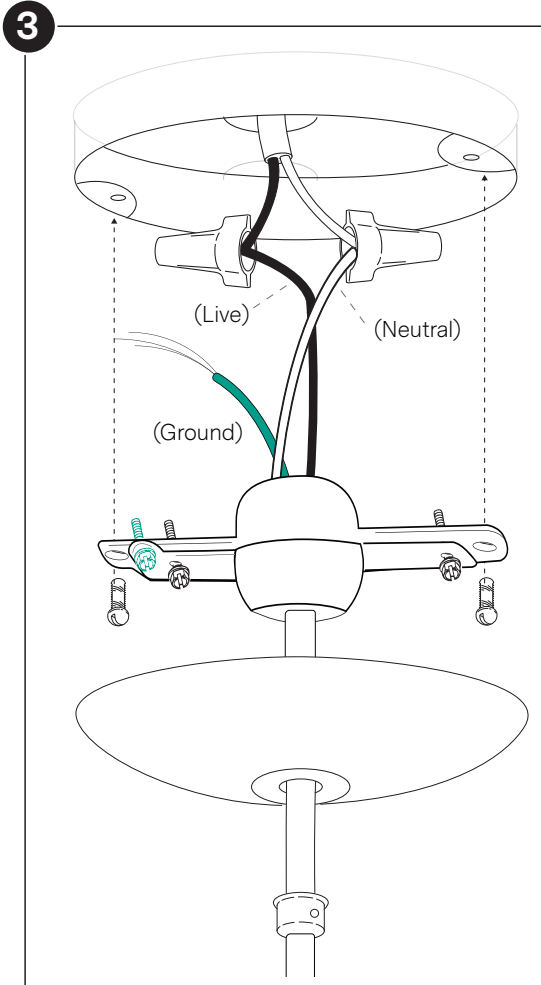
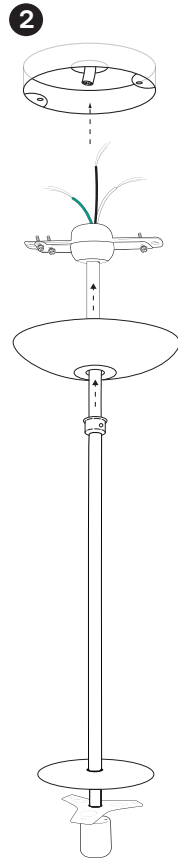
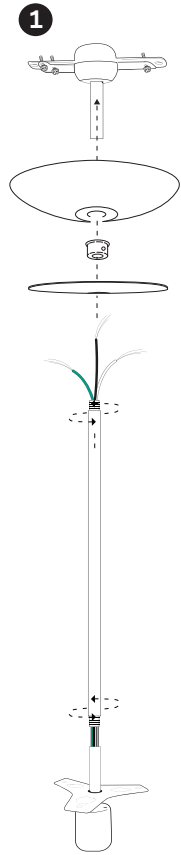
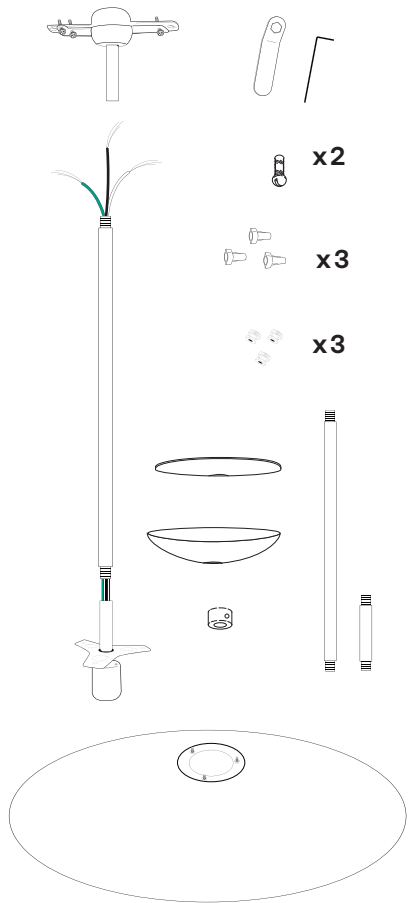


MODERNICA

CASE STUDY® PEARL LAMP - ELLIPSE INSTRUCTIONS



The installation of this kit is recommended to be performed by a professional.

Wiring instructions for pendant fixtures:

1. Disconnect power.
2. Connect black wire (Live) to black (Live) wire.
3. Connect white (Neutral) to white (Neutral).
4. Connect green wire (Ground) to green screw on gimbal bar.
5. Make sure all twist on wire connectors are attached.
6. Gimbal bar can now be attached to junction box.
7. See assembly diagram in box #3.
9. Turn on power.

Cleaning Instructions:

The surface should be dusted when needed with a soft dry cloth. To remove dirt or grease, use water with a mild soap. Rub gently using a soft white cloth or paper towel. Do NOT use solvent-based cleaners, or glass cleaners, on this product.



