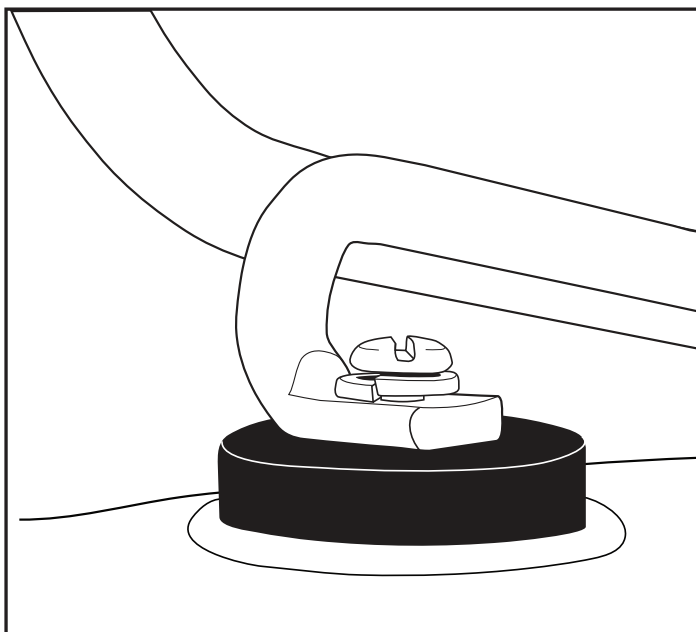
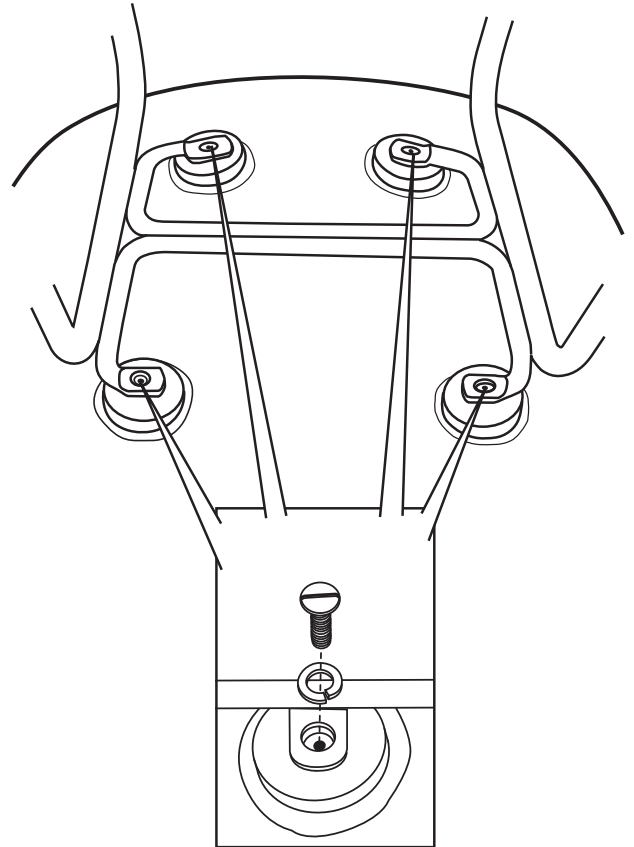
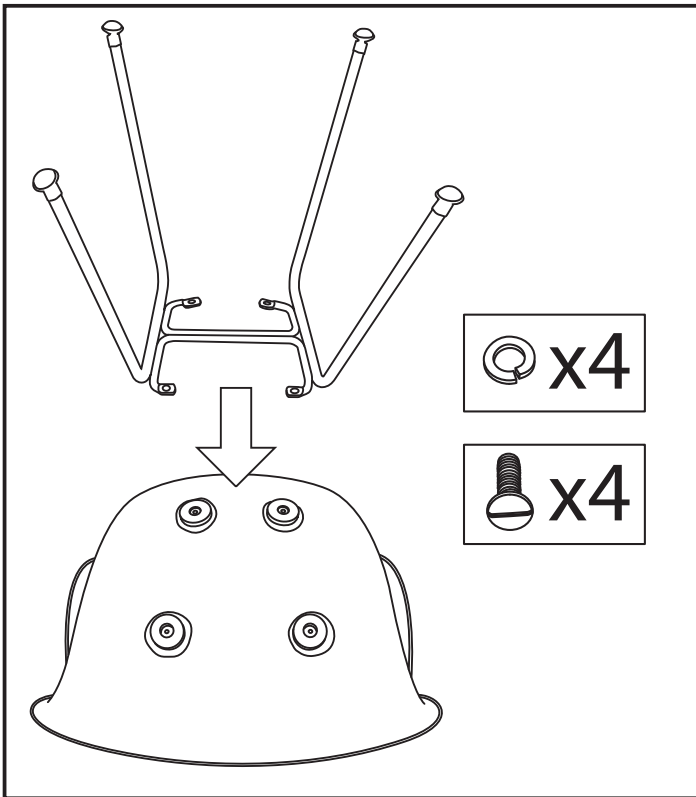


Assembly instructions for **Arm and Side** shell chair bases



Thread all 4 screws lightly by hand to allow movement of base before tightening all 4 screws evenly with screw driver.

Do not over tighten as this may damage chair.