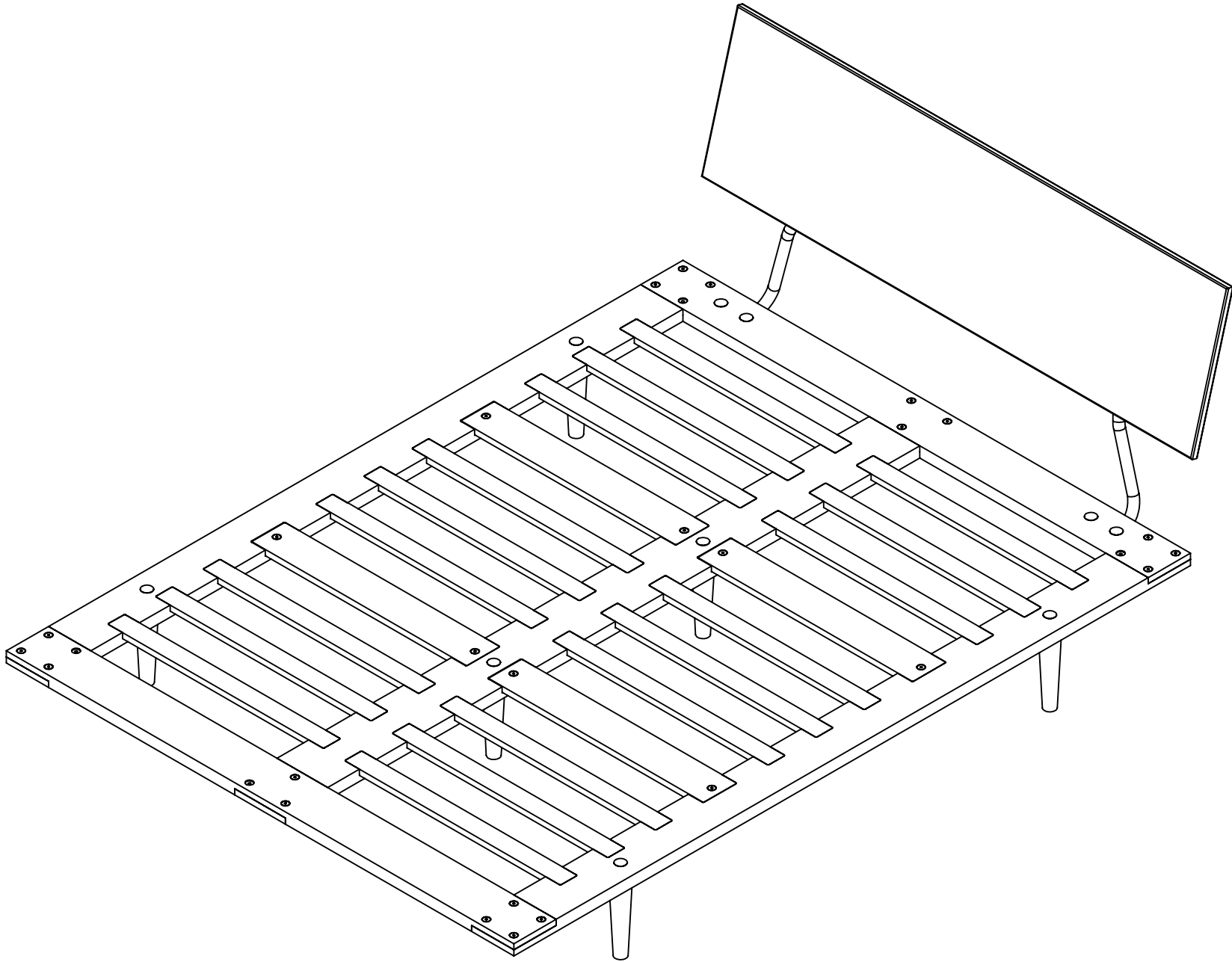


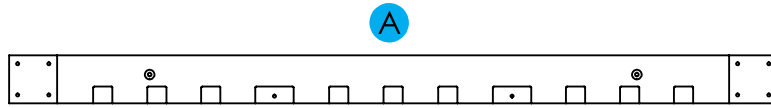
Case Study Furniture® Solid Wood Knock Down Fastback (King Size)



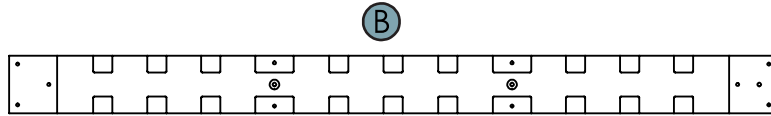
Case Study Furniture® Solid Wood Knock Down Fastback (King Size)

Parts List

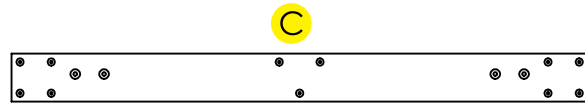
Side Rails
(2 pieces)



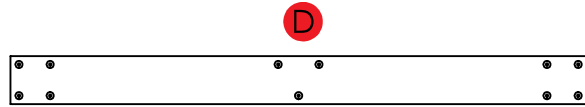
Center Rail
(1 piece)



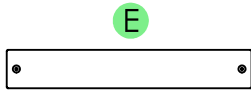
Head Rail
(1 piece)



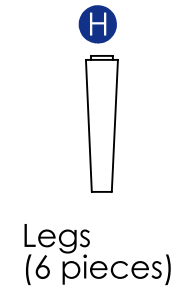
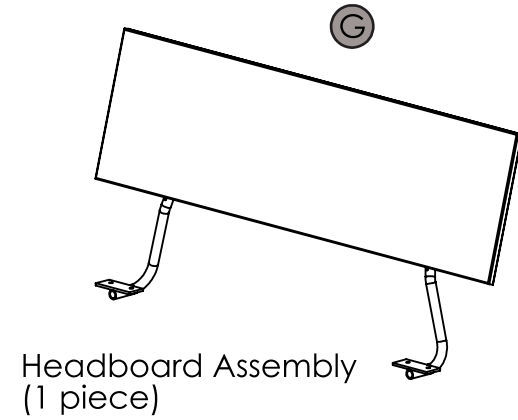
Foot Rail
(1 piece)



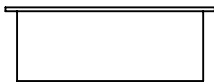
Cross Brace
(4 pieces)



Slats
(18 pieces)

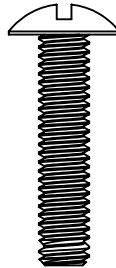


1



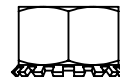
Plastic Cap
(10 pieces)

2



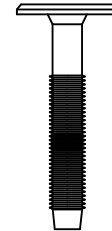
Hardware Screws
(10 pieces)

3



Hardware Nuts
(4 pieces)

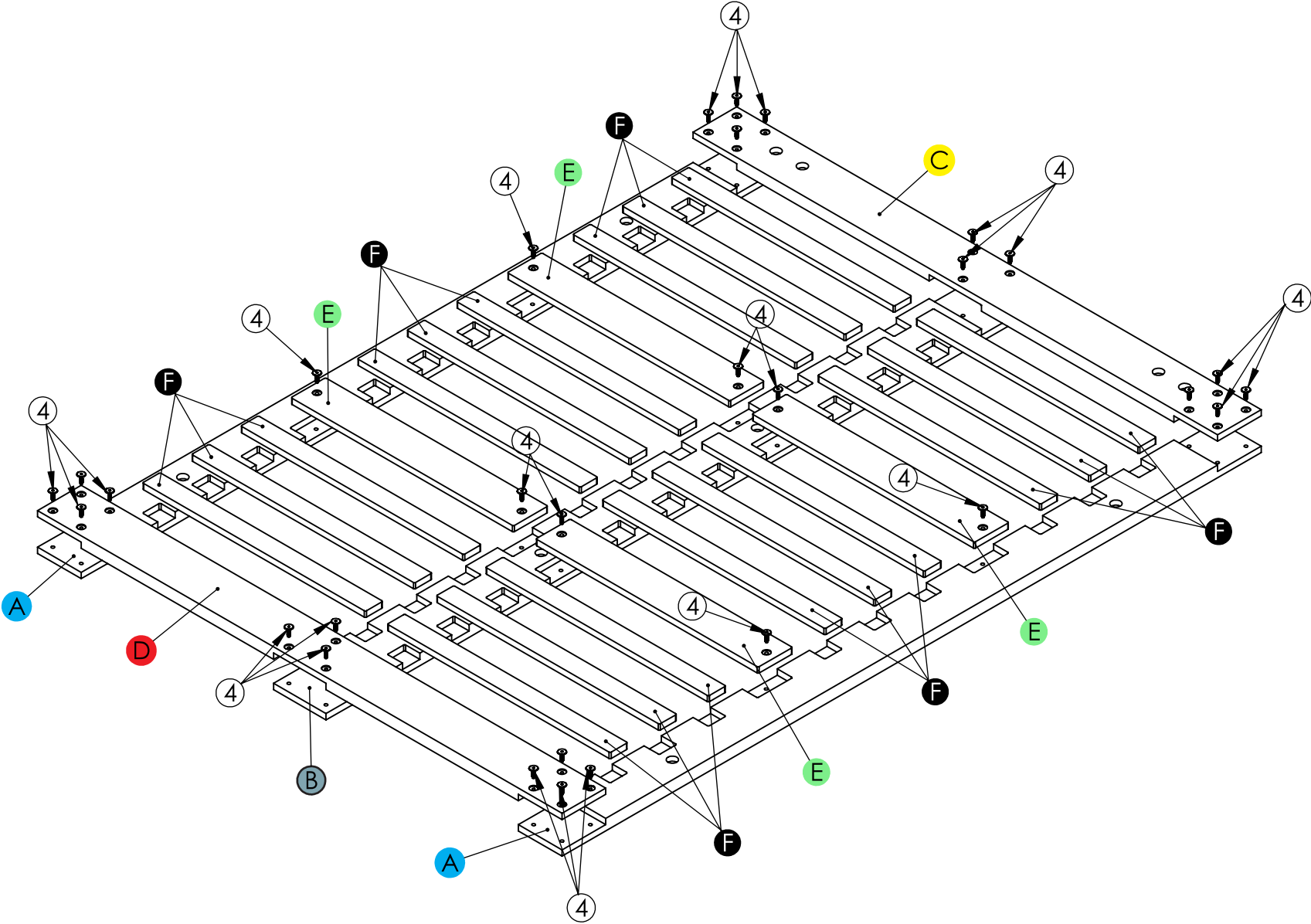
4



Platform Screws
(30 pieces)

Case Study Furniture® Solid Wood Knock Down Fastback (King Size)

Assembly Sheet 1 (Platform)



Case Study Furniture® Solid Wood Knock Down Fastback (King Size)

Assembly Sheet 2 (Legs and Headboard)

