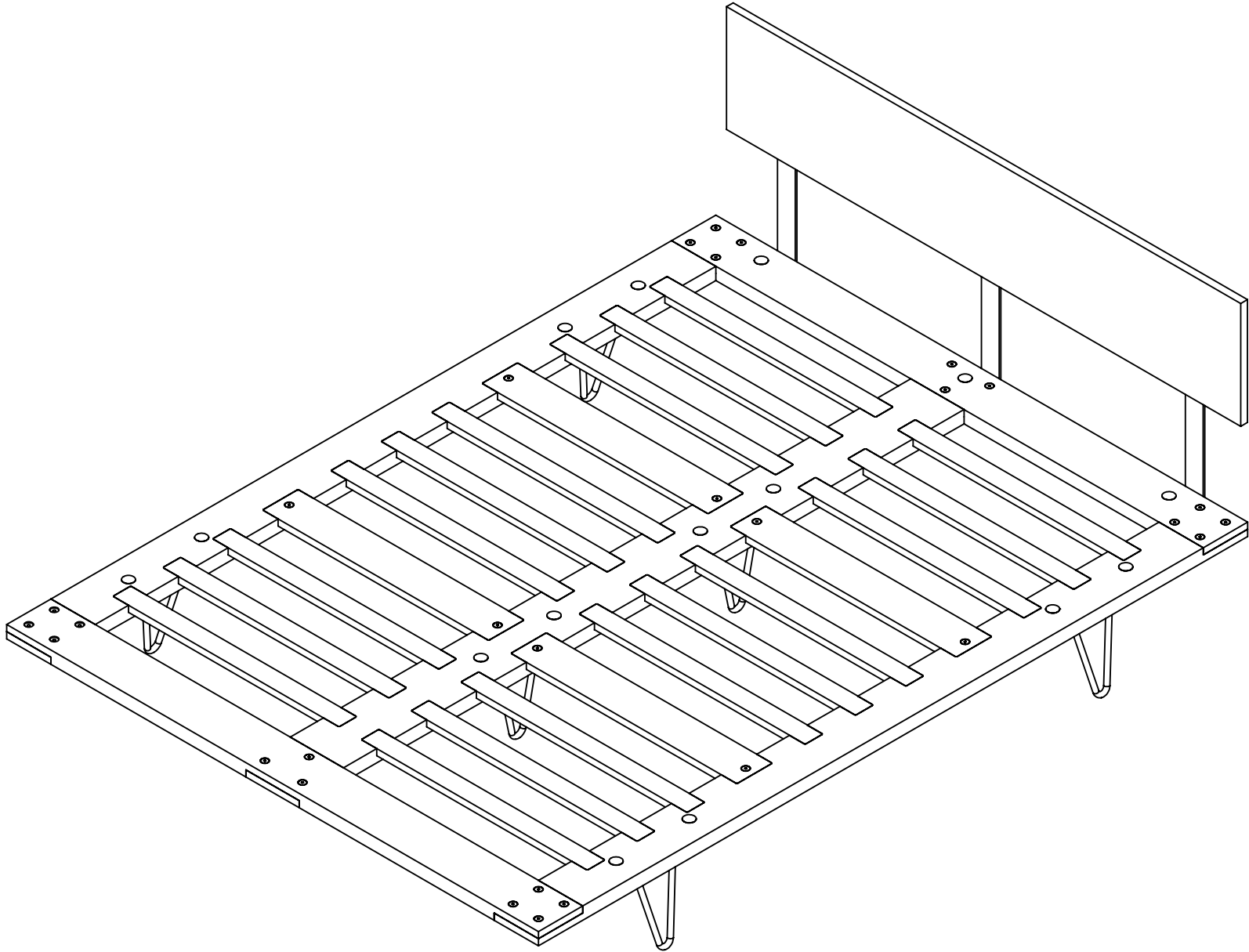


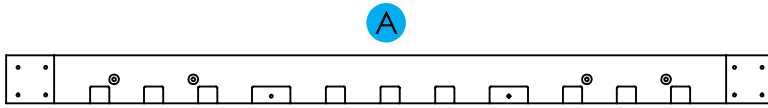
Case Study Furniture® Knock Down V-Leg (Queen Size)



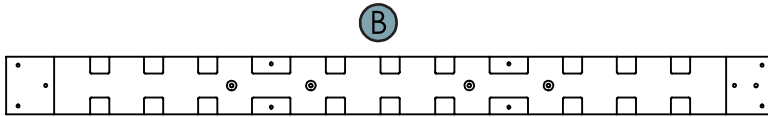
# Case Study Furniture® Knock Down V-Leg (Queen Size)

## Parts List

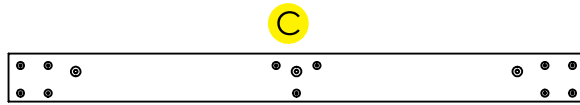
Side Rails  
(2 pieces)



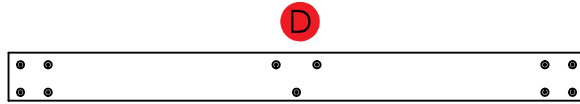
Center Rail  
(1 piece)



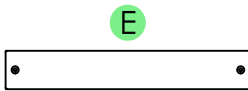
Head Rail  
(1 piece)



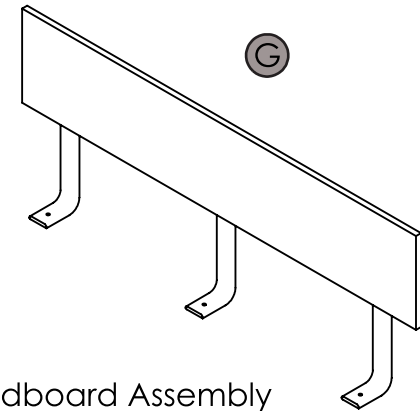
Foot Rail  
(1 piece)



Cross Brace  
(4 pieces)



Slats  
(18 pieces)



Headboard Assembly  
(1 piece)

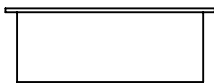


Center Legs  
(2 pieces)



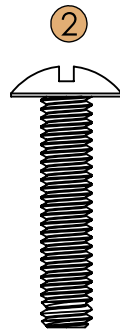
Side Legs  
(4 pieces)

①



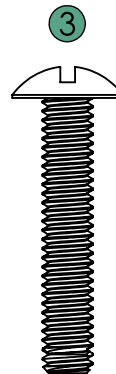
Plastic Cap  
(15 pieces)

②



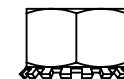
Leg Screws  
(12 pieces)

③



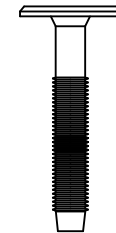
Headboard Screws  
(3 pieces)

④



Hardware Nuts  
(15 pieces)

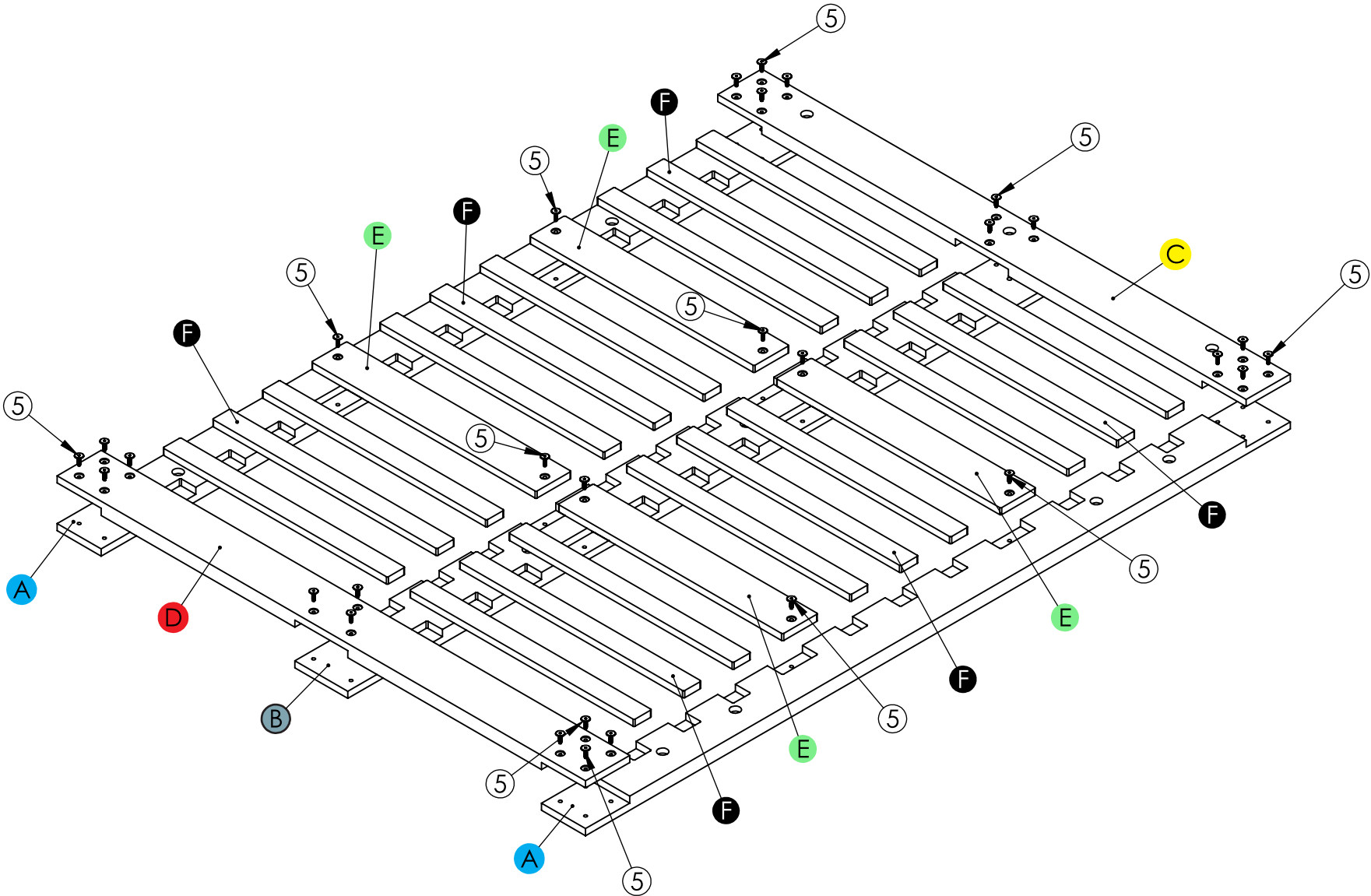
⑤



Platform Screws  
(30 pieces)

# Case Study Furniture® Knock Down V-Leg (Queen Size)

## Assembly Sheet 1 (Platform)



# Case Study Furniture® Knock Down V-Leg (Queen Size)

## Assembly Sheet 2 (Legs and Headboard)

