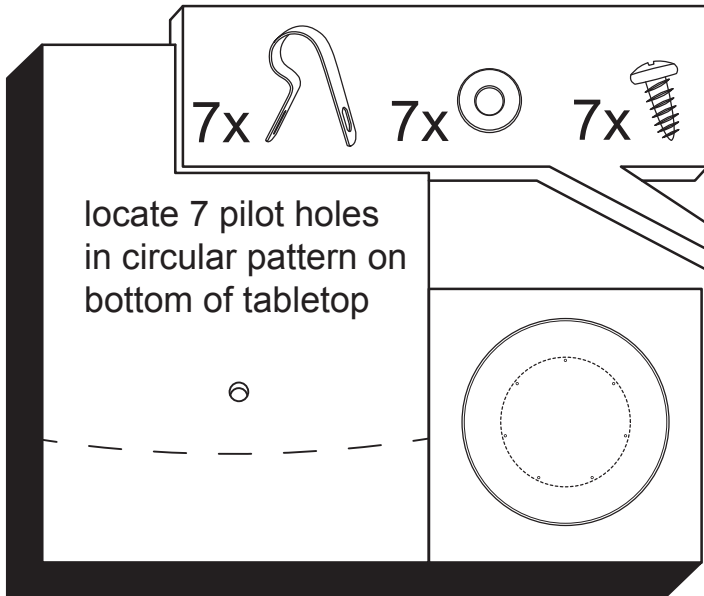
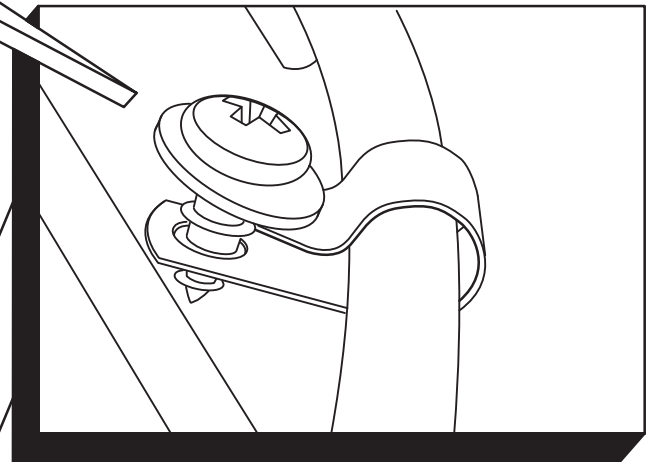


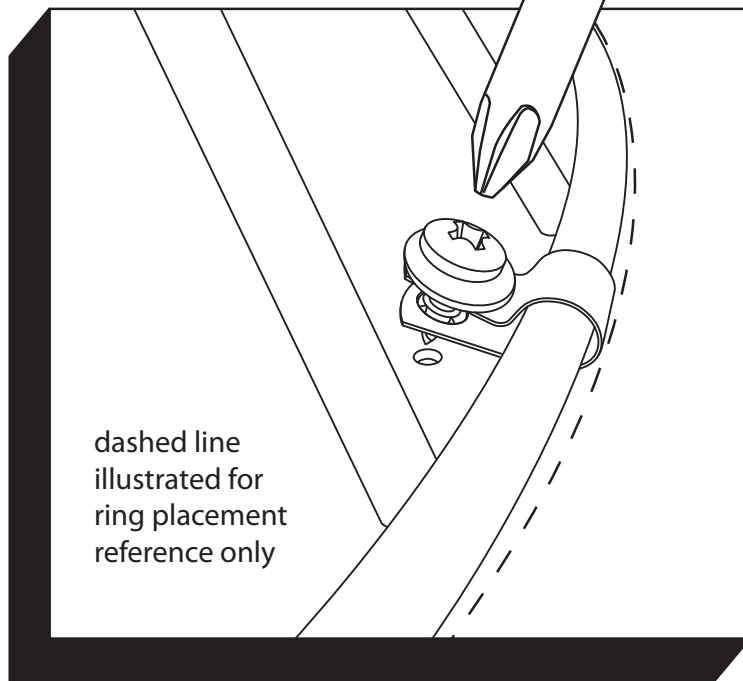
ASSEMBLY INSTRUCTIONS FOR CYCLONE TABLES



place each binder clip on the ring
between each V-shaped support and
insert a screw with a washer on it



with the ring concentric to the
circular tabletop, align the screws
with the pilot holes and use a
Phillips screwdriver to tighten
the screws into the pilot holes



**NOTE: DO NOT OVER-
TIGHTEN SCREWS !!!**

