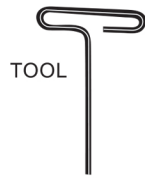


# ALPINE BED ASSEMBLY INSTRUCTIONS

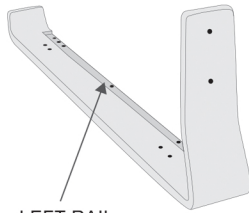
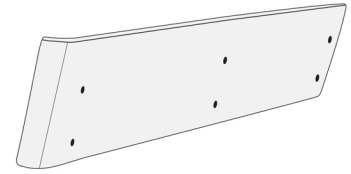
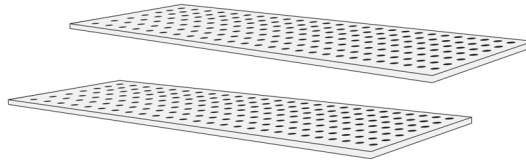
2 PLATFORM PANELS

HEAD BOARD

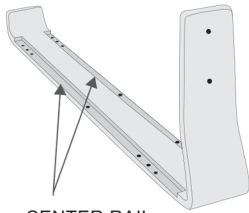
#1 - QTY. 12



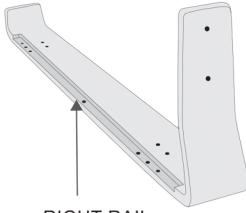
#2 - QTY. 30



LEFT RAIL  
HAS 1 WOOD GROOVE

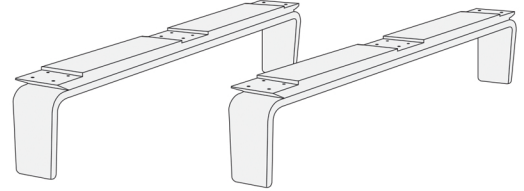


CENTER RAIL  
HAS 2 WOOD GROOVES



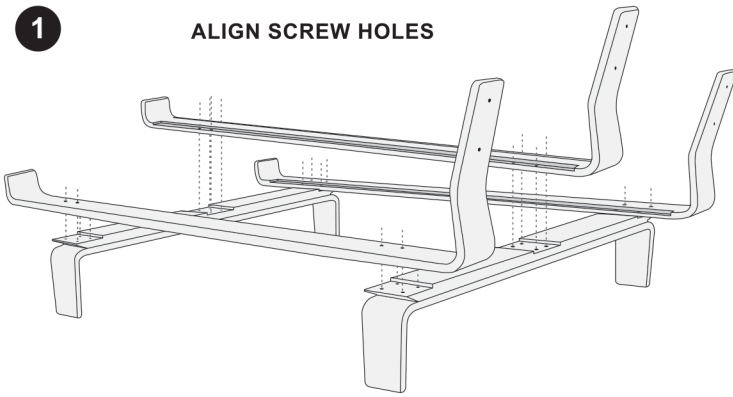
RIGHT RAIL  
HAS 1 WOOD GROOVE

2 LEG SUPPORTS



1

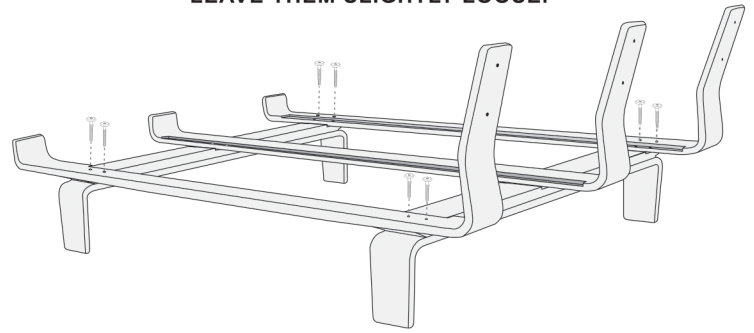
ALIGN SCREW HOLES



2

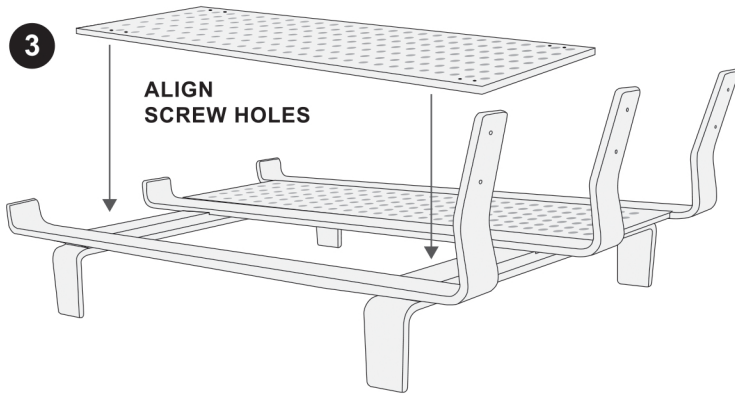
#2 SCREWS USED ON SIDE RAILS.

DO NOT TIGHTEN SCREWS ALL THE WAY YET.  
LEAVE THEM SLIGHTLY LOOSE.



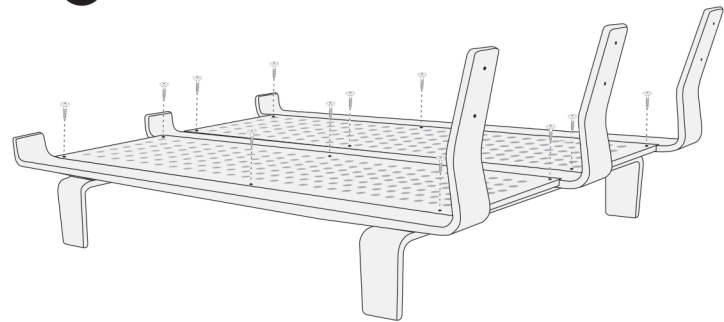
3

ALIGN  
SCREW HOLES



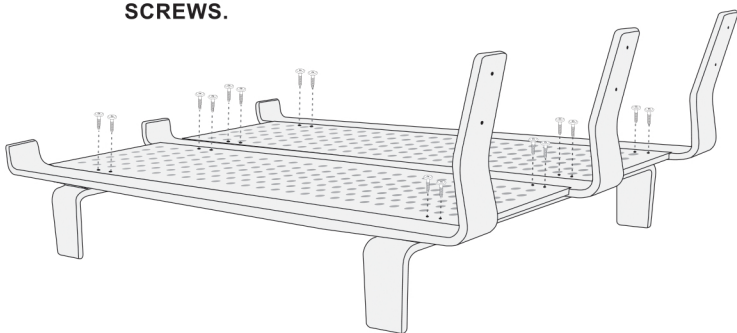
4

#1 SCREWS USED ON PANEL CORNERS AND  
CENTER



5

#2 SCREWS USED ON PLATFORM PANELS.  
TIGHTEN ALL SCREWS, INCLUDING THE RAIL  
SCREWS.



6

FINISHED

TOP HOLES ARE 5 INCHES FROM THE TOP OF HEADBOARD.  
START THE SCREWS ON THE CENTER RAIL FIRST TO HOLD THE HEADBOARD IN PLACE.  
IF HOLES DON'T ALIGN, FLEX THE RAILS TO ALIGN HOLES TO THE HEADBOARD.

#2 SCREWS  
USED ON HEADBOARD

