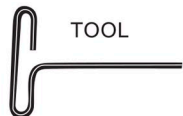


KING ALPINE BED ASSEMBLY INSTRUCTIONS

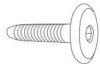
2 PLATFORM PANELS

3 LEG SUPPORTS

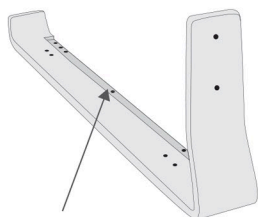
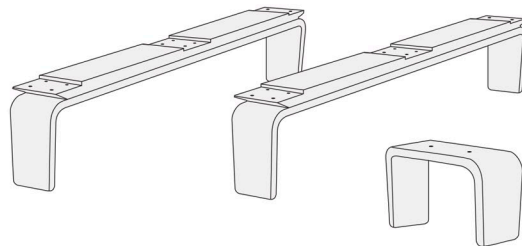
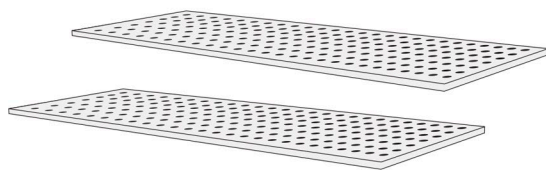


TOOL

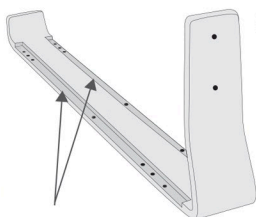
#1 - QTY. 12



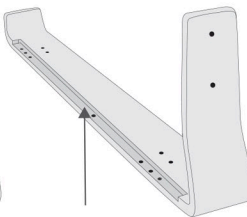
#2 - QTY. 32



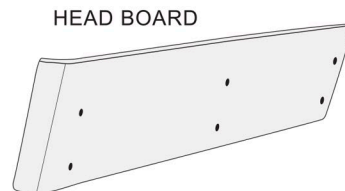
LEFT RAIL
HAS 1 WOOD GROOVE



CENTER RAIL
HAS 2 WOOD GROOVES



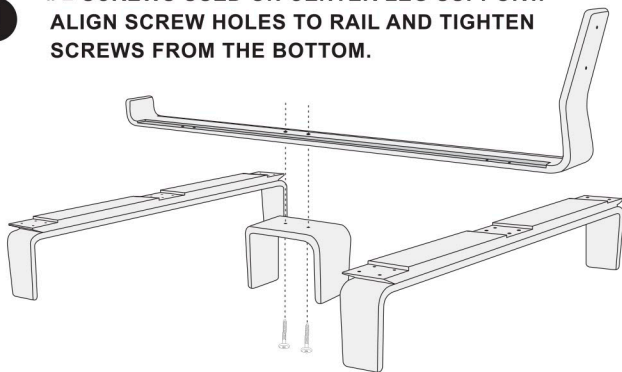
RIGHT RAIL
HAS 1 WOOD GROOVE



HEAD BOARD

1

#2 SCREWS USED ON CENTER LEG SUPPORT.
ALIGN SCREW HOLES TO RAIL AND TIGHTEN
SCREWS FROM THE BOTTOM.



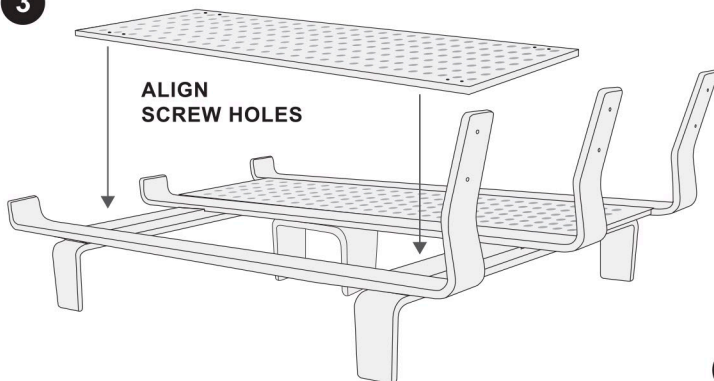
2

#2 SCREWS USED ON SIDE RAILS.
DO NOT TIGHTEN SCREWS ALL THE WAY YET.
LEAVE THEM SLIGHTLY LOOSE.



3

ALIGN
SCREW HOLES



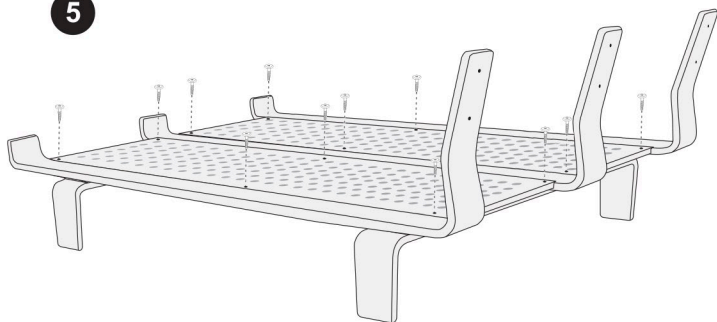
4

#2 SCREWS USED ON PLATFORM PANELS.
TIGHTEN ALL SCREWS, INCLUDING THE RAIL
SCREWS.



5

#1 SCREWS USED ON PANEL CORNERS AND
CENTER



6

FINISHED

TOP HOLES ARE 5 INCHES FROM THE TOP OF HEADBOARD.
START THE SCREWS ON THE CENTER RAIL FIRST TO HOLD THE HEADBOARD IN PLACE.
IF HOLES DON'T ALIGN, FLEX THE RAILS TO ALIGN HOLES TO THE HEADBOARD.

#2 SCREWS
USED ON HEADBOARD

